

3-conductor ground terminal block

Item No.: 281-637



3-conductor ground terminal block

Marking

RoHS ✓
Compliant

Business data

| | |
|----------------------|---------------|
| Supplier | WAGO |
| Item no. | 281-637 |
| GTIN / EAN | 4045454084516 |
| Content | 1 |
| Order amount | 100 |
| Customer item number | |

Notes

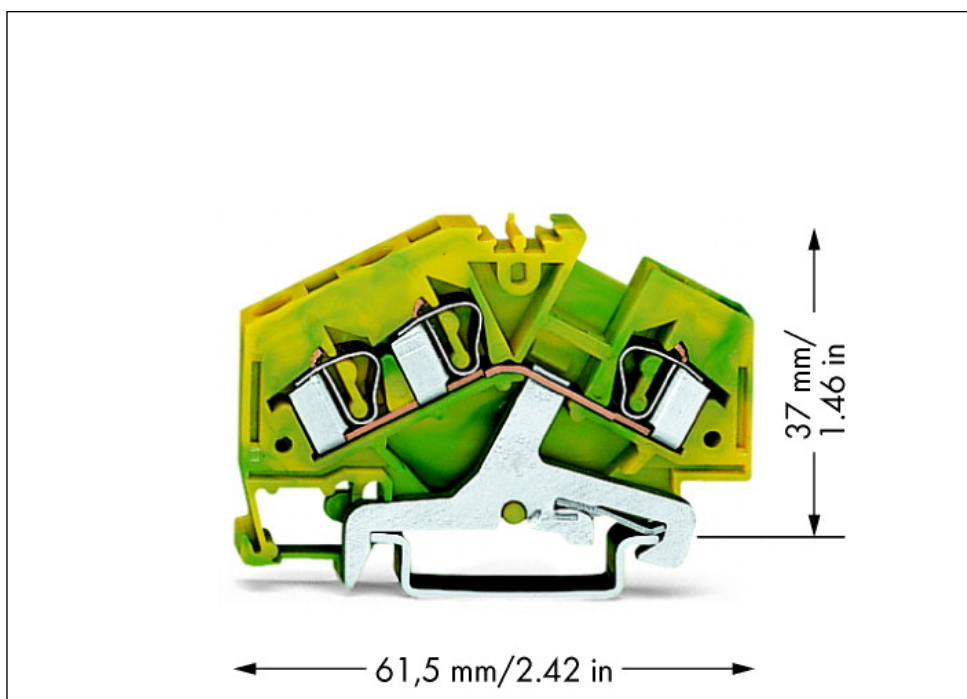
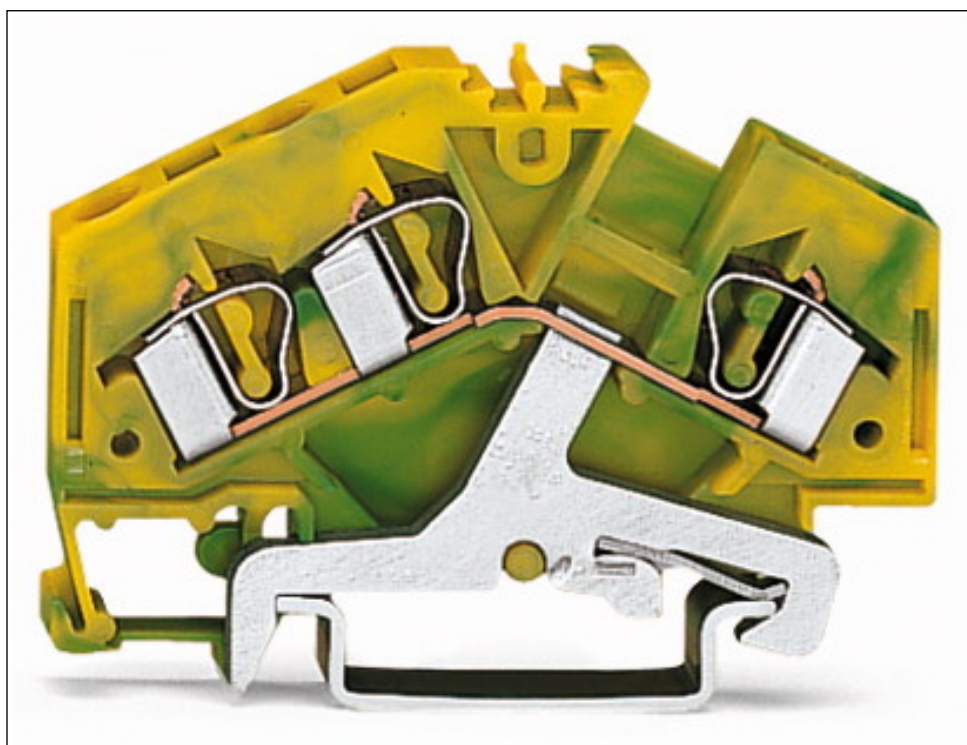
Technical data

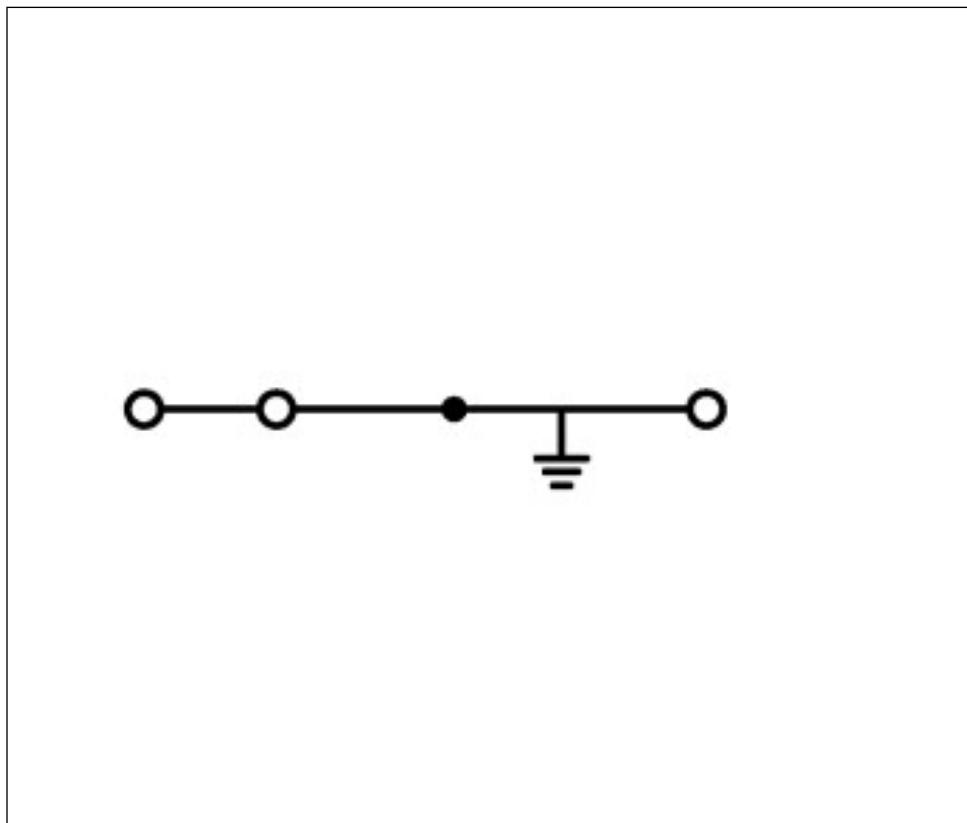
Miscellaneous

| | |
|-----------------------------------|--|
| Total number of connection points | 3 |
| Total number of potentials | 1 |
| Color | green-yellow |
| Ratings according to 1 | IEC/EN 60947-7-2 |
| Connection technology (1) | CAGE CLAMP® |
| Solid sizes 1 | 0.08 ... 4 mm ² / 28 ... 12 AWG |
| Fine-stranded wires 1 | 0.08 ... 4 mm ² / 28 ... 12 AWG |
| Strip length 1 | 9 ... 10 mm / 0.35 ... 0.39 in |
| Type of wiring | Front-entry wiring |
| Design | angled |

| Technical data | |
|--|-----------------------------|
| <i>Marking level</i> | <i>Center marking</i> |
| <i>Insulating material</i> | <i>Polyamide 66 (PA 66)</i> |
| <i>Fire load [MJ]</i> | <i>0.182 [MJ]</i> |
| <i>Weight [g]</i> | <i>16.106 [g]</i> |
| <i>Width</i> | <i>6 mm / 0.236 in</i> |
| <i>Height from upper-edge of DIN-rail [mm]</i> | <i>37 [mm]</i> |
| <i>Height from upper-edge of DIN-rail</i> | <i>37 mm / 1.457 in</i> |
| <i>Length</i> | <i>61.5 mm / 2.421 in</i> |
| <i>Type of mounting</i> | <i>DIN 35 rail</i> |

Images & drawings





Address

WAGO Kontakttechnik GmbH & Co. KG

Hansastr. 27

32423 Minden

Telefon: 0571/887-0

Fax: 0571/887-169

<http://www.wago.com>

© WAGO Kontakttechnik GmbH & Co. KG

Technische Änderungen und Irrtümer vorbehalten.