

Printview: 2-conductor Ex e II terminal strip; with fixing flanges; for screw or similar mounting types; fixing hole 3.2 mm Ø; with 209-123 mounting carrier for DIN 35 rail; suitable for Ex e II applications; 12-pole -
Item No.: 262-142

WAGO® online catalog / eShop

2-conductor Ex e II terminal strip; with fixing flanges; for screw or similar mounting types; fixing hole 3.2 mm Ø; with 209-123 mounting carrier for DIN 35 rail; suitable for Ex e II applications; 12-pole

Item No.: 262-142



2-conductor Ex e II terminal strip; with fixing flanges; for screw or similar mounting types; fixing hole 3.2 mm Ø; with 209-123 mounting carrier for DIN 35 rail; suitable for Ex e II applications; 12-pole

Marking

RoHS ✓
Compliant

Business data

Supplier	WAGO
Item no.	262-142
GTIN / EAN	4044918640015
Content	1
Order amount	25
Customer item number	

Notes

Technical data

Miscellaneous

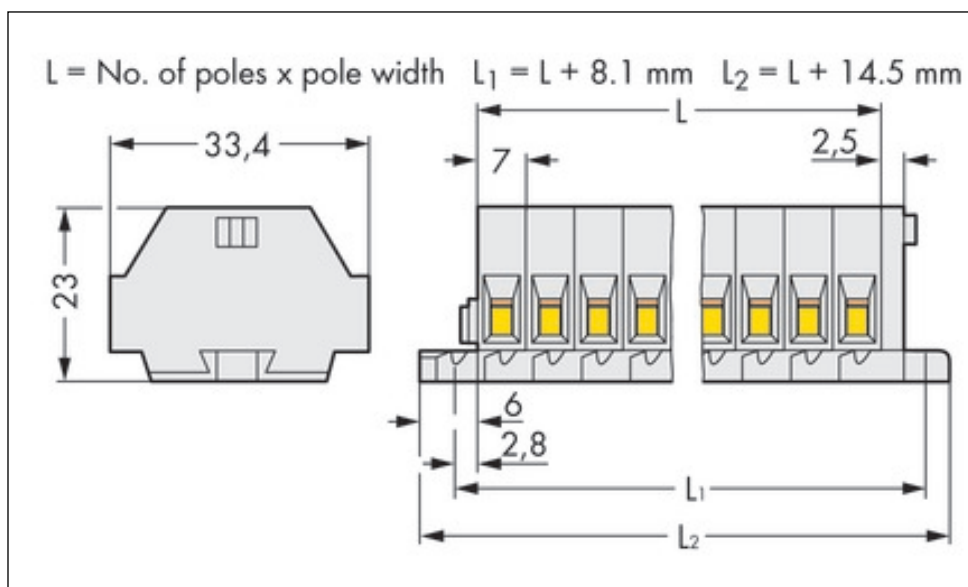
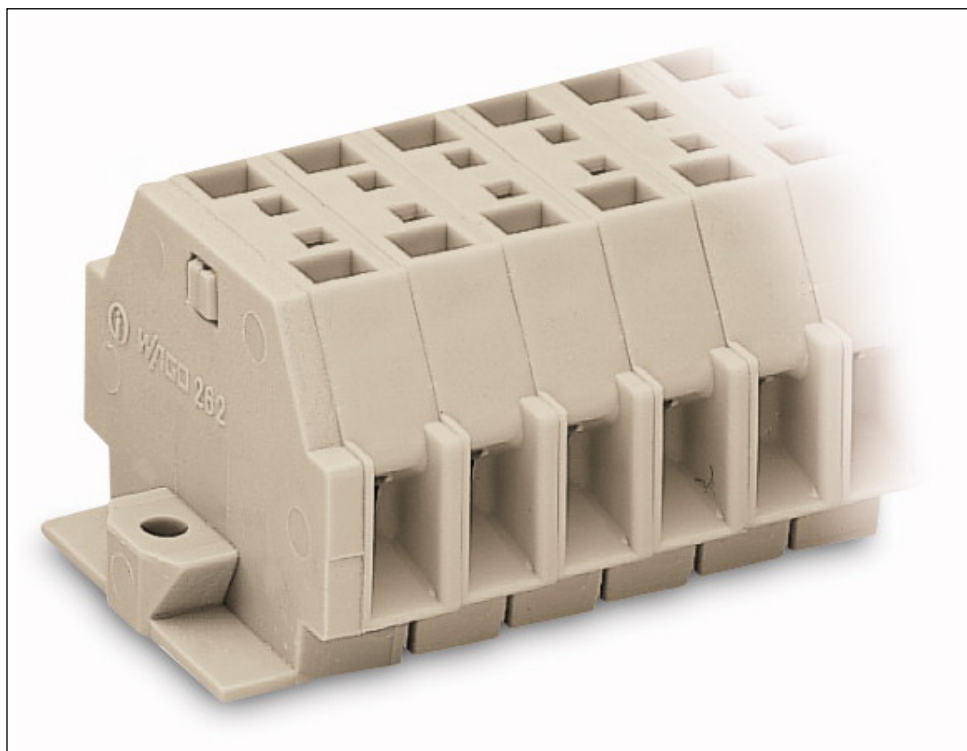
No. of poles	12
Total number of connection points	24
Total number of potentials	12
Color	light gray
Rated voltage EN (1) [V]	550 [V]
Nominal current [A]	23 [A]
Connection technology (1)	CAGE CLAMP®

Printview: 2-conductor Ex e II terminal strip; with fixing flanges; for screw or similar mounting types; fixing hole 3.2 mm Ø; with 209-123 mounting carrier for DIN 35 rail; suitable for Ex e II applications; 12-pole - Item No.: 262-142

Technical data	
<i>Solid sizes 1</i>	<i>0.5 ... 4 mm² / 20 ... 12 AWG</i>
<i>Fine-stranded wires 1</i>	<i>0.5 ... 4 mm² / 20 ... 12 AWG</i>
<i>Strip length 1</i>	<i>9 ... 10 mm / 0.35 ... 0.39 in</i>
<i>Type of wiring</i>	<i>Side-entry wiring</i>
<i>Design</i>	<i>horizontal</i>
<i>Marking level</i>	<i>Side marking</i>
<i>Fire load [MJ]</i>	<i>0.98 [MJ]</i>
<i>Weight [g]</i>	<i>53.805 [g]</i>
<i>Width</i>	<i>98.5 mm / 3.878 in</i>
<i>Height from the surface</i>	<i>23 mm / 0.906 in</i>
<i>Length</i>	<i>33.5 mm / 1.319 in</i>
<i>Module width [mm]</i>	<i>7 [mm]</i>
<i>Module width [inch] [inch]</i>	<i>0.276 [inch]</i>

Printview: 2-conductor Ex e II terminal strip; with fixing flanges; for screw or similar mounting types; fixing hole 3.2 mm Ø; with 209-123 mounting carrier for DIN 35 rail; suitable for Ex e II applications; 12-pole -
Item No.: 262-142

Images & drawings



Printview: 2-conductor Ex e II terminal strip; with fixing flanges; for screw or similar mounting types; fixing hole 3.2 mm Ø; with 209-123 mounting carrier for DIN 35 rail; suitable for Ex e II applications; 12-pole -
Item No.: 262-142

Address

WAGO Kontakttechnik GmbH & Co. KG

Hansastr. 27

32423 Minden

Telefon: 0571/887-0

Fax: 0571/887-169

<http://www.wago.com>

© WAGO Kontakttechnik GmbH & Co. KG

Technische Änderungen und Irrtümer vorbehalten.