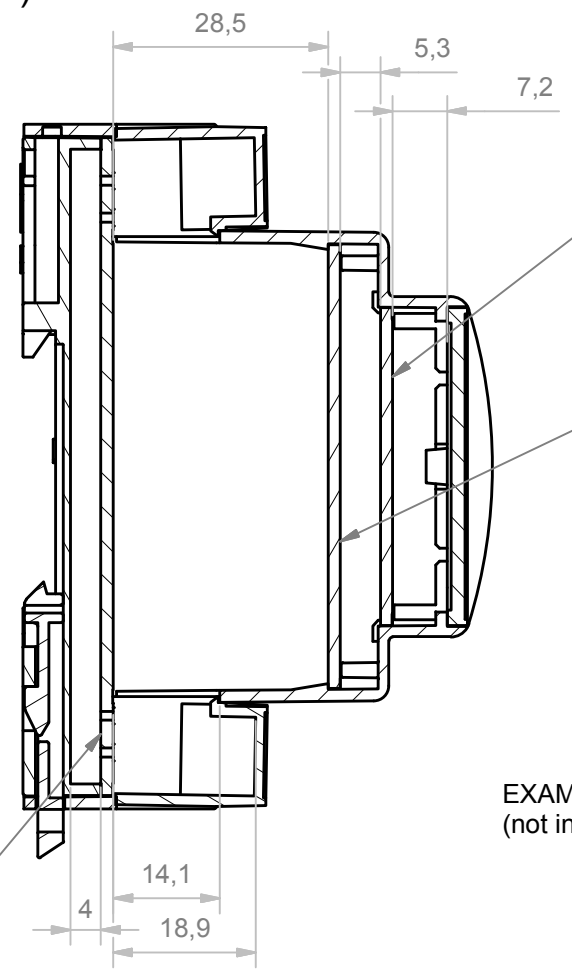


A-A (1:1)

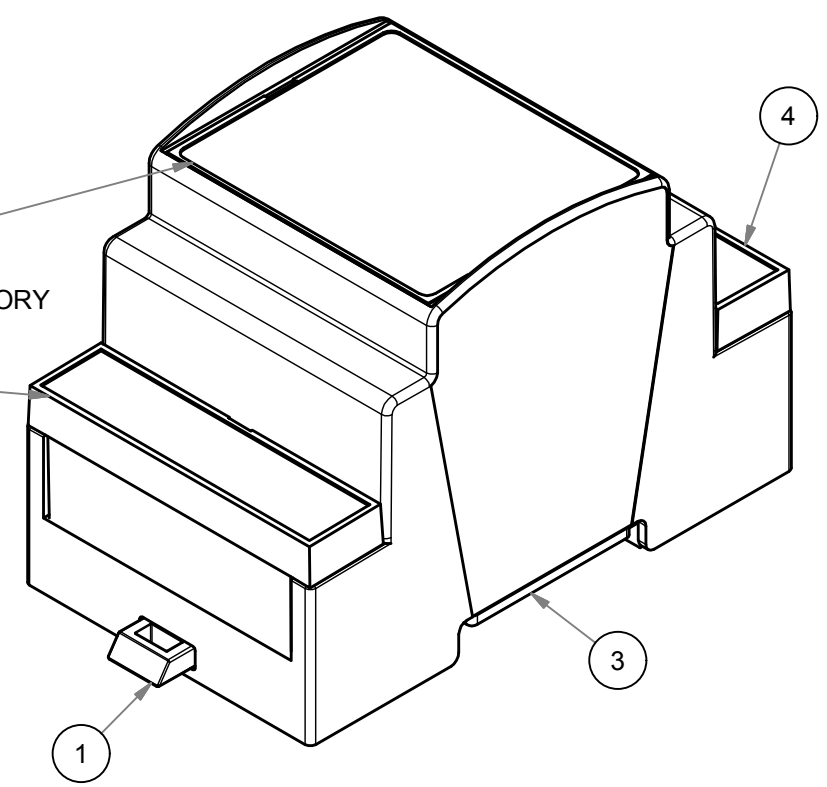


PCB "C" POSITION
(NOT SUPPLIED)

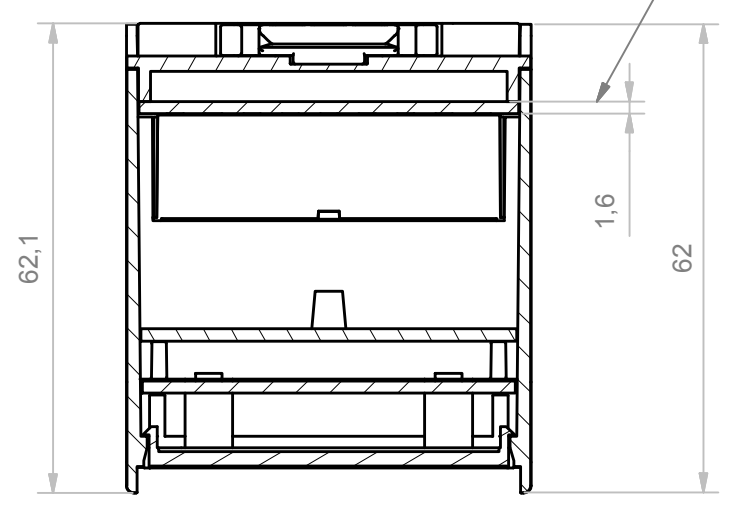
PCB "B" POSITION
(NOT SUPPLIED)

PCB "A" POSITION
(NOT SUPPLIED)

EXAMPLE OF ACCESSORY
(not included in kyt)



B-B (1:1)



RIF.	Q.TY	DESCRIPTION	CODE
1	1	HOOK MODULBOX LONG	M-01900
2	1	BODY MODULBOX XTS 3MH53-A	M-02589
3	1	BASE MODULBOX XTS 3M	M-01982
4	2	TERMINAL COVER 3MPN	M-00255
5	1	PANEL 3M WITH FRAME	M-00350

RESERVED PROPERTY: The present drawing cannot be reproduced or communicated to 3d parties, even partially, without the authorization of ITALTRONIC Srl. Italtronic reserves to protect its own rights according to the law.

GENERAL TOLERANCE	UNI EN 22768/1 Media (m)	Drawn:	Checked:	Revision description
SHEET NR.	Dimension in mm	DRAWING BY	Date:	Scale: 1 : 1
1 / 1		 Manual modification are not allowed	09/06/2016	Part number:
 UN PARTNER PER IL FUTURO		Denomination: CONTENITORE COMPLETO MODULBOX XTS 3MH53-A COMPLETE ENCLOSURE MODULBOX XTS 3MH53-A		Drawing nr.
		 ITALTRONIC S.R.L. VIA AUSTRIA 25/D 35127 PADOVA - ITALY www.italtronic.com		M-04072-01