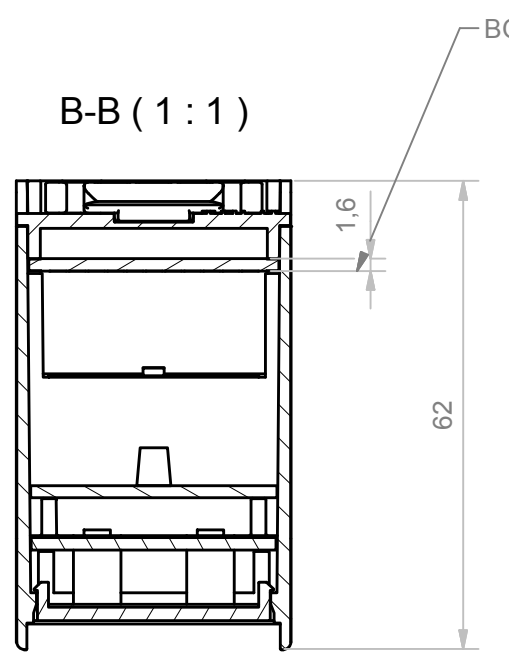
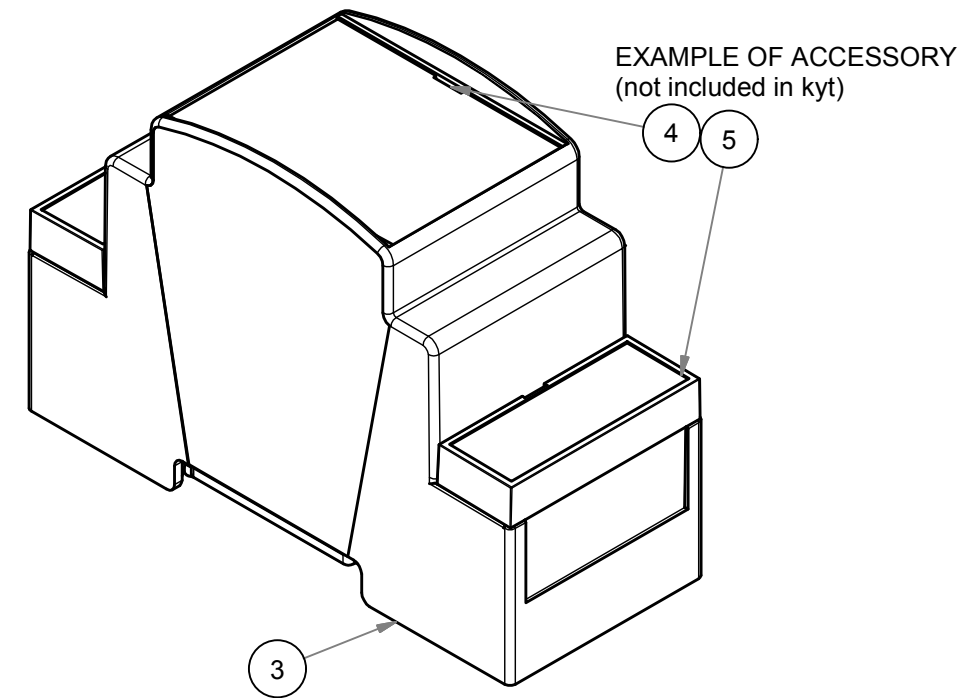
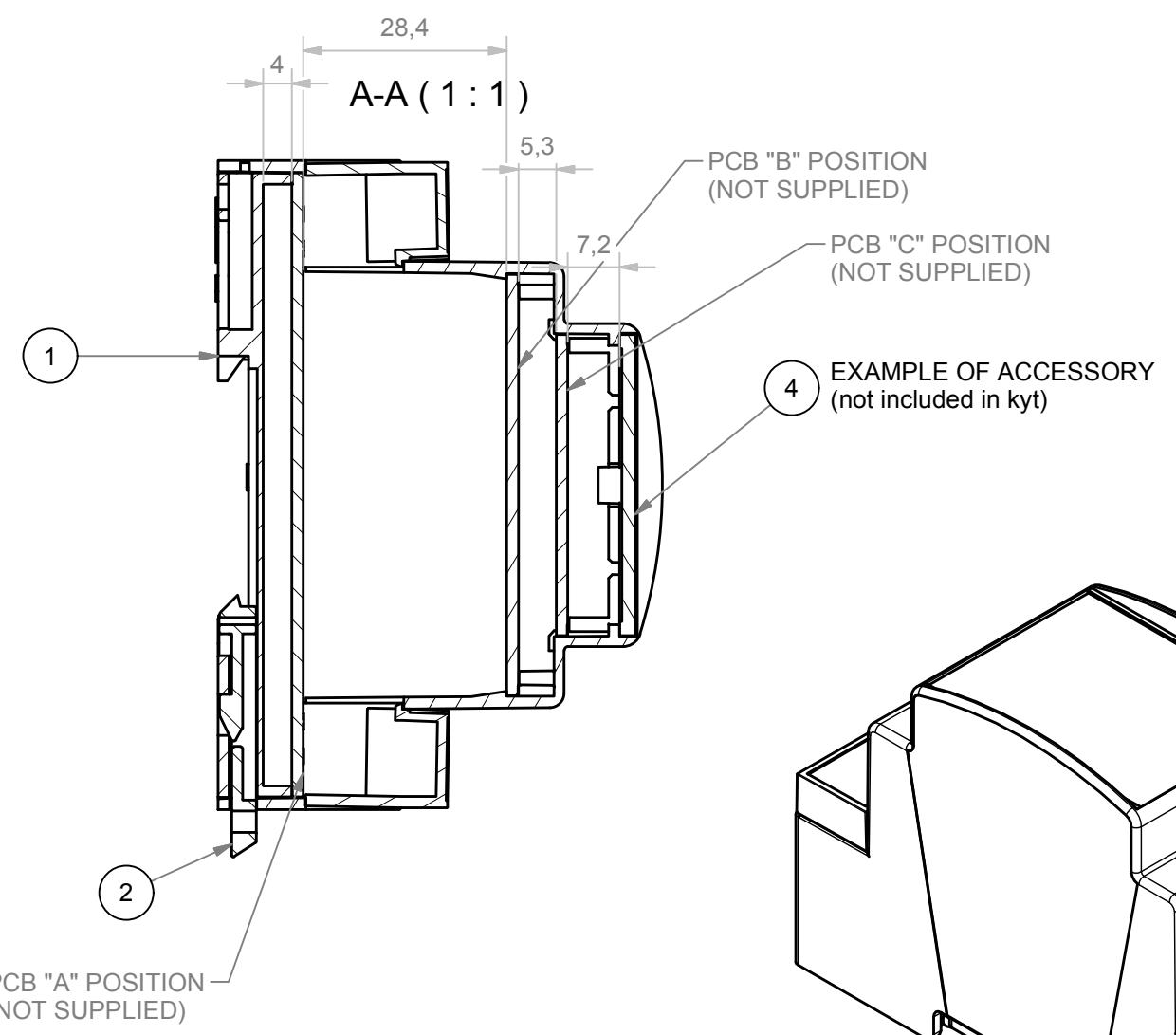
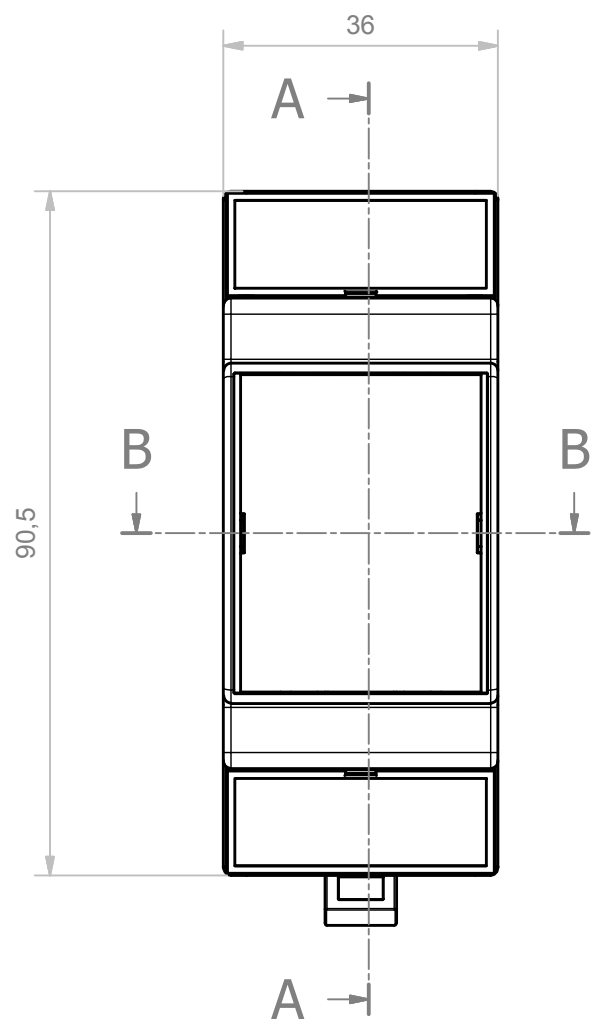


6 5 4 3 2 1



RIF.	Q.TY	DESCRIPTION	CODE
1	1	BASE 2M XT	M-01983
2	1	HOOK MODULBOX LONG	M-01900-02
3	1	CORPO CONTENITORE MODULBOX XTS 2MX53-A	M-02583-01
4	1	PANNELLO, CON GANCI PPO GRIGIO 2M SENZA CORNICE	M-00381-01
5	2	COPRIMORSETTO SENZA FORI	M-00353-01

RESERVED PROPERTY: The present drawing cannot be reproduced or communicated to 3d parties, even partially, without the authorization of ITALTRONIC Srl. Italtronic reserves to protect its own rights according to the law.

GENERAL TOLERANCE	UNI EN 22768/1 Media (m)	Drawn:	Checked:	Revision description
SHEET NR.	Dimension in mm	DRAWING BY	Fanin F.	Dalla Montà D.
1 / 1			Date:	Scale: 1 : 1
		Manual modification are not allowed	09/06/2016	Replace nr.
				Part number:

Denomination:
CONTENITORE COMPLETO MODULBOX XTS 2MH53-A
COMPLETE ENCLOSURE MODULBOX XTS 2MH53-A

ITALTRONIC S.R.L.
 VIA AUSTRIA 25/D 35127
 PADOVA - ITALY
 www.italtronic.com

Drawing nr.
M-04060-01

6 5 4 3 2 1