

## Data Sheet | Item Number: 2065-100/998-403

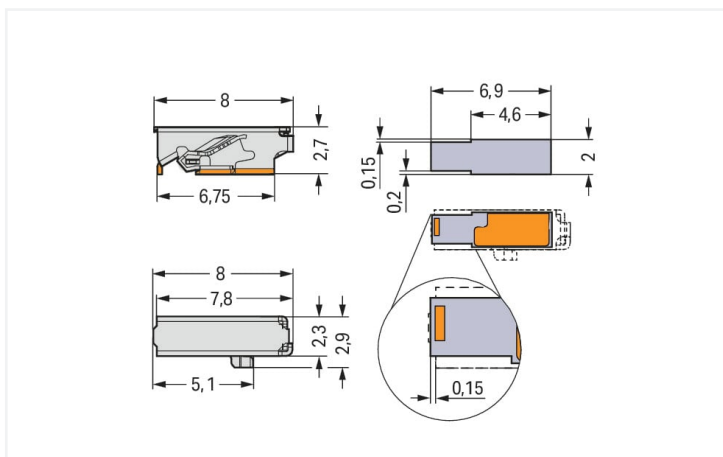
SMD PCB terminal block; push-button; 0.75 mm<sup>2</sup>; Pin spacing 6.5 mm; 1-pole; Push-in CAGE CLAMP®; in tape-and-reel packaging; Without housing; 0,75 mm<sup>2</sup>; silver-colored



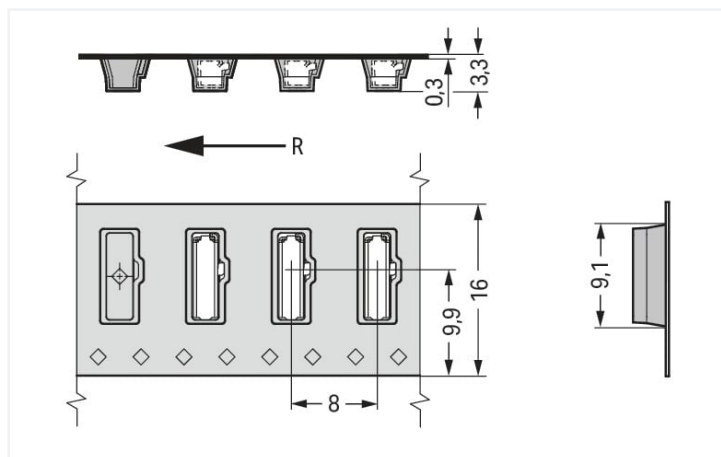
<https://www.wago.com/2065-100/998-403>



Color: ■ silver-colored



Dimensions in mm



Dimensions in mm  
R = feed direction

- SMD PCB terminal block with Push-in CAGE CLAMP® connection technology and push-button
- Push-in termination of solid conductors
- Convenient termination/removal of fine-stranded conductors via push-button and operating tool
- Just 2.7 mm tall
- Available in tape-and-reel packaging for automated assembly
- Also available in a PUSH WIRE® variant without push-button (only for solid conductors)
- As if from a single mold: Miniaturized connection technology meets elegant design.
- Slim SMD metal contact enables space-saving and convenient conductor connection.

## Notes

Safety information

**Notice:**

**Terminal block without insulation housing! Protection against accidental contact must be provided at voltages higher than low voltages (e.g., SELV/PELV) for the relevant application.**

Note

The ratings are based on an example pin spacing of 6.5 mm. The layout must meet the requirements of the insulation coordination standard EN/IEC 60664-1 and applicable end product standards.

## Electrical data

| Ratings per          | IEC/EN 60664-1 |       |       | Approvals per | UL 1977 |
|----------------------|----------------|-------|-------|---------------|---------|
|                      | III            | III   | II    |               |         |
| Overvoltage category | III            | III   | II    | Rated voltage | 600 V   |
| Pollution degree     | 3              | 2     | 2     | Rated current | 9 A     |
| Nominal voltage      | -              | 320 V | 630 V |               |         |
| Rated surge voltage  | -              | 4 kV  | 4 kV  |               |         |
| Rated current        | -              | 9 A   | 9 A   |               |         |

## Connection data

|                            |   |                                       |  |
|----------------------------|---|---------------------------------------|--|
| Connection points          | 1 | <b>Connection 1</b>                   |  |
| Total number of potentials | 1 | Connection technology                 | Push-in CAGE CLAMP®                          |
| Number of connection types | 1 | Actuation type                        | Push-button                                  |
| Number of levels           | 1 | Solid conductor                       | 0.2 ... 0.75 mm <sup>2</sup> / 24 ... 18 AWG |
|                            |   | Fine-stranded conductor               | 0.2 ... 0.75 mm <sup>2</sup> / 24 ... 18 AWG |
|                            |   | Strip length                          | 7.5 ... 9.5 mm / 0.3 ... 0.37 inches         |
|                            |   | Conductor connection direction to PCB | 0°   |
|                            |   | Pole number                           | 1  |

## Physical data

|  |                       |
|--|-----------------------|
| Pin spacing                              | 6.5 mm / 0.256 inches |
| Width                                    | 2.9 mm / 0.114 inches |
| Height                                   | 2.7 mm / 0.106 inches |
| Depth                                    | 8 mm / 0.315 inches   |
| Reel diameter of tape-and-reel packaging | 330 mm                |
| Tape width                               | 16 mm                 |

## PCB contact

|                                     |  |
|-------------------------------------|--|
| PCB contact                         | SMD                                      |
| Solder pin arrangement              | over the entire terminal strip (in-line) |
| Number of solder pins per potential | 1  |

### Material data

|                          |  |
|--------------------------|--|
| Note (material data)     | <a href="#">Information on material specifications can be found here</a> |
| Color                    | silver-colored   |
| Clamping spring material | Chrome-nickel spring steel (CrNi)  |
| Contact material         | Copper alloy   |
| Contact plating          | Tin  |
| Fire load                | 0 MJ   |
| Weight                   | 0.1 g  |

### Environmental requirements

|                         |                 |
|-------------------------|-----------------|
| Limit temperature range | -60 ... +120 °C |
|-------------------------|-----------------|

### Commercial data

|                       |                  |
|-----------------------|------------------|
| eCl@ss 10.0           | 27-14-11-06      |
| eCl@ss 9.0            | 27-14-11-06      |
| ETIM 8.0              | EC001284         |
| ETIM 7.0              | EC001284         |
| PU (SPU)              | 31800 (2650) pcs |
| Packaging type        | Box              |
| Country of origin     | CH               |
| GTIN                  | 4055143665469    |
| Customs tariff number | 85369010000      |

### Environmental Product Compliance

|                        |                         |
|------------------------|-------------------------|
| RoHS Compliance Status | Compliant, No Exemption |
|------------------------|-------------------------|

### Approvals / Certificates

#### General approvals



| Approval                              | Standard     | Certificate Name |
|---------------------------------------|--------------|------------------|
| CB<br>DEKRA Certification B.V.        | EN 60947-7-4 | NL-63702         |
| CB<br>DEKRA Certification B.V.        | IEC 60998    | NL-63703         |
| KEMA/KEUR<br>DEKRA Certification B.V. | EN 60947-7-4 | 71-112513        |
| KEMA/KEUR<br>DEKRA Certification B.V. | EN 60998     | 71-112514        |

#### Declarations of conformity and manufacturer's declarations

| Approval   | Standard | Certificate Name |
|--|----------|------------------|
| EU-Declaration of Conformity<br>WAGO GmbH & Co. KG | -        | -                |
| UK-Declaration of Conformity<br>WAGO GmbH & Co. KG | -        | -                |

## Downloads

### Environmental Product Compliance

#### Compliance Search

Environmental Product Compliance  
2065-100/998-403



## Documentation

### Additional Information

Technical Section

03.04.2019

pdf

2027.26 KB



## CAD/CAE-Data

### CAD data

2D/3D Models  
2065-100/998-403



### CAE data

ZUKEN Portal  
2065-100/998-403



## PCB Design

Symbol and Footprint  
via SamacSys  
2065-100/998-403



Symbol and Footprint  
via Ultra Librarian  
2065-100/998-403



## 1 Compatible Products

### 1.1 Optional Accessories

#### 1.1.1 Board-to-board link

##### 1.1.1.1 Board-to-board link



[Item No.: 2065-131](#)

Board-to-Board Link; Pin spacing 6.5 mm;  
Length: 15.6 mm; silver-colored

[Item No.: 2065-133](#)

Board-to-Board Link; Pin spacing 6.5 mm;  
Length: 17.6 mm; silver-colored

### 1.1.2 Tool

#### 1.1.2.1 Operating tool

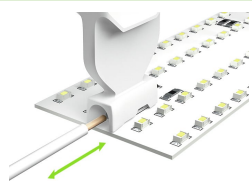


[Item No.: 2065-189](#)

Operating tool; made of insulating material; white

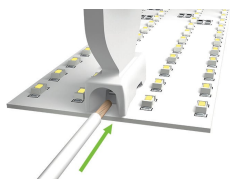
## Installation Notes

### Conductor termination



Push-in CAGE CLAMP® variant: Insert fine-stranded conductors and remove all conductor types via operating tool. Solid conductors can also be terminated by simply pushing them in.

### Conductor termination



The 2065-189 Operating Tool's funneled conductor entry securely guides all conductor types into the Push-in CAGE CLAMP®.