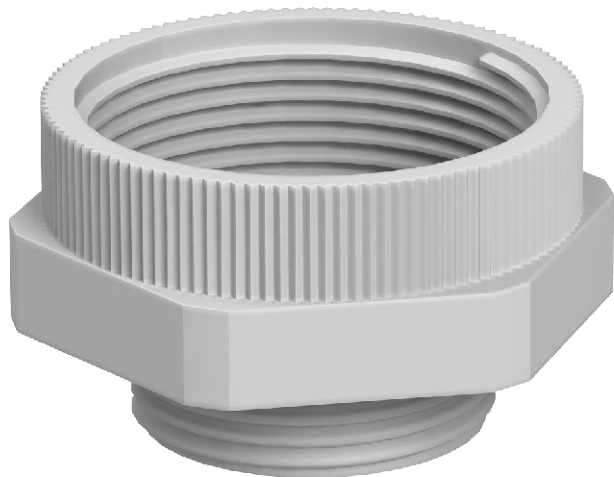


# Technical data sheet

## Intermediate expansion connector, metric thread

Item no. 2031454



Intermediate expansion connector, metric internal and external thread.

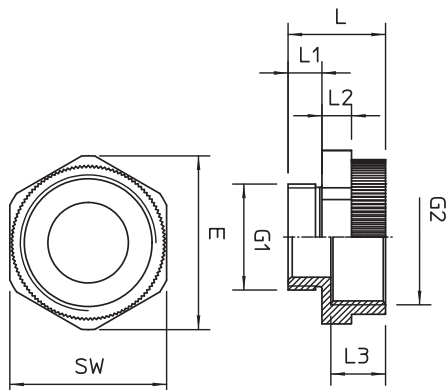


**PA** Polyamide

### Master data

Item no.	2031454
Type	107 E M 32-40 PA
Description 1	Extension
Description 2	M - M
Dimension	M32-M40
Colour	Light grey
RAL number	7035
Material	Polyamide
Material symbol	PA
Smallest sales unit (VG)	25,00 Piece
Weight	1,30 kg/100 pc.

### Technical data



explosion-proof	<input type="checkbox"/>
Thread type: External thread	<input type="checkbox"/> Metric
Thread type: Internal thread	<input type="checkbox"/> Metric
External thread	<input type="checkbox"/> M32
Thread dimension, metric, external	<input type="checkbox"/> 32,00
Internal thread	<input type="checkbox"/> M40
Thread dimension, metric, internal	<input type="checkbox"/> 40,00
Nickel-plated	<input type="checkbox"/>