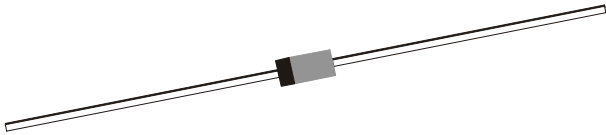


HIGH SPEED SILICON SWITCHING DIODE

IN914, B

**IN916
250mW**

**DO- 35
Glass Axial Package**



FEATURES

Intended for General Purpose Application.

ABSOLUTE MAXIMUM RATINGS (Ta=25°C unless specified otherwise)

DESCRIPTION	SYMBOL	VALUE	UNIT
Reverses Voltage (Continuous)	V_R	75	V
Repetitive Peak Reverse Voltage	V_{RRM}	100	V
Average Forward Current			
$T_A = 25^\circ\text{C}$	$I_{F(AV)}$	75	mA
$T_A = 150^\circ\text{C}$	$I_{F(AV)}$	10	mA
Forward Current (D.C.)	I_F	75	mA
Repetitive Peak Forward Current	I_{FRM}	225	mA
Non Repetitive Peak Surge Current			
tp=1sec	I_{FSM}	500	mA
Power Dissipation	P_{tot}	250	mW
Storage Temperature	T_{stg}	-65 to +200	°C
Operating ambient Temperature	T_{amb}	-65 to +175	°C

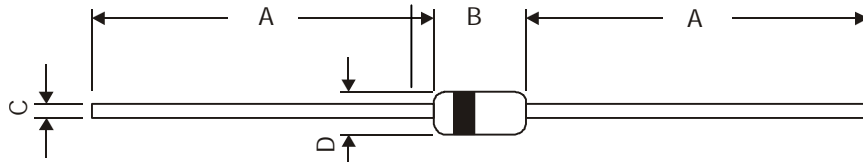
ELECTRICAL CHARACTERISTICS (Ta=25°C unless specified otherwise)

DESCRIPTION	SYMBOL	TEST CONDITION	MIN	TYP	MAX	UNIT
Forward Voltage	V_F					
		IN914/916	$I_F=10$		1.0	V
		1N914B	$I_F=100\text{mA},$ $I_F=5\text{mA},$	0.62	0.72	V
Reverse Breakdown Voltage	$V_{(BR)R}$	$I_R=100\mu\text{A}$	100			V
Reverse Current	I_R	$V_R=20\text{V}$			25	nA
		$V_R=75\text{V}$ $V_R=20\text{V}, T_j=150^\circ\text{C}$			5	μA
Diode Capacitance	C_d	$V_R=0, f=1\text{MHz}$			2.5	pF
Reverse Recovery Time	t_{rr}	$I_F=10\text{mA}$ to $I_R=10\text{mA}$ $R_L=100\ \Omega$ Measured at $I_R=1\text{mA}$			8	ns
		$I_F=10\text{mA}$ to $I_R=60\text{mA}$ $R_L=100\ \Omega$ Measured at $I_R=1\text{mA}$			4	ns

**IN916
250mW**

**DO-35
Glass Axial Package**

DO-35 Glass Axial Package

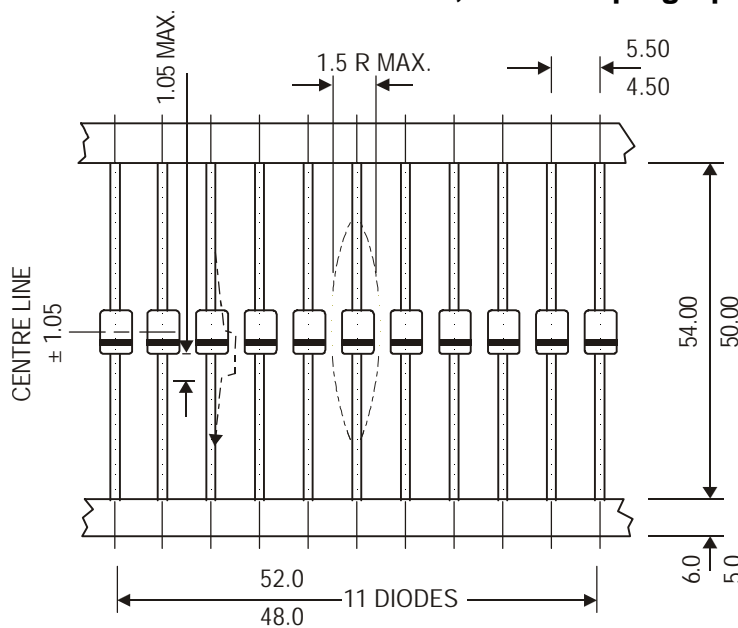


NOTE: Cathode is marked by Band.

DIM	MIN	MAX
A	25.40	—
B	3.05	4.15
C	0.46	0.56
D	1.70	2.29

All dimensions are in mm.

DO-35, 52mm Taping Specification

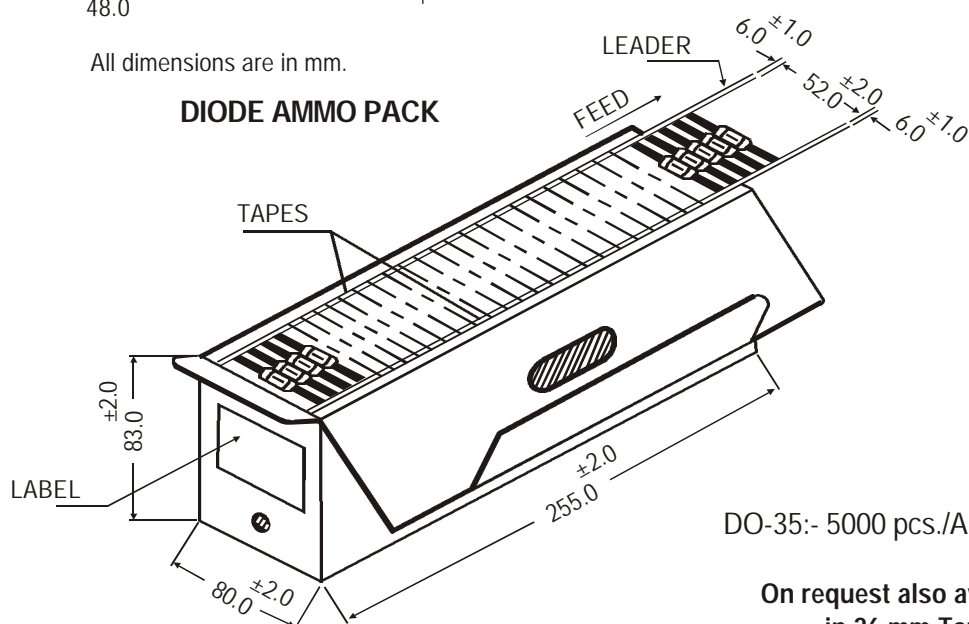


All dimensions are in mm.

52 mm Taping Specification

1. T & A indicates Axial Tape and Ammo Packing (52 mm Tape Spacing).
2. 300 mm (min) leader tape on every tape.
3. No. of empty places allowed 0.25% without consecutive empty places.
4. Ends of leads shall preferably not protrude beyond the tapes.
5. Components shall be held sufficiently in the tape or tapes so that they can not come free in normal handling.

DIODE AMMO PACK



DO-35:- 5000 pcs./Ammo Pack

On request also available
in 26 mm Tape

Packing Detail

PACKAGE	STANDARD PACK		INNER CARTON BOX		OUTER CARTON BOX		
	Details	Net Weight/Qty	Size	Qty	Size	Qty	Gr Wt
DO-35 T&A	5K/ammo box	0.88 kg/5K pcs	10" x 3.2" x 3.2"	5K	12.7" x 12.7" x 20"	125K	25 kgs

Component Disposal Instructions

1. CDIL Semiconductor Devices are RoHS compliant, customers are requested to please dispose as per prevailing Environmental Legislation of their Country.
2. In Europe, please dispose as per EU Directive 2002/96/EC on Waste Electrical and Electronic Equipment (WEEE).

Customer Notes

Disclaimer

The product information and the selection guides facilitate selection of the CDIL's Semiconductor Device(s) best suited for application in your product(s) as per your requirement. It is recommended that you completely review our Data Sheet(s) so as to confirm that the Device(s) meet functionality parameters for your application. The information furnished in the Data Sheet and on the CDIL Web Site/CD are believed to be accurate and reliable. CDIL however, does not assume responsibility for inaccuracies or incomplete information. Furthermore, CDIL does not assume liability whatsoever, arising out of the application or use of any CDIL product; neither does it convey any license under its patent rights nor rights of others. These products are not designed for use in life saving/support appliances or systems. CDIL customers selling these products (either as individual Discrete Semiconductor Devices or incorporated in their end products), in any life saving/support appliances or systems or applications do so at their own risk and CDIL will not be responsible for any damages resulting from such sale(s).

CDIL strives for continuous improvement and reserves the right to change the specifications of its products without prior notice.



CDIL is a registered Trademark of
Continental Device India Limited

C-120 Naraina Industrial Area, New Delhi 110 028, India.

Telephone + 91-11-2579 6150, 4141 1112 Fax + 91-11-2579 5290, 4141 1119

email@cdil.com www.cdilsemi.com