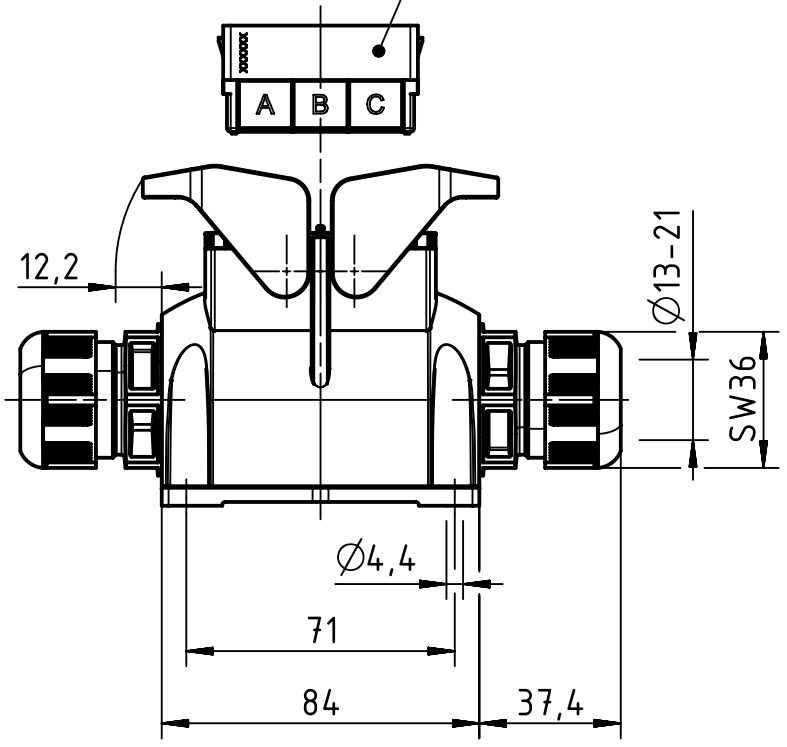


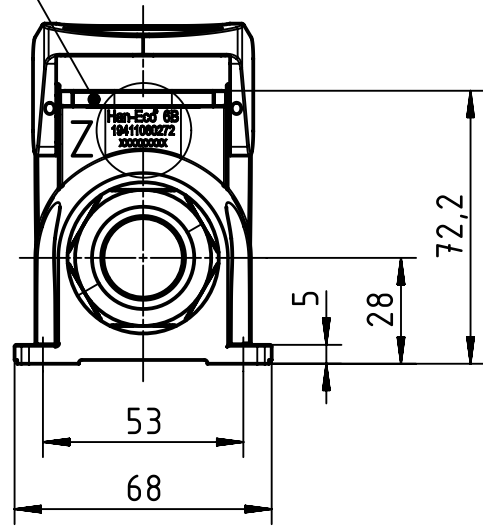
1 2 3 4 5 6

A
B
C
D

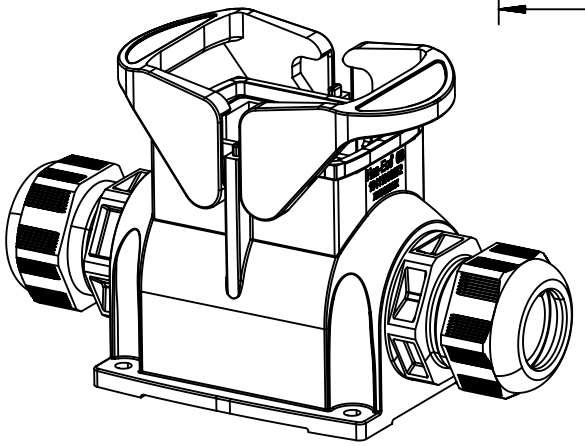
adapter frame



seal



Z (1:1)



adapter frame and cable glands are enclosed

	All Dimensions in mm Original Size DIN A4		Scale 1:2	Free size tol.		Ref.
						Sub.
	All rights reserved		Created by DICK	Inspected by HERBRECHTSME	Standardisation TIEMANNA	Date 2016-02-29
	Department EL PD - DE					State Final Release
HARTING Electric GmbH & Co. KG D-32339 Espelkamp			Title Han-Eco 6B SM Hsg 2 x M32 w/cable gland			Doc-Key / ECM-Nr. 100222554/UGD/004/D 500000096768
			Type TB	Number 19 41 106 0272		Rev. D Page 1/1