


# ROCKER SWITCHES

PRODUCT NUMBER 1939.3314



## TECHNICAL DATA

<b>Product number</b>	<b>1939.3314</b>	
Actuator color / printing		
Product family	Rocker switches	
Actuation type	direct	
Weight	14.000 g	
ROHS conform	yes	
Distributor	REPRO	
Switching function	Changeover switch with OFF position in the center (DPDT - Center OFF)	
Material fixed contact	Ag	
Number of poles	2 - pole	
connections	Quick-connect terminal, 6.3 x 0.8	
Rating IEC	12 (4) A 250 V AC 1E4	
Rating North America	14 A 125 V AC 1/4 HP 14 A 250 V AC 1/2 HP	
Contact resistance (new condition)	< 100 (1 A 12 V DC) mOhm	
Insulation resistance (new condition)	> 100 (500 V DC) MOhm	
Voltage strength at 250 V	→ function insulation / basic insulation	1 500 V
	→ reinforced insulation	3 000 V

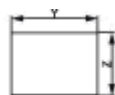
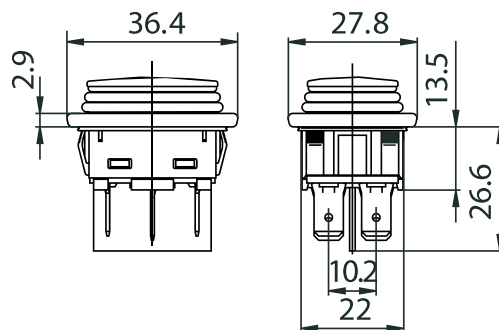
	→ small contact distance	500 V
Proof tracking	250 PTI	
Insulation spacing	acc. to EN 61058 for reinforced or double insulation	
Protection type	→ Connection	IP 40
	→ Actuator	IP 65
Ambient temperature	-30 °C ... +105 °C	
Ambient temperature	-30 °C ... +55 °C	
Storage temperature	-40 °C ... +80 °C	
Flammability	UL 94 V-2	
Glow wire test temperature	850 °C	
Actuators and additional actuators	hard component: PC, black, identification white soft component: TPU, black	
Housing description	housing: PA, black base plate: PA, black	
Connection surface	→ bearing connection	silver plated
	→ external connection	silver plated
Contact material	Ag	
Contact distance	< 3 mm	
Rating Code UL	R 186	
Contact type	lifting contact	
Plug force of the terminals	≤ 80 N	
Operating force	3 - 8 N	
Approval marks	cCSAus / ENEC 05	
Suitable for appliances of protection class	II	
Miscellaneous	momentary function both sides	
Additional labeling	year/week of manuf. acc. to DIN EN 60062	

Type of fastening	Snap fastening
Degree of pollution	3
Stock version	●

## PRODUCT IMAGE



## DRAWINGS



X	Y	Z
0.75 ... 1.25	30 -0.1	22 +0.2
1.25 ... 3	30.2 -0.1	22 +0.2

X = wall thickness

Technical changes reserved. Dimensions are not binding.

Detailed specifications available on request.

Marquardt GmbH · Schloss-Straße 16 · 78604 Rietheim-Weilheim · Germany  
 Phone: +49 (0) 7424 / 99-0 · Fax: +49 (0) 7424 / 99-2399 · [www.marquardt.com](http://www.marquardt.com) · [marquardt@marquardt.de](mailto:marquardt@marquardt.de)