

5

4

3

2

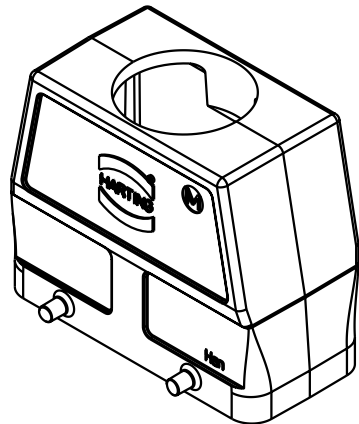
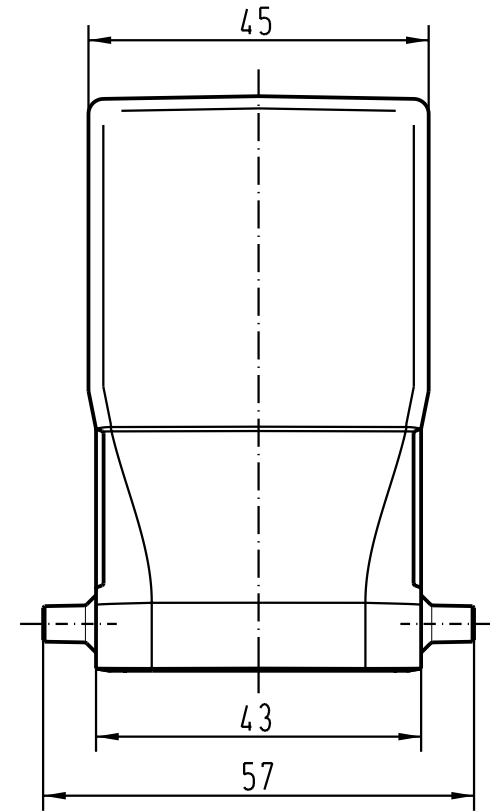
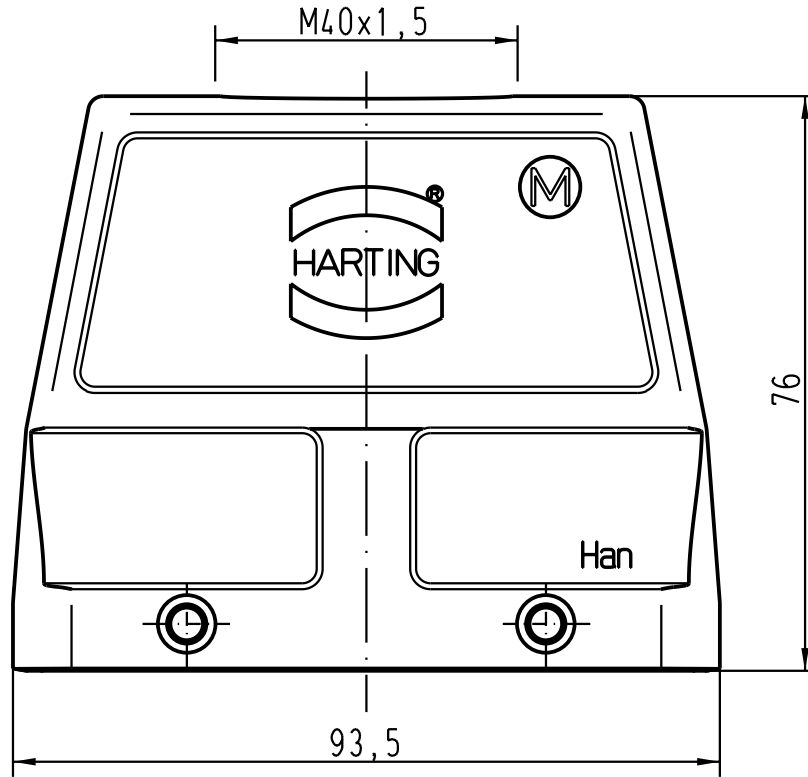
1



D

C

B

A



| | | | | | | | | | |
|---|----------|------|---|----------|------|--|--|--|-------------|
|  All Dimensions in mm Original Size DIN A 4 | | | Techn. Character. | | | Nicht tolerierte Masse/ Free size tolerances | | | |
| | | | | Dat. | Name | Massstab/ Scale | | | |
| | | | Detail. | 05.10.01 | DY | 1 : 1 | | | |
| | | | Insp. | | KR | | | | |
| | | | Stand. | | | | | | |
| 410900 | 25.02.04 | Ste | HARTING Electric GmbH & Co. KG | | | Han 16B-gg-M40 Topfgehäuse/ hood | | | |
| 30146 | | | D-32339 Espelkamp | | | | | | |
| Mod. | Dat. | Name |  | | | TB 19 30 016 0428 | | | |
| | | | | | | Sub. | | | Blatt/ page |