

WIRE COMBINATIONS FOR NYLON-INSUALTED CLOSED END CONNECTORS

(D1)
 MOLEX P/N: 191600012 (NC-2214), 191600130 (NC-2214BULK)
 191600070 (NC-2214T), 191600091 (NC-2214BT)
 (D1) (D1)

WIRE PREPARATION

NOTE: PRE-TWISTING NOT REQD FOR OEM APPLICATIONS
 SOLID: (OEM ONLY)
 A. STRIP LEADS TO .38(9.5)
 B. INSERT INTO CONNECTOR & CRIMP
 STRANDED:
 A. STRIP LEADS TO APROX. .75(19.1)
 B. TWIST WIRE COMBINATION EVENLY & TIGHT.
 C. TRIM STRIPPED PRE-TWISTED ZONE TO .38(9.5).
 D. INSERT INTO CONNECTOR AND CRIMP.

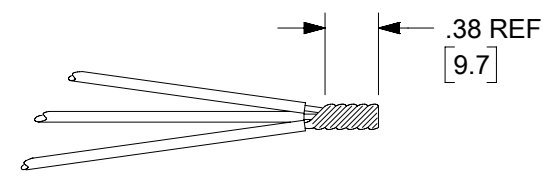
UL LISTED WIRE COMBINATIONS

STRANDED WIRE ONLY

16 AWG	18 AWG	20 AWG	22 AWG
			7
		1	6
	1		5
		2	4
	1		4
		2	3
1			3
		3	2
1			2
		4	1
	2		1
1			1
		4	
	1	3	
1		2	
	2	1	
1		1	
	3		

STRANDED WIRE ONLY

16 AWG	18 AWG	20 AWG	22 AWG
	2		
1	1		
1	1	1	
	1	2	
	2		2
	1		3
	1		1
	1	1	1
	1	2	1
	1	1	2
	1	1	3
		3	1
		2	2
		1	4
		1	5
			6
1	1	1	1



RATING 105°C 300 VOLT
 FILE: E32244



RATING 125°C 300 VOLT
 FILE: LR 18689

APPLICATION WITH HANDTOOL:

HOLD TOOL WITH LOCATOR PLATE FACING UP.
 INSERT CLOSED END CONNECTOR IN HOLE.
 INSURE THAT SHOULDER OF CONNECTOR IS RESTING ON LOCATOR PLATE.
 CLOSE TOOL JAWS UNTIL CONNECTOR IS HELD SNUG IN PLACE.
 LOAD CONNECTOR WITH DESIRED WIRE COMBINATION.
 COMPLETE CRIMP BY CLOSING TOOL HANDLES UNTIL THEY RELEASE.

CRIMP TOOLING AVAILABLE

640010600 (RHT-7000) HANDTOOL
 640053400 (AT-2214) CRIMP HEAD OR 640050600 (AT-7000) CRIMP HEAD
 FOR 192790001 (AT-200) AIR HAND TOOL

(D1)

192280030 (ATP-301) AIR TAPE PRESS OR
 638853500 MINI-MAC TAPE APPLICATOR WITH
 192880242 (ATP-NC-2214) CRIMPING DIES

ADDITIONAL UL LISTED WIRE COMBINATIONS

- (3) 18 AWG SOLID
- (2) 18 AWG SOLID

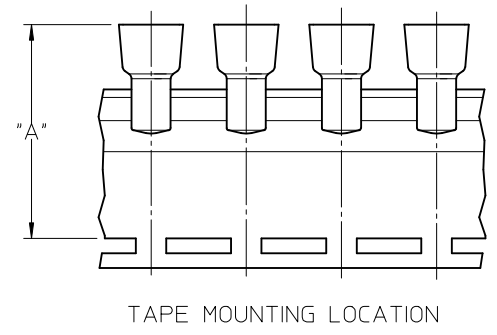
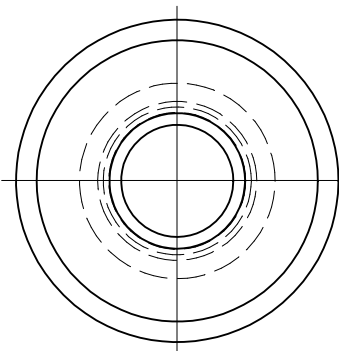
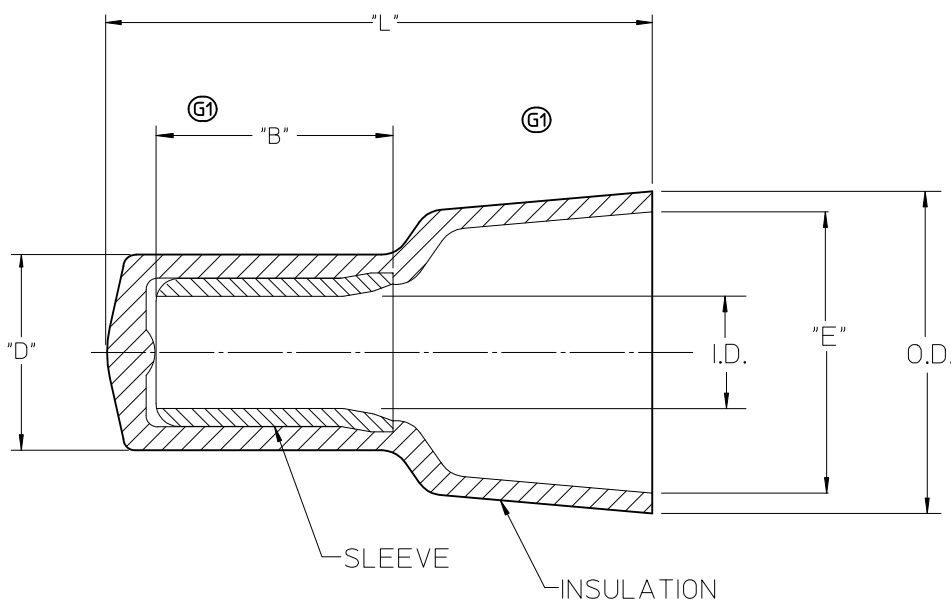
CSA CERTIFIED WIRE COMBINATIONS

- (7) 22 AWG STRANDED
- (4) 22 AWG STRANDED WITH (2) 20 AWG STRANDED
- (2) 20 AWG STRANDED WITH (1) 16 AWG STRANDED
- (2) 18 AWG STRANDED WITH (1) 20 AWG STRANDED
- (3) 18 AWG STRANDED
- (2) 18 AWG SOLID

NOTE: THIS DOCUMENT USED TO MAKE STUFFER SHEET
 PART NO: 194080109
 DOC NO'S: E-19160-009 & PK-19408-109

FUNCTIONAL SYMBOLS	THIS DRAWING CONTAINS INFORMATION THAT IS PROPRIETARY TO MOLEX ELECTRONIC TECHNOLOGIES, LLC AND SHOULD NOT BE USED WITHOUT WRITTEN PERMISSION												
	DIMENSION UNITS		SCALE		CURRENT REV DESC: P/N TYPO/ ERROR: 191600070 WAS 191600071, 191600130 WAS 190600129, 191600091 WAS 191600190. CRIMP TOOLING P/N'S UPDATED.						molex		
	INCH/MM		NTS										
	GENERAL TOLERANCES (UNLESS SPECIFIED)										EC NO: 704038 DRWN: DMYRICK 2022/04/07 CHKD: JMACNEIL 2022/05/04 APPR: JMACNEIL 2022/05/04 INITIAL REVISION: DRWN: JHACKNEY 1999/11/03 APPR: JMACNEIL 2012/06/06		
4 PLACES ±		MM		INCH									
3 PLACES ±													
2 PLACES ±													
1 PLACE ±													
0 PLACES ±													
ANGULAR TOL ± °													
DRAFT WHERE APPLICABLE MUST REMAIN WITHIN DIMENSIONS		THIRD ANGLE PROJECTION		DRAWING		SERIES		MATERIAL NUMBER		CUSTOMER			
		B-SIZE		19160		SEE CHART		GENERAL MARKET		1 OF 1			

LOOSE PIECE		TAPE MOUNTED		"L" MAX.	"B" MIN (G1)	"D" MAX.	"E" MIN.	I.D. MIN.	O.D. MAX.	"A" DIM ±.02/0.5 (G1)
MATERIAL NO.	ENG. NO.	MATERIAL NO.	ENG. NO.							
191600012	NC-2214	191600070	NC-2214T	.62/15.7	.30/7.6	.19/4.8	.24/6.1	.09/2.3	.32/8.1	1.54/39.2
191600009	NC-2212	191600071	NC-2212T	.76/19.3	.30/7.6	.23/5.8	.27/6.9	.10/2.5	.36/9.1	1.63/41.4
191600002	NC-1610	191600083	NC-1610T	.90/22.8	.28/7.1	.28/7.1	.38/9.6	.15/3.8	.45/11.4	1.75/44.5
191600024	NC-8	191600028	NC-8T	1.10/27.9	.42/10.6	.36/9.1	.48/12.2	.21/5.3	.57/14.5	1.86/47.4



NOTES:

- MATERIAL: SLEEVE: TIN-PLATED COPPER
INSULATION: 6/6 NYLON,
NATURAL TRANSLUCENT
- PARTS ARE ROHS COMPLIANT.

SALES DRAWING

CORRECT TOLERANCES EC NO: WNA2010-0673 DRAWN BY: DR. W. H. THRODAHL 2010/05/07 CHKD. BY: R. DEROSS 04/02/23 APPR. BY: J. MACNEIL 2010/06/23	QUALITY SYMBOLS	GENERAL TOLERANCES (UNLESS SPECIFIED)	DIMENSION STYLE	SCALE	DESIGN UNITS	THIRD ANGLE PROJECTION	
	▽=0 ▽=0	mm INCH	IN/MM	5:1	INCH		
		4 PLACES ± --- ± --- 3 PLACES ± --- ± --- 2 PLACES ± --- ± --- 1 PLACE ± --- ± ---	DRAWN BY DATE H. BEITZE 04/02/23 CHECKED BY DATE R. DEROSS 04/02/23 APPROVED BY DATE R. DEROSS 04/02/23	TITLE	CLOSED END CONNECTORS NYLON INSULATED		
		ANGULAR ± ---°	MATERIAL NO.	DOCUMENT NO.	MOLEX INCORPORATED		
G1	DESCRIPTION	DRAFT WHERE APPLICABLE MUST REMAIN WITHIN DIMENSIONS	SEE CHART	SD-19160-001			
			SIZE B	THIS DRAWING CONTAINS INFORMATION THAT IS PROPRIETARY TO MOLEX INCORPORATED AND SHOULD NOT BE USED WITHOUT WRITTEN PERMISSION			
						SHEET NO. 1 OF 1	