


ROCKER SWITCHES

PRODUCT NUMBER 1901.1102



TECHNICAL DATA

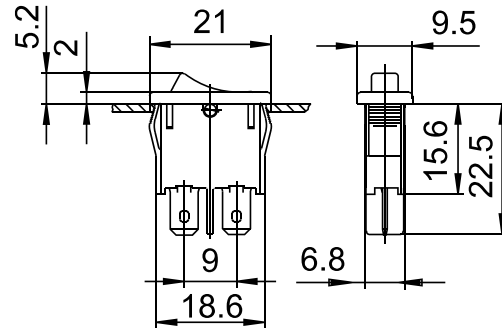
Product number	1901.1102
Actuator color / printing	
Product family	Rocker switches
Actuation type	direct
Weight	3.000 g
ROHS conform	yes
Distributor	REPRO
Switching function	ON / OFF switch (SPST)
Material fixed contact	Cu silver-plated
Number of poles	1 - pole
connections	Quick-connect terminal, 4.8 x 0.8
Mechanical life endurance	75E3
Rating IEC	6 (2) A 250 V AC 4 (1) A 250 V AC 5E4
Contact resistance (new condition)	< 100 (1 A 12 V DC) mOhm
Insulation resistance (new condition)	> 100 (500 V DC) MOhm
Voltage strength at 250 V	<ul style="list-style-type: none"> → function insulation / basic insulation 1 500 V → reinforced insulation 3 000 V → small contact distance 500 V

Proof tracking	250 PTI
Insulation spacing	acc. to EN 61058 for reinforced or double insulation
Protection type	→ Connection IP 40 → Actuator IP 40
Ambient temperature	-20 °C ... +85 °C
Ambient temperature	-20 °C ... +55 °C
Storage temperature	-40 °C ... +80 °C
Flammability	UL 94 V-2
Glow wire test temperature	850 °C
Actuators and additional actuators	rocker: PA, black
Housing description	housing: PA, black
Connection surface	→ bearing connection silver plated → external connection silver plated
Contact material	Ag
Contact distance	≥ 3 mm
Contact type	lifting contact
Plug force of the terminals	≤ 80 N
Operating force	2 - 5 N
Approval marks	cULus / ENEC 05
Suitable for appliances of protection class	II
Type of fastening	Snap fastening
Degree of pollution	3
Stock version	●

PRODUCT IMAGE



DRAWINGS



X	Y	Z
0.75 ... 1.25	19.2 -0.1	6.8 +0.1
1.25 ... 2	19.4 -0.1	6.8 +0.1
2 ... 3	19.8 -0.1	6.8 +0.1

X = wall thickness

Technical changes reserved. Dimensions are not binding.
Detailed specifications available on request.

Marquardt GmbH · Schloss-Straße 16 · 78604 Rietheim-Weilheim · Germany
Phone: +49 (0) 7424 / 99-0 · Fax: +49 (0) 7424 / 99-2399 · www.marquardt.com · marquardt@marquardt.de