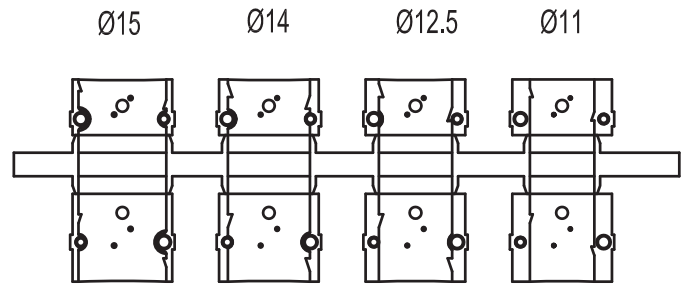
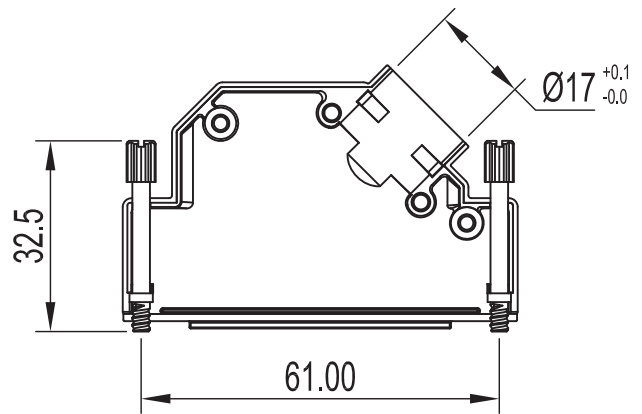
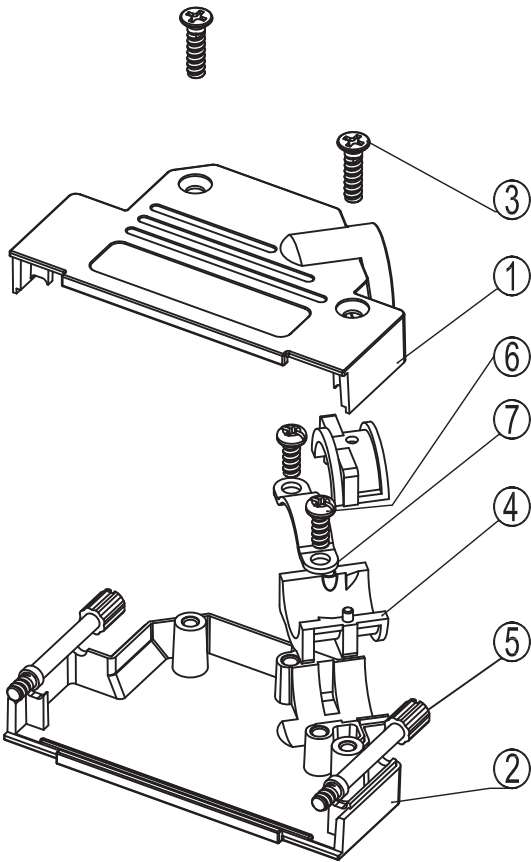
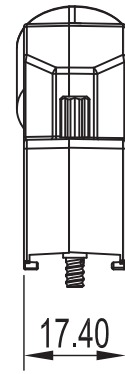
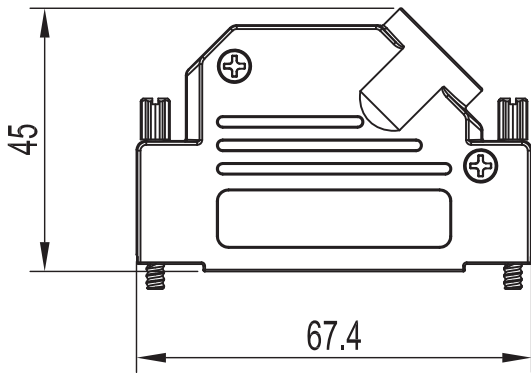


No.	Changes and/or Note No.	Date	Intr	No	Changes and/or Note No.	Date	Intr



Grommet Set

Part Number:	Description:	Pack:	Item	QTY	Part description
			1	1	D45ZK50-Upper cover
6560-0106-15	D45ZK50-K	Kit	2	1	D45ZK50-Lower cover
			3	2	M3X12 Countersunk screw
6561-0106-15	D45ZK50	Bulk	4	1	D45ZK-D3 Grommet set
			5	2	UNC 4-40x32.5 Jackscrew
			6	2	M3X8 Posi screw
			7	1	Cable clamp

DATE: 2011-12-12	DRAWN: MRR	SCALE:	MATERIAL TYPE:	GENERAL TOLERANCES UNLESS OTHERWISE STATED LINEAR 0 ±0.20 0.0 ±0.15 0.00 ±0.10 ANGULAR ±0.30° ALL DIMENSIONS IN mm THIRD ANGLE PROJECTION
	APPROVED:		REPLACES:	

	D45ZK-SERIES		DRAWING No:
			6688-9559