


# ROCKER SWITCHES

PRODUCT NUMBER 1858.4205



## TECHNICAL DATA

<b>Product number</b>	<b>1858.4205</b>
Actuator color / printing	
Product family	Rocker switches
Actuation type	direct
Weight	5.000 g
Switch on continuous current (capacitive)	5 A
Inrush current (capacitive)	100 A
ROHS conform	yes
Switching function	ON / OFF switch (DPST)
Material fixed contact	Ag
Number of poles	2 - pole
connections	PCB terminal, angled to terminal side 1
Mechanical life endurance	10E4
Rating IEC	10 (4) A 250 V AC 1E4 6 (4) A 250 V AC 5E4
Rating North America	12 A 125 V AC 1/3 HP 12 A 250 V AC 1/2 HP
Contact resistance (new condition)	< 100 (1 A 12 V DC) mOhm

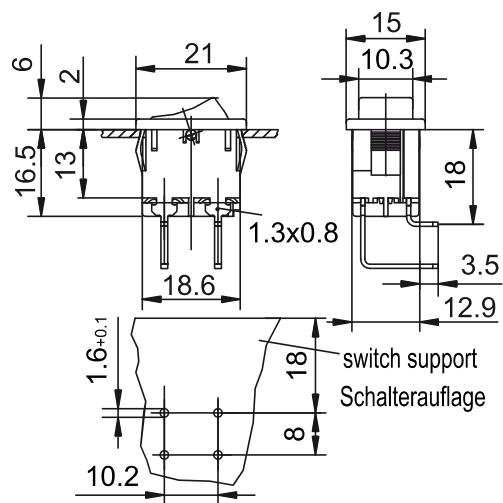
Insulation resistance (new condition)	> 100 (500 V DC) MOhm	
Voltage strength at 250 V	→ function insulation / basic insulation	1 500 V
	→ reinforced insulation	3 000 V
	→ small contact distance	500 V
Proof tracking	250 PTI	
Insulation spacing	acc. to EN 61058 for reinforced or double insulation	
Protection type	→ Connection	IP 40
	→ Actuator	IP 40
Ambient temperature	-20 °C ... +100 °C	
Ambient temperature	-20 °C ... +55 °C	
Storage temperature	-40 °C ... +80 °C	
Flammability	UL 94 V-0	
Glow wire test temperature	850 °C	
Actuators and additional actuators	rocker: PA, black, identification white	
Housing description	housing: PA, black, short separating gate, cover frame with injected identification	
Connection surface	→ bearing connection	silver plated
	→ external connection	silver plated
Contact material	Ag	
Contact distance	≥ 3 mm	
Rating Code UL	R 138	
Contact type	lifting contact	
Plug force of the terminals	≤ 80 N	
Operating force	≤ 5 N	
Approval marks	CSA / UL / ENEC 05	

Suitable for appliances of protection class	II
EN 60335 cap. 30 conform "G"	yes
Additional labeling	year/week of manuf. acc. to DIN EN 60062
Type of fastening	Snap fastening
Degree of pollution	3
Stock version	●

## PRODUCT IMAGE



## DRAWINGS



	X	Y	Z
0.75 ... 1.25	19.2 -0.1	12.9 +0.1	
1.25 ... 2	19.4 -0.1	12.9 +0.1	
2 ... 3	19.8 -0.1	12.9 +0.1	

X = wall thickness

Technical changes reserved. Dimensions are not binding.  
Detailed specifications available on request.

---

Marquardt GmbH · Schloss-Straße 16 · 78604 Rietheim-Weilheim · Germany  
Phone: +49 (0) 7424 / 99-0 · Fax: +49 (0) 7424 / 99-2399 · [www.marquardt.com](http://www.marquardt.com) · [marquardt@marquardt.de](mailto:marquardt@marquardt.de)