


PUSHBUTTON SWITCHES

PRODUCT NUMBER 1843.1201



TECHNICAL DATA

Product number	1843.1201	
Actuator color / printing		
Product family	Pushbutton switches	
Actuation type	direct	
Weight	2.000 g	
ROHS conform	yes	
Switching function	Changeover switch (SPDT momentary)	
Material fixed contact	Cu silver-plated	
Number of poles	1 - pole	
connections	Quick-connect terminal, 4.8 x 0.8	
Mechanical life endurance	10E4	
Rating IEC	6 (2) A 250 V AC 5E4	
Rating North America	6 A 125 - 250 V AC 1/8 HP	
Contact resistance (new condition)	< 100 (1 A 12 V DC) mOhm	
Insulation resistance (new condition)	> 100 (500 V DC) MOhm	
Voltage strength at 250 V	<ul style="list-style-type: none"> → function insulation / basic insulation → reinforced insulation 	<p>1 500 V</p> <p>3 000 V</p>

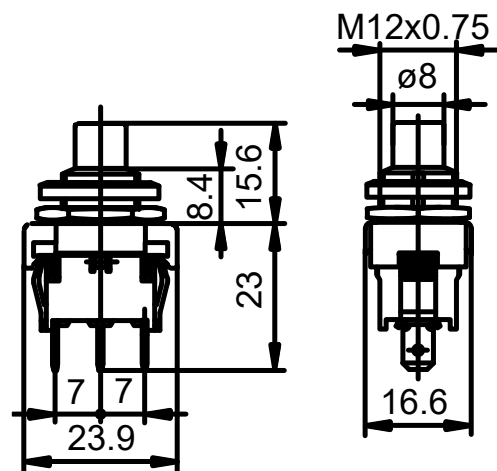
	→ small contact distance	500 V
Proof tracking	250 PTI	
Insulation spacing	acc. to EN 61058 for reinforced or double insulation	
Protection type	→ Connection → Actuator	IP 40 IP 40
Ambient temperature	-20 °C ... +100 °C	
Ambient temperature	-20 °C ... +55 °C	
Storage temperature	-40 °C ... +80 °C	
Flammability	UL 94 V-2	
Glow wire test temperature	850 °C	
Actuators and additional actuators	actuator: PA, black	
Housing description	housing: PA, black bracket: PA glass fiber-reinforced, black threaded socket: PA glass fiber-reinforced, black, with round nut of nickel-plated CuZn enclosed loosely, hexagonal nuts of nickel-plated CuZn	
Connection surface	→ bearing connection → external connection	silver plated silver plated
Contact material	Ag	
Contact distance	≥ 3 mm	
Rating Code UL	R 58	
Contact type	lifting contact	
Plug force of the terminals	≤ 80 N	
Approval marks	CSA / UL / ENEC 05	
Suitable for appliances of protection class	II	
Additional labeling	site, year, week of manuf. acc. to DIN EN 60062	

Type of fastening	central fastening M12 x 0.75
Degree of pollution	2
Rated impulse withstand voltage	2500 V
Stock version	•

PRODUCT IMAGE



DRAWINGS



Technical changes reserved. Dimensions are not binding.
Detailed specifications available on request.

Marquardt GmbH · Schloss-Straße 16 · 78604 Rietheim-Weilheim · Germany
Phone: +49 (0) 7424 / 99-0 · Fax: +49 (0) 7424 / 99-2399 · www.marquardt.com · marquardt@marquardt.de

