
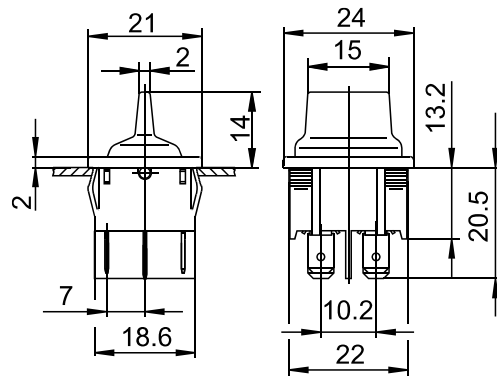


PRODUCT NUMBER 1819.1302



Product number	1819.1302	
Actuator color / printing		
Product family	Toggle switches	
Actuation type	direct	
Weight	7.630 g	
ROHS conform	yes	
Switching function	Changeover switch with OFF position in the center (DPDT - Center OFF)	
Material fixed contact	Cu silver-plated	
Number of poles	2 - pole	
connections	Quick-connect terminal, 4.8 x 0.8	
Mechanical life endurance	5E4	
Rating IEC	6 (2) A 250 V AC 1E4	
Rating North America	6 A 125 - 250 V AC 1/8 HP	
Contact resistance (new condition)	< 100 (1 A 12 V DC) mOhm	
Insulation resistance (new condition)	> 100 (500 V DC) MOhm	
Voltage strength at 250 V	function insulation / basic insulation	1 500 V
	reinforced insulation	3 000 V
	small contact distance	500 V

Proof tracking	250 PTI
Insulation spacing	acc. to EN 61058 for reinforced or double insulation
Protection type	Connection IP 40 Actuator IP 40
Ambient temperature	-20 °C ... +100 °C
Ambient temperature	-20 °C ... +55 °C
Storage temperature	-40 °C ... +80 °C
Flammability	UL 94 V-2
Glow wire test temperature	850 °C
Actuators and additional actuators	lever: PA, black
Housing description	housing: PA, black
Connection surface	bearing connection silver plated external connection silver plated
Contact material	Ag
Contact distance	< 3 mm
Rating Code UL	R 58
Contact type	lifting contact
Plug force of the terminals	≤ 80 N
Approval marks	CSA / UL / ENEC 05
Suitable for appliances of protection class	II
Miscellaneous	momentary function both sides
Additional labeling	site, year, week of manuf. acc. to DIN EN 60062
Type of fastening	Snap fastening
Degree of pollution	3
Stock version	●



X	Y	Z
0.75 ... 1.25	19.2 -0.1	21.9 +0.1
1.25 ... 2	19.4 -0.1	21.9 +0.1
2 ... 3	19.8 -0.1	21.9 +0.1

X = wall thickness

Technical changes reserved. Dimensions are not binding.
Detailed specifications available on request.

Marquardt GmbH · Schloss-Straße 16 · 78604 Rietheim-Weilheim · Germany
Phone: +49 (0) 7424 / 99-0 · Fax: +49 (0) 7424 / 99-2399 · www.marquardt.com · marquardt@marquardt.de