
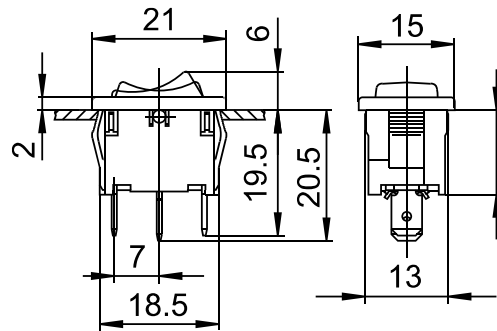


PRODUCT NUMBER 1808.1103



Product number	1808.1103	
Actuator color / printing		
Product family	Rocker switches	
Actuation type	direct	
Weight	3.880 g	
ROHS conform	yes	
Switching function	Changeover switch with OFF position in the center (SPDT - Center OFF)	
Material fixed contact	Cu silver-plated	
Number of poles	1 - pole	
connections	Quick-connect terminal, 4.8 x 0.8	
Mechanical life endurance	5E4	
Rating IEC	6 (2) A 250 V AC 1E4	
Rating North America	6 A 125 - 250 V AC 1/8 HP	
Contact resistance (new condition)	< 100 (1 A 12 V DC) mOhm	
Insulation resistance (new condition)	> 100 (500 V DC) MOhm	
Voltage strength at 250 V	function insulation / basic insulation	1 500 V
	reinforced insulation	3 000 V
	small contact distance	500 V

Proof tracking	250 PTI
Insulation spacing	acc. to EN 61058 for reinforced or double insulation
Protection type	Connection IP 40 Actuator IP 40
Ambient temperature	-20 °C ... +100 °C
Ambient temperature	-20 °C ... +55 °C
Storage temperature	-40 °C ... +80 °C
Flammability	UL 94 V-2
Glow wire test temperature	850 °C
Actuators and additional actuators	rocker: PA, black, identification white
Housing description	housing: PA, black
Connection surface	bearing connection silver plated external connection silver plated
Contact material	Ag
Contact distance	< 3 mm
Rating Code UL	R 58
Contact type	lifting contact
Plug force of the terminals	≤ 80 N
Approval marks	CSA / UL / ENEC 05
Suitable for appliances of protection class	II
Additional labeling	site, year, week of manuf. acc. to DIN EN 60062
Type of fastening	Snap fastening
Degree of pollution	3
Stock version	●



X	Y	Z
0.75 ... 1.25	19.2 -0.1	12.9 +0.1
1.25 ... 2	19.4 -0.1	12.9 +0.1
2 ... 3	19.8 -0.1	12.9 +0.1

X = wall thickness

Technical changes reserved. Dimensions are not binding.
Detailed specifications available on request.

Marquardt GmbH · Schloss-Straße 16 · 78604 Rietheim-Weilheim · Germany
Phone: +49 (0) 7424 / 99-0 · Fax: +49 (0) 7424 / 99-2399 · www.marquardt.com · marquardt@marquardt.de