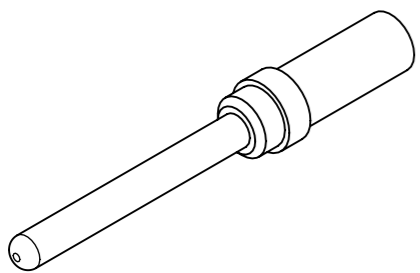
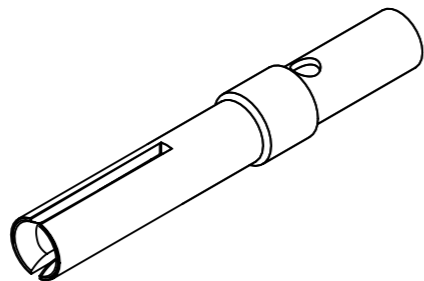


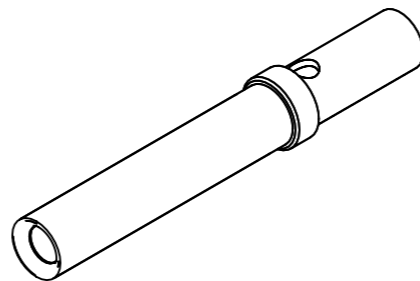
AWG	Type	Surface	Mod.	FCT Part Number	Material Number	Type	Surface	Mod.	FCT Part Number	Material Number	Type	Surface	Mod.	FCT Part Number	Material Number
AWG 18-22	FK20P18-	02V	-5783	FK20P18-02V-5783	1731120203	FK20SL18-	02V	-5783	FK20SL18-02V-5783	1731120217	FK20S18-	02V	-5783	FK20S18-02V-5783	1731120211
			-6096	FK20P18-02V-6096	1731120753			-6096	FK20SL18-02V-6096	1731121033			-6096	FK20S18-02V-6096	1731121030
			-6097	FK20P18-02V-6097	1731121028			-6097	FK20SL186-02V-6097	1731121034			-6097	FK20S186-02V-6097	1731121031
		08V	-5783	FK20P18-08V-5783	1731120204		08V	-5783	FK20SL18-08V-5783	1731120218		08V	-5783	FK20S18-08V-5783	
			-6096	FK20P18-08V-6096				-6096	FK20SL18-08V-6096				-6096	FK20S18-08V-6096	
			-6097	FK20P18-08V-6097				-6097	FK20SL18-08V-6097				-6097	FK20S18-08V-6097	
		13V	-5783	FK20P18-13V-5783	1731120205		13V	-5783	FK20SL18-13V-5783	1731120219		13V	-5783	FK20S18-13V-5783	1731120212
			-6096	FK20P18-13V-6096	1731121029			-6096	FK20SL18-13V-6096	1731121036			-6096	FK20S18-13V-6096	1731121032
			-6097	FK20P18-13V-6097				-6097	FK20SL18-13V-6097				-6097	FK20S18-13V-6097	
AWG 20-24	FK20P-	02V	-5783	FK20P-02V-5783	1731120200	FK20SL-	02V	-5783	FK20SL-02V-5783	1731120214	FK20S-	02V	-5783	FK20S-02V-5783	1731120209
			-6096	FK20P-02V-6096	1731120715			-6096	FK20SL-02V-6096	1731120730			-6096	FK20S-02V-6096	
			-6097	FK20P-02V-6097	1731120716			-6097	FK20SL-02V-6097	1731120731			-6097	FK20S-02V-6097	1731120725
		08V	-5783	FK20P-08V-5783	1731120201		08V	-5783	FK20SL-08V-5783	1731120215		08V	-5783	FK20S-08V-5783	
			-6096	FK20P-08V-6096	1731120717			-6096	FK20SL-08V-6096	1731120732			-6096	FK20S-08V-6096	
			-6097	FK20P-08V-6097	1731120718			-6097	FK20SL-08V-6097	1731120733			-6097	FK20S-08V-6097	
		13V	-5783	FK20P-13V-5783	1731120202		13V	-5783	FK20SL-13V-5783	1731120216		13V	-5783	FK20S-13V-5783	1731120210
			-6096	FK20P-13V-6096	1731120719			-6096	FK20SL-13V-6096				-6096	FK20S-13V-6096	1731120726
			-6097	FK20P-13V-6097	1731120720			-6097	FK20SL-13V-6097				-6097	FK20S-13V-6097	1731120727
AWG 26-28	FK20P26-	02V	-5783	FK20P26-02V-5783	1731120206	FK20SL26-	02V	-5783	FK20SL26-02V-5783	1731120220	FK20S26-	02V	-5783	FK20S26-02V-5783	
			-6096	FK20P26-02V-6096	1731120721			-6096	FK20SL26-02V-6096	1731120734			-6096	FK20S26-02V-6096	
			-6097	FK20P26-02V-6097	1731120722			-6097	FK20SL26-02V-6097	1731120735			-6097	FK20S26-02V-6097	
		08V	-5783	FK20P26-08V-5783	1731120207		08V	-5783	FK20SL26-08V-5783	1731120221		08V	-5783	FK20S26-08V-5783	
			-6096	FK20P26-08V-6096				-6096	FK20SL26-08V-6096	1731120736			-6096	FK20S26-08V-6096	
			-6097	FK20P26-08V-6097				-6097	FK20SL26-08V-6097				-6097	FK20S26-08V-6097	
		13V	-5783	FK20P26-13V-5783	1731120208		13V	-5783	FK20SL26-13V-5783			13V	-5783	FK20S26-13V-5783	1731120213
			-6096	FK20P26-13V-6096	1731120723			-6096	FK20SL26-13V-6096				-6096	FK20S26-13V-6096	1731120728
			-6097	FK20P26-13V-6097	1731120724			-6097	FK20SL26-13V-6097				-6097	FK20S26-13V-6097	1731120729
AWG 20-24	FK20PS-	08V	-6096	FK20PS-08V-6096	1731120752										



PIN
Material: Brass



SOCKET
Material: Copper alloy



SOCKET
Material: Copper alloy with sleeve made of stainless steel

RoHS compliant
by exemption

Availability on request, also nonmagnetic contacts.
Crimping Tools see catalogue.
Crimping Guideline see document: 2195600650
Packaging specification: 1731120004-PK

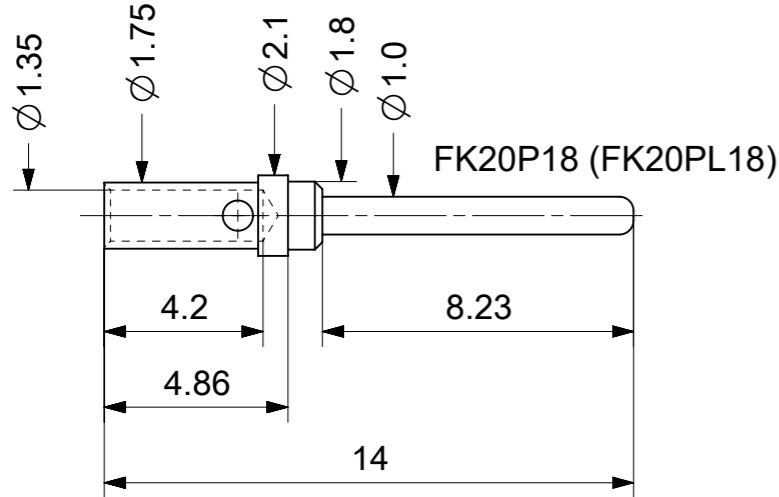
Ordering Example FK20SL-08V-5783
Crimp socket contact for wire size AWG 20-24.
Plating 0.8µm Au over Ni.
Packing see packaging specification.

UNLESS OTHERWISE SPECIFIED DIMENSIONS FOR REFERENCE ONLY				REPLACEMENT FOR DOCUMENT NUMBER: FK20-XX			
FUNCTIONAL SYMBOLS				THIS DRAWING CONTAINS INFORMATION THAT IS PROPRIETARY TO MOLEX ELECTRONIC TECHNOLOGIES, LLC AND SHOULD NOT BE USED WITHOUT WRITTEN PERMISSION			
DIMENSION UNITS		SCALE		CURRENT REV DESC:			
mm		5:1		EC NO: 733111			
GENERAL TOLERANCES (UNLESS SPECIFIED)				DRWN: GOOLAM 2021/09/27			
ANGULAR TOL ± °				CHK'D: MTEUBEL 2023/01/13			
4 PLACES ±				APPR: MTEUBEL 2023/01/13			
3 PLACES ±				INITIAL REVISION:			
2 PLACES ±				DRWN: GOOLAM 2021/09/27			
1 PLACE ±				APPR: MTEUBEL 2023/01/13			
0 PLACES ±				DOCUMENT NUMBER			
DRAFT WHERE APPLICABLE MUST REMAIN WITHIN DIMENSIONS				FIRST ANGLE PROJECTION		DRAWING	
A3-SIZE		SERIES		MATERIAL NUMBER		CUSTOMER	
173112		SEE TABLE		GENERAL MARKET		SHEET NUMBER	
1731120203		PSD 000 A		1 OF 2			

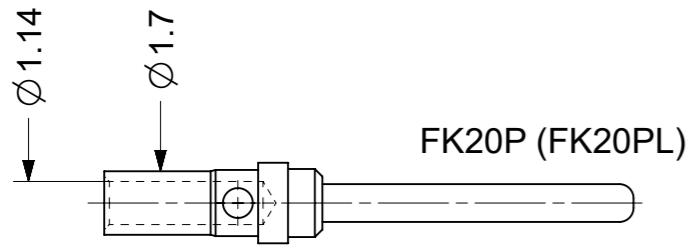
PIN

Material: Brass

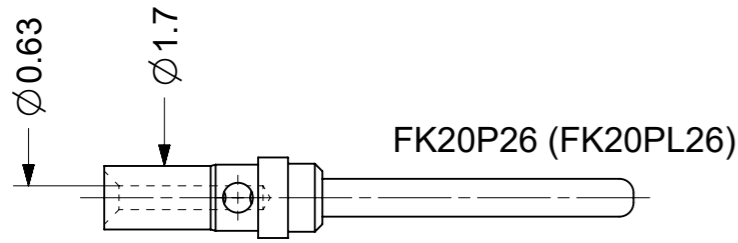
AWG
18-22



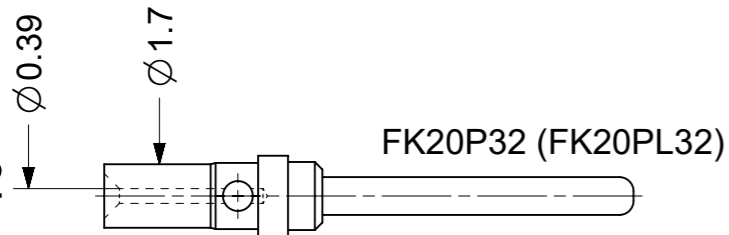
AWG
20-24



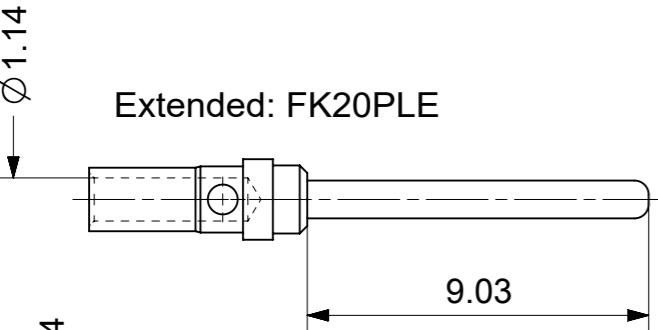
AWG
26-28



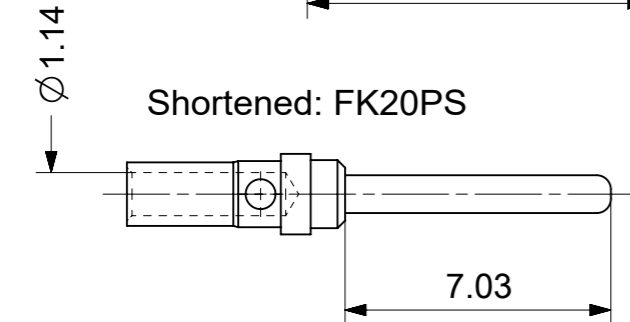
AWG
32



AWG
20-24



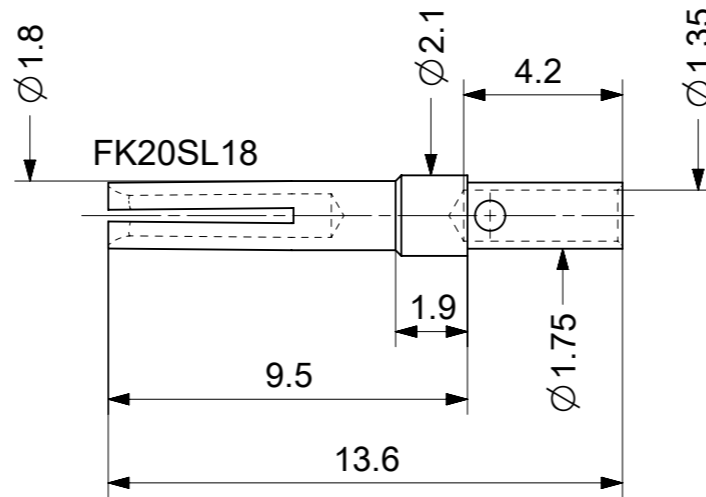
Shortened: FK20PS



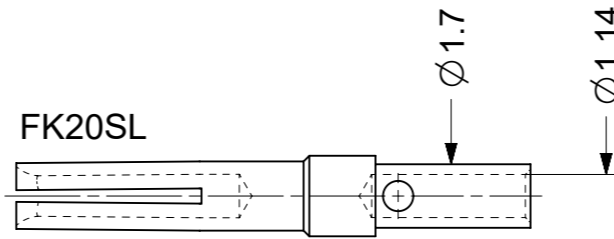
SOCKET

Material: Copper alloy

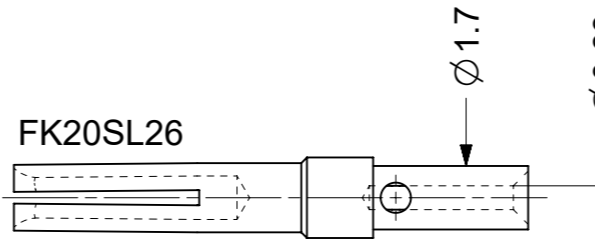
FK20SL18



FK20SL



FK20SL26

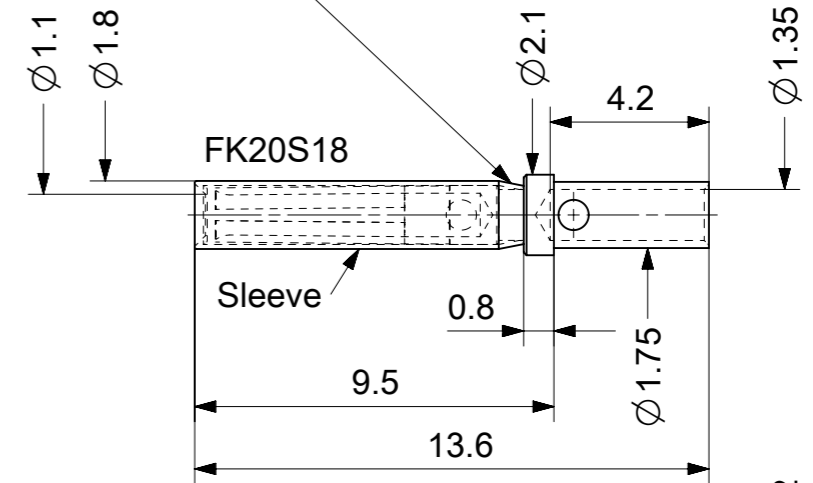


In the visible area
the contact can be
differ in the end
of the sleeve

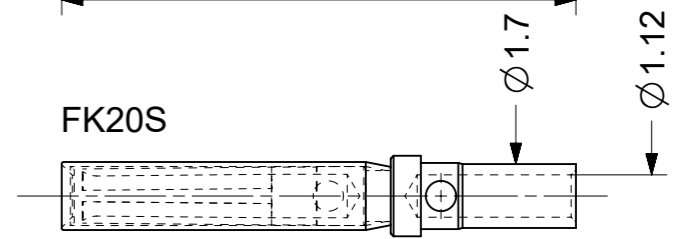
SOCKET

Material: Copper alloy with
sleeve made of stainless steel

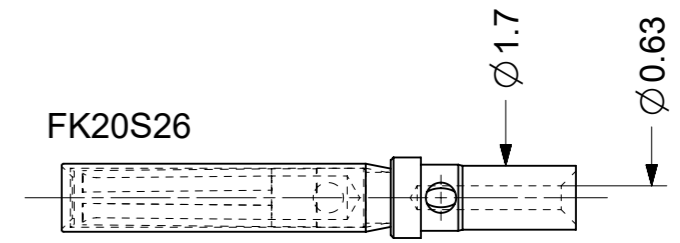
FK20S18



FK20S



FK20S26



Ordering Example FK20SL-08V-5783

Crimp socket contact for wire size AWG 20-24.

Plating 0.8µm Au over Ni.

Packing see packaging specification.

RoHS compliant
by exemption

Availability on request, also nonmagnetic contacts.

Crimping Tools see catalogue.

Crimping Guideline see document: 2195600650

Packaging specification: 1731120004-PK

UNLESS OTHERWISE SPECIFIED DIMENSIONS FOR REFERENCE ONLY			REPLACEMENT FOR DOCUMENT NUMBER: FK20-XX		
FUNCTIONAL SYMBOLS	THIS DRAWING CONTAINS INFORMATION THAT IS PROPRIETARY TO MOLEX ELECTRONIC TECHNOLOGIES, LLC AND SHOULD NOT BE USED WITHOUT WRITTEN PERMISSION		<div style="text-align: center; font-weight: bold; font-size: 1.2em;">molex</div> <p>FCT FK20 MACHINED CONTACTS FOR CRIMP CONNECTORS</p> <p>PRODUCT CUSTOMER DRAWING</p>		
$\nabla_A = 0$ $\nabla_E = 0$ $\nabla_V = 0$	DIMENSION UNITS: mm SCALE: 5:1 GENERAL TOLERANCES (UNLESS SPECIFIED): ANGULAR TOL: ± °	CURRENT REV DESC: EC NO: 733111 DRWN: GOOLAM 2021/09/27 CHK'D: MTEUBEL 2023/01/13 APPR: MTEUBEL 2023/01/13			
DIVISIONAL SYMBOLS	4 PLACES ± 3 PLACES ± 2 PLACES ± 1 PLACE ± 0 PLACES ±	INITIAL REVISION: DRWN: GOOLAM 2021/09/27 APPR: MTEUBEL 2023/01/13			
DRAFT WHERE APPLICABLE MUST REMAIN WITHIN DIMENSIONS		FIRST ANGLE PROJECTION 			
DOCUMENT STATUS	P1	RELEASE DATE	2023/01/13	09:58:15	DOCUMENT NUMBER: 1731120203 DOC TYPE: PSD DOC PART: 000 REVISION: A
MATERIAL NUMBER: SEE TABLE CUSTOMER: GENERAL MARKET SHEET NUMBER: 2 OF 2			SERIES: 173112 DRAWING: A3-SIZE		