

6

5

4

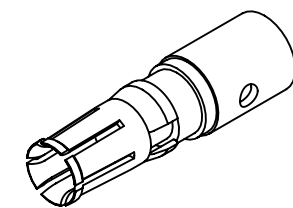
3

2

1

D

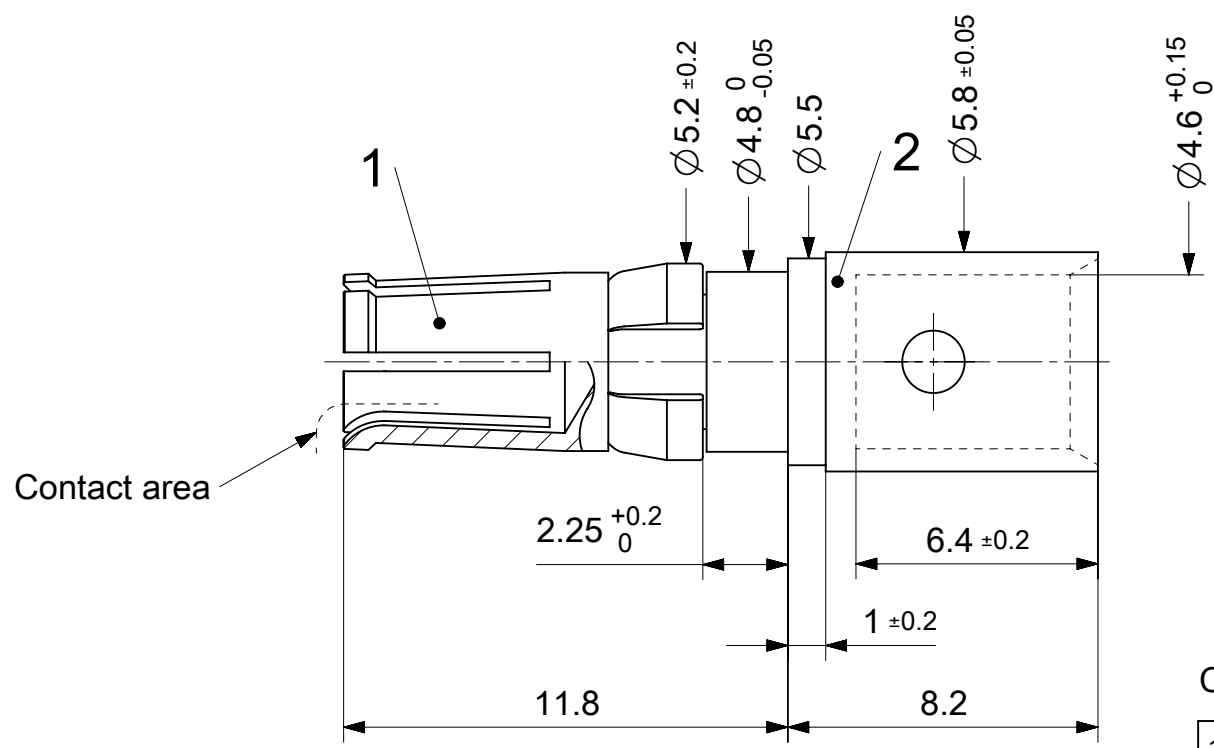
D



2:1

C

C



RoHS compliant
by exemption

Crimping tools see document 2195600660

1731120589	FMP132S103	103
1731120322	FMP132S204	204
Material Number	FCT Part Number	Material + Finish See extra sheet

B

B

UNLESS OTHERWISE SPECIFIED DIMENSIONS FOR REFERENCE ONLY				REPLACEMENT FOR DOCUMENT NUMBER: FMP132S			
THIS DRAWING CONTAINS INFORMATION THAT IS PROPRIETARY TO MOLEX ELECTRONIC TECHNOLOGIES, LLC AND SHOULD NOT BE USED WITHOUT WRITTEN PERMISSION							
FUNCTIONAL SYMBOLS	DIMENSION UNITS	SCALE	CURRENT REV DESC: A24338				
$\frac{F}{A} = 0$	mm	5:1	<p>EC NO: 704397</p> <p>DRWN: FVETTER 2022/04/25</p> <p>CHK'D: MSTEINBRUECK 2022/04/25</p> <p>APPR: MSTEINBRUECK 2022/04/25</p> <p>INITIAL REVISION:</p> <p>DRWN: VLOKESHA 2021/04/14</p> <p>APPR: MTEUBEL 2021/11/29</p>				
$\frac{F}{E} = 0$	GENERAL TOLERANCES (UNLESS SPECIFIED)						
$\frac{F}{P} = 0$	ANGULAR TOL \pm °						
DIVISIONAL SYMBOLS	4 PLACES	\pm					
	3 PLACES	\pm	PRODUCT CUSTOMER DRAWING				
	2 PLACES	\pm	DOCUMENT NUMBER		DOC TYPE	DOC PART	REVISION
	1 PLACE	\pm	1731120589		PSD	000	B
	0 PLACES	\pm	MATERIAL NUMBER		CUSTOMER		SHEET NUMBER
DRAFT WHERE APPLICABLE MUST REMAIN WITHIN DIMENSIONS		FIRST ANGLE PROJECTION	DRAWING	SERIES	GENERAL MARKET		1 OF 1
			A4-SIZE	173112			

A

A

DOCUMENT STATUS	P1	RELEASE DATE	2022/04/25	12:18:10
-----------------	----	--------------	------------	----------

6

5

4

3

2

1

FORMAT: master-ib-prod-A4
REVISION: J
DATE: 2020/01/14