

**PLEASE CHECK WWW.MOLEX.COM FOR LATEST PART INFORMATION**

**Part Number:** [1727040068](#)  
**Status:** **Active**  
**Overview:** [FCT D-Sub Connectors](#)  
**Description:** FCT Standard-Density D-Sub Connector, Female, Straight, IDC Ribbon, 0.20µm Gold Plating, 25 Circuits, Black Insulator

**Documents:**

[Datasheet \(PDF\)](#)  
[Brochure \(PDF\)](#)

[RoHS Certificate of Compliance \(PDF\)](#)

**General**

Product Family	D-Sub Products
Series	<a href="#">172704</a>
IP Rating	IP20
Overview	<a href="#">FCT D-Sub Connectors</a>
Product Category	D-Sub Connector
Product Name	FCT Products
Taxonomy	D-Sub Connectors
Type	Standard Density
UPC	889056019798

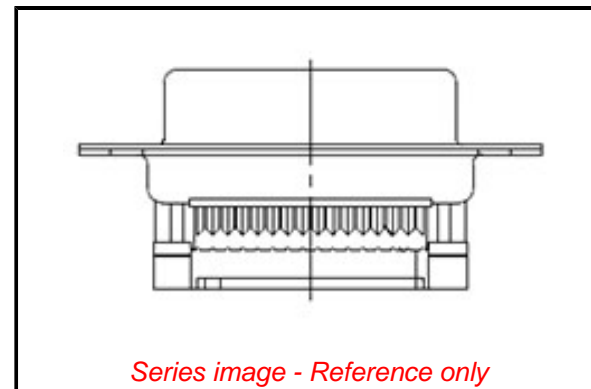
**Physical**

Circuits (Loaded)	25
Circuits (maximum)	25
Color - Resin	Black
Durability (mating cycles max)	50
Gender	Female
Material - Contact	Copper Alloy
Material - Resin	PBT
Material - Shell	Steel
Net Weight	16.000/g
Number of Rows	2
Orientation	Straight
PCB Locator	No
PCB Retention	None
Packaging Type	Tray
Panel Mount	Rear
Panel Mount Method	Flange
Pitch - Mating Interface	2.84mm
Pitch - Termination Interface	2.84mm
Plating - Contact	Gold over Nickel
Plating - Shell	Tin
Plating min - Mating	0.200µm
Plating min - Termination	2.000µm
Polarized to Mating Part	Yes
Ports	1
Shielded	Yes
Temperature Range - Operating	-55° to +130°C
Termination Style	IDC Ribbon
Waterproof / Dustproof	No
Waterproof / Dustproof Type	IP20
Wire Size AWG	28

**Electrical**

Current - Maximum per Contact	1.5A
-------------------------------	------

**Material Info**



**EU ELV**

**Not Relevant**

**EU RoHS**

**Compliant**

**REACH SVHC**

Not Contained Per -  
D(2022)4187-DC (10  
June 2022)

**Halogen-Free**

**Status**

**Not Reviewed**

For more information, please visit [Contact US](#)

China ROHS

ELV

RoHS Phthalates

**China RoHS**

Green Image

Not Relevant

Not Contained

**Search Parts in this Series**

[172704 Series](#)

**Mates With**

FCT Standard-Density D-Sub, Size 3, 25  
Position, Plug

This document was generated on 01/07/2023

**PLEASE CHECK [WWW.MOLEX.COM](http://WWW.MOLEX.COM) FOR LATEST PART INFORMATION**