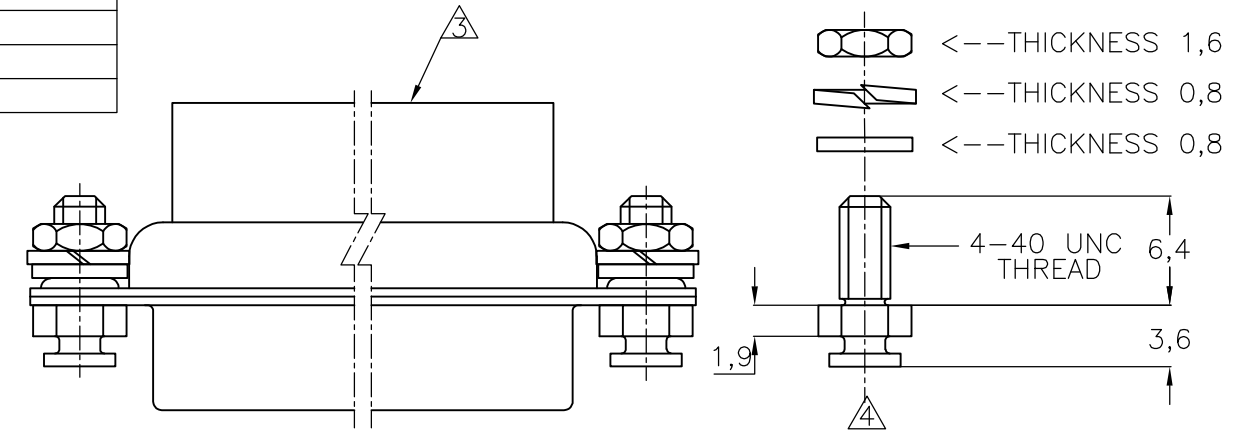


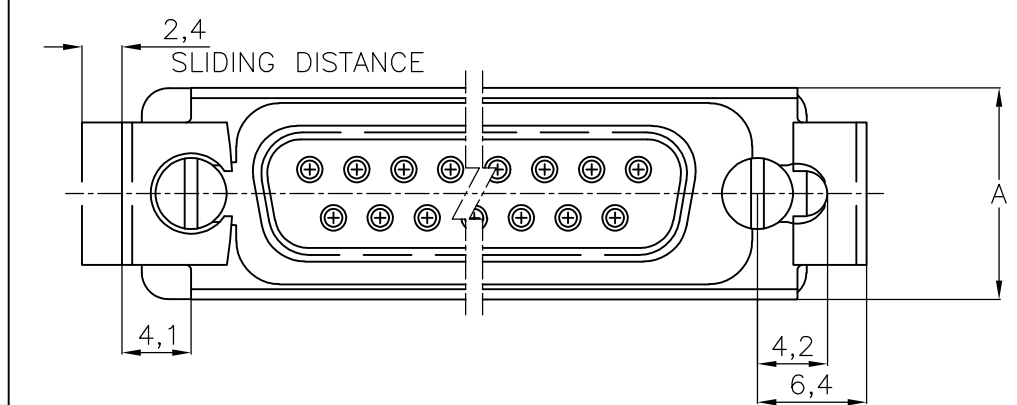
THIS DRAWING IS UNPUBLISHED. RELEASED FOR PUBLICATION -- -- --

© COPYRIGHT - By - ALL RIGHTS RESERVED.

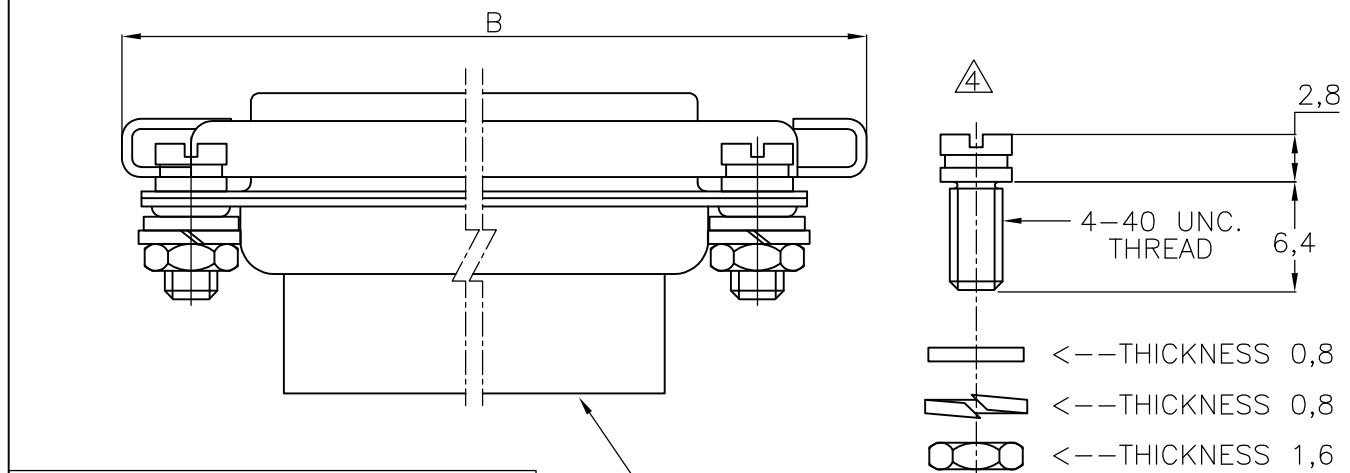
KIT CONSISTS OF :	
2	LOCKING POSTS
2	WASHERS
2	SPRINGWASHERS
2	NUTS



LOCKING POST ASS'Y KIT:164900-[]



KIT CONSISTS OF :	
1	LATCH
2	SLIDE LATCH POSTS
2	WASHERS
2	SPRINGWASHERS
2	NUTS



SLIDE LATCH ASS'Y KIT:164892-[]

LOC	DIST	REVISIONS					
H	-	P	LTR	DESCRIPTION	DATE	DWN	APVD
			R3	OBSOLETE PER ECO-14-009936	08JUL2014	CJV	PAR

NOTES:

- 1 PARTS PACKED UNASSEMBLED IN PLASTIC BAG.
- 2 FOR MOUNTING-INSTRUCTIONS SEE I-042-087.
- 3 CONNECTORS DRAWN FOR REFERENCE ONLY.
- 4 DRAWN APART FOR DIMENSIONS ONLY.
- 5 TO MATE 1 PLUG- AND 1 RECEPTACLE CONN., ONE KIT 164892-[] AND ONE KIT 164900-[] HAS TO BE ORDERED.
- 6 KIT PACKAGE.
- 7 BULKPACKAGE CONSISTS OF 1000 KITS ; PLEASE ORDER IN UNITS OF 1000 KITS.
- 8 BULKPACKAGE CONSISTS OF 50 KITS ; PLEASE ORDER IN UNITS OF 50 KITS.
- 9 MATERIAL AND FINISHING :
SLIDE LATCH : STAINLESS STEEL
- 10 SCREWS,WASHERS AND NUTS :ZINCPLATED STEEL.
- 11 SCREWS,WASHERS AND NUTS :BRIGHT TINPLATED STEEL.
- 12 164892-1, 0__6, 1__1, 2__1, 2__6, SUPERSEDED BY 1-164892-6.
- 13 164892-2, 0__7, 1__2, 2__2, 2__7, SUPERSEDED BY 1-164892-7.
- 14 164892-3, 0__8, 1__3, 2__3, 2__8, SUPERSEDED BY 1-164892-8.
- 15 164892-4, 0__9, 1__4, 2__4, 2__9, SUPERSEDED BY 1-164892-9.
- 16 164892-5, 1__0, 1__5, 2__5, 3__0, SUPERSEDED BY 2-164892-0.
- 17 164900-2, -3, -4, -6, -7, SUPERSEDED BY 164900-5.
- 18 OBSOLETE PARTS: OBSOLETE CIS STREAMLINING PER D.RENAUD/D.SINISI
- 19 OBSOLETE

OBSOLETE

				17	164900-4	17	164900-3	17	164900-2
5	50	15,1	71,6	16	1-164892-5	16	1-164892-0	16	164892-5
4	37	12,4	74,0	15	1-164892-4	15	164892-9	15	164892-4
3	25	12,4	57,5	14	1-164892-3	14	164892-8	14	164892-3
2	15	12,4	43,8	13	1-164892-2	13	164892-7	13	164892-2
1	9	12,4	35,5	12	1-164892-1	12	164892-6	12	164892-1
SIZE	NO.OF POS.	DIM."A"	DIM."B"		PARTNUMBER 8		PARTNUMBER 7		PARTNUMBER 6

				17	164900-7	17	164900-6		164900-5
5	50	15,1	71,6	16	3-164892-0	16	2-164892-5		2-164892-0
4	37	12,4	74,0	15	2-164892-9	15	2-164892-4	1	1-164892-9
3	25	12,4	57,5	14	2-164892-8	14	2-164892-3	1	1-164892-8
2	15	12,4	43,8	13	2-164892-7	13	2-164892-2	1	1-164892-7
1	9	12,4	35,5	12	2-164892-6	12	2-164892-1	1	1-164892-6
SIZE	NO.OF POS.	DIM."A"	DIM."B"		PARTNUMBER 8		PARTNUMBER 7		PARTNUMBER 6

THIS DRAWING IS A CONTROLLED DOCUMENT.

DIMENSIONS: mm		TOLERANCES UNLESS OTHERWISE SPECIFIED:	
		0 PLC ± -	
		1 PLC ± -	
		2 PLC ± -	
		3 PLC ± -	
		4 PLC ± -	
		ANGLES ± -	
MATERIAL		FINISH	

DWN	B.MOOIJ.	07OCT87
CHK	C.V.TILBURG.	12OCT87
APVD	L.V.SOEST	14OCT87
PRODUCT SPEC		
APPLICATION SPEC		
WEIGHT		
CUSTOMER DRAWING		

OBSOLETE TE Connectivity

AMPLIMATE

ONE PIECE SLIDE LATCH AND LOCKING-POST KITS

SIZE	CAGE CODE	DRAWING NO	RESTRICTED TO
A3	00779	C-164892	-

SCALE NTS SHEET 1 OF 1 REV R3