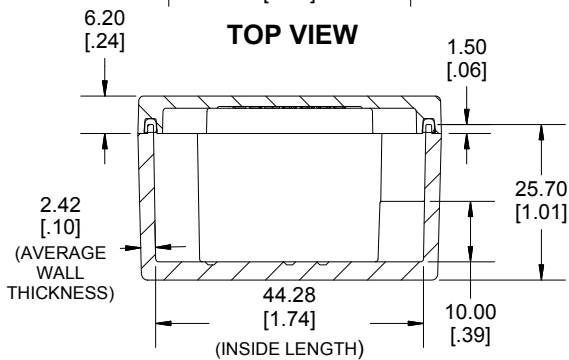
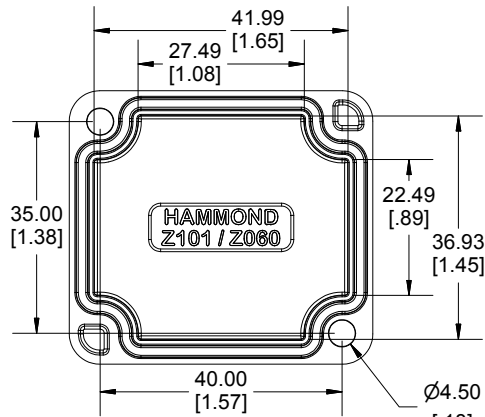


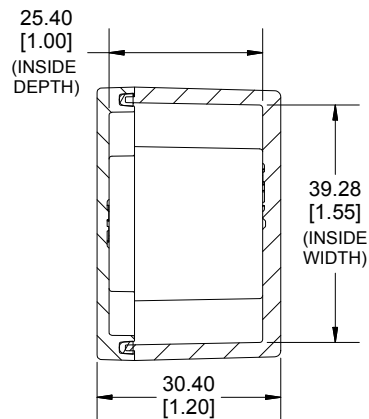
TOP VIEW



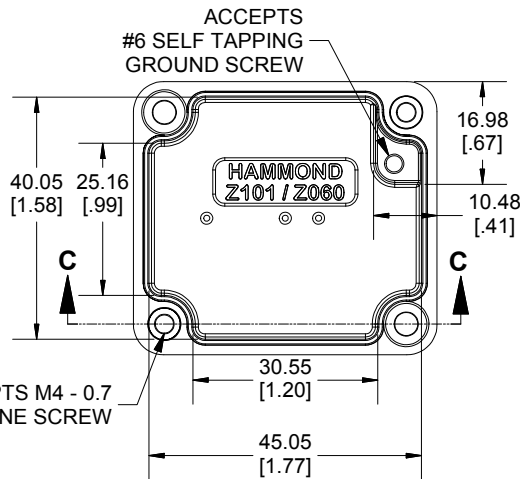
**SECTION B-B
SIDE VIEW**



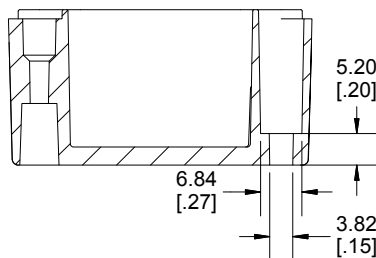
INSIDE LID



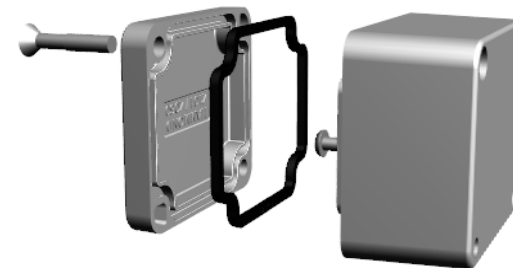
**SECTION A-A
END VIEW**



INSIDE BOX



**SECTION C-C
MOUNTING HOLE**



Enclosures can be Factory Modified (Milling, Drilling, Printing etc.)
 Contact Factory mjm@hammondmfg.com for quotes
 Solid models of this enclosure available in STEP or IGES.
 (Part number and text placement/orientation on our products are subject to change,
 we do not recommend using them as a locating reference for modification purposes)

NOTE

Purchased assembly includes box, lid, silicone gasket,
 2 cover screws and 1 ground screws
 Box and lid are made from Diecast Aluminum Alloy.

Recommended cover screw Torque 5-7.5 lbf.in (50 -75 cN.m)

1590Z060	
1590Z060 Enclosure	
Basic Enclosure	1590Z060
Black Enclosure	1590Z060BK
Grey Enclosure - RAL7001 Gloss	1590Z060GY
ACCESSORIES	
Pre-Formed Silicone Gasket	1590Z060G
Plated Ground Hardware (6 Pack) [SCREW 6-32X1/4 PH TYPE C]	1421J6

Dimensions:
 mm
 [inches]

**HAMMOND
MANUFACTURING**

1590Z060
www.hammondmfg.com