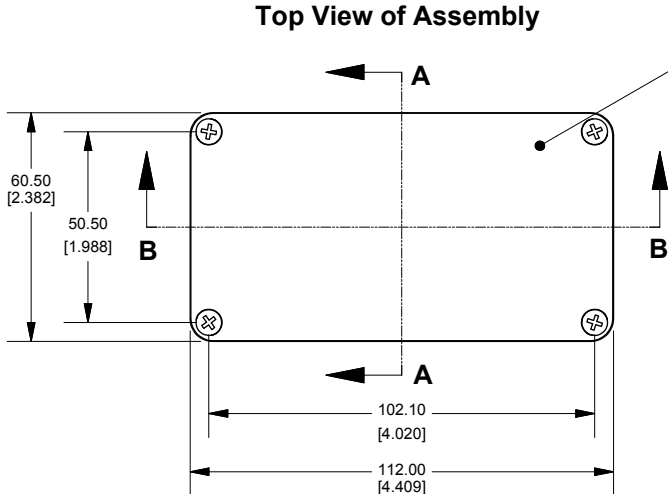
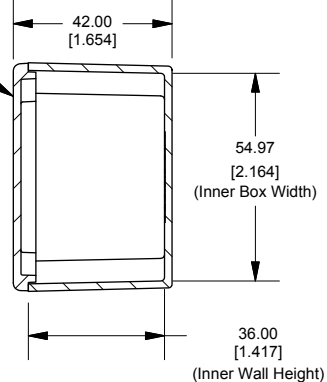


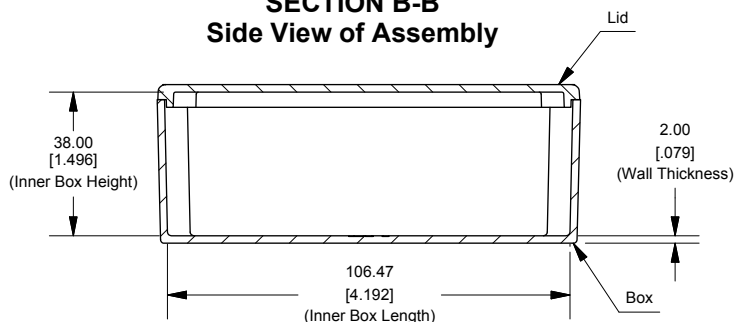
### Top View of Assembly



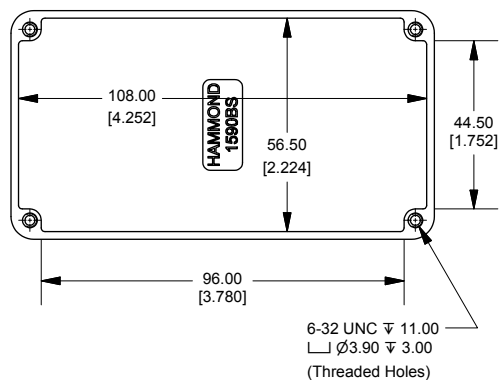
### SECTION A-A End View of Assembly



### SECTION B-B Side View of Assembly



### Top View Looking Inside Box



Enclosures can be Factory Modified ( Milling, Drilling, Printing etc.)  
 Contact Factory [mjm@hammondmfg.com](mailto:mjm@hammondmfg.com) for quotes  
 Solid models of this enclosure available in STEP or IGES.

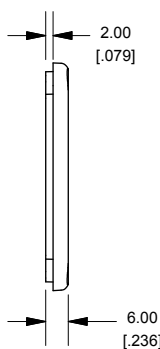
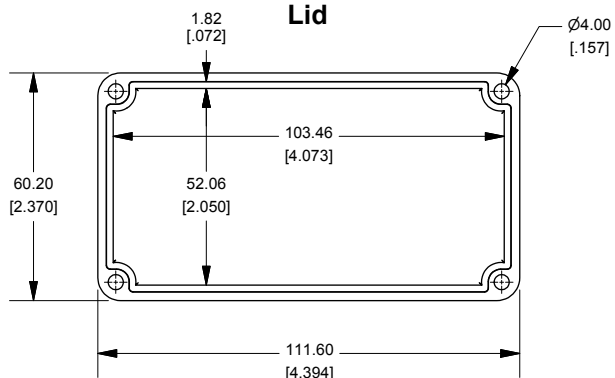
#### NOTE

Purchased assembly includes box, lid and 4 cover screws.  
 Box and lid are made from Diecast Aluminum Alloy.  
 Silicone Gasket supplied with liquid resistant enclosure.

#### PART NUMBERS

| 1590BS Enclosure  |              |
|---|--------------|
| Natural Finish Enclosure  | 1590BS       |
| Black Textured Enclosure  | 1590BSBK     |
| 1590BS Liquid Resistant Enclosure (Silicone Gasket)                       |              |
| Natural Finish Enclosure  | 1590WBS      |
| Black Textured Enclosure  | 1590WBSBK    |
| ACCESSORIES   |              |
| Recommended Torque: 75 ozf.in / 55 cN.m                                   |              |
| Liquid Resistant Cover Screws   |              |
| Stainless Steel Cover Screws (Pkg 100)<br>[6-32 x 1/2" With O-Ring]       | 1590WMS100   |
| Black Stainless Steel Cover Screws (Pkg 100)<br>[6-32 x 1/2" With O-Ring] | 1590WMS100BK |
| Standard Cover Screws   |              |
| Plated Cover Screws (Pkg 100)<br>[6-32 x 1/2"]                            | 1590MS100    |
| Black Cover Screws (Pkg 100)<br>[6-32 x 1/2"]                             | 1590MS100BK  |

### Lid



Dimensions:  
mm  
[inches]