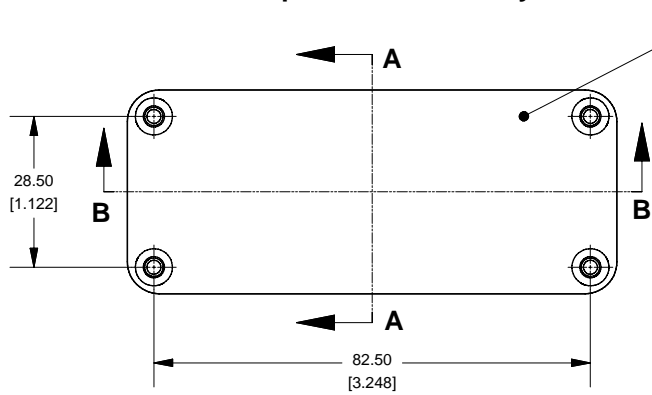
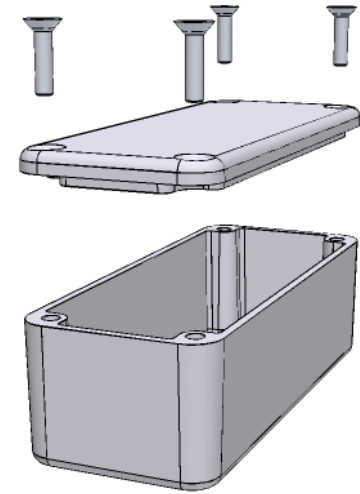
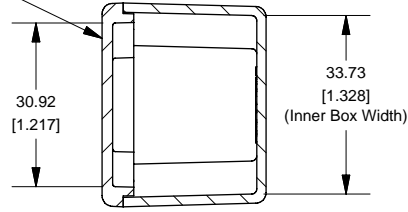


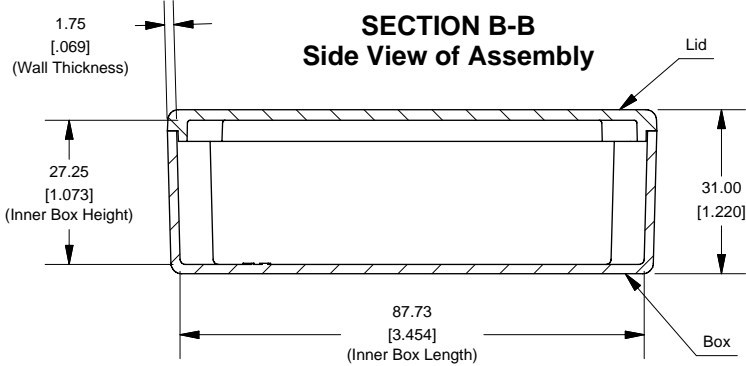
Top View of Assembly



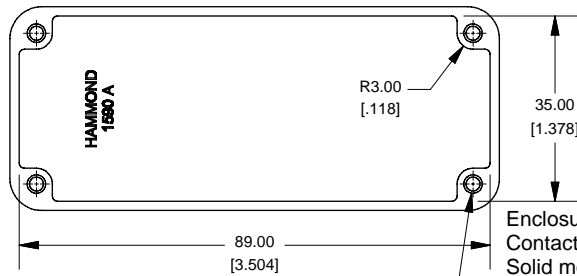
SECTION A-A  
End View of Assembly



SECTION B-B  
Side View of Assembly



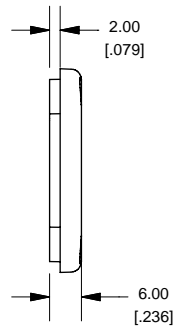
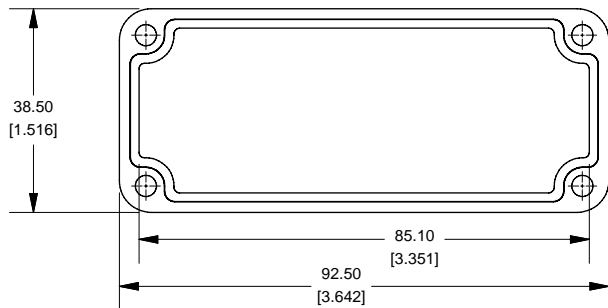
Top View Looking Inside Box



Enclosures can be Factory Modified (Milling, Drilling, Printing etc.)  
Contact Factory [mjm@hammondmfg.com](mailto:mjm@hammondmfg.com) for quotes  
Solid models of this enclosure available in STEP or IGES.

6-32 UNC - 2B  $\nabla$  10.00  
 $\perp$   $\varnothing$ 3.50  $\nabla$  3.00  
(Threaded Holes)

Lid



**NOTE**

Purchased assembly includes box, lid and 4 cover screws.  
Box and lid are made from Diecast Aluminum Alloy (alloy type 380).  
Silicone Gasket Loctite #5950

**PART NUMBERS**

1590A Enclosure	
Unfinished	1590A
Grey Textured Polyester Powder Paint - RAL 7038	1590AGY
Black Textured Polyester Powder Paint - RAL 9011	1590ABK
1590A Liquid Resistant Enclosure (Silicon Factory Installed Gasket)	
Unfinished	1590WA
Black Textured Powder Paint	1590WABK
ACCESSORIES	
Recommended Torque: 75 ozf.in / 55 cN.m	
Black Textured Cover Screws (Pkg 50) [6-32 x 1/2" SS Type 304]	1590WMS100BK
Unfinished Cover Screws (Pkg 100) [6-32 x 1/2" Nickel Plated Screws]	1590WMS100
Standard Cover Screws	
Unfinished Cover Screws (Pkg 100) [6-32 x 1/2" Nickel Plated Screws]	1590MS100
Black Textured Cover Screws (Pkg 50) [6-32 x 1/2" SS Type 304]	1590MS100BK

**HAMMOND  
MANUFACTURING™**  
1590A  
[www.hammondmfg.com](http://www.hammondmfg.com)