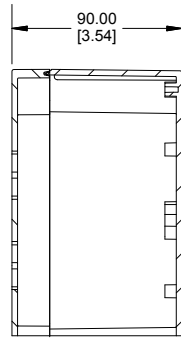
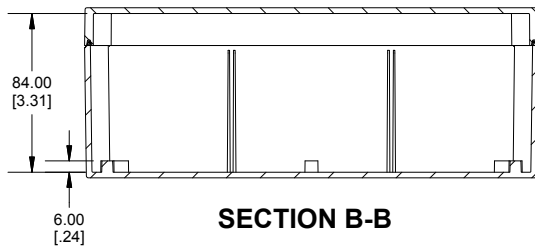
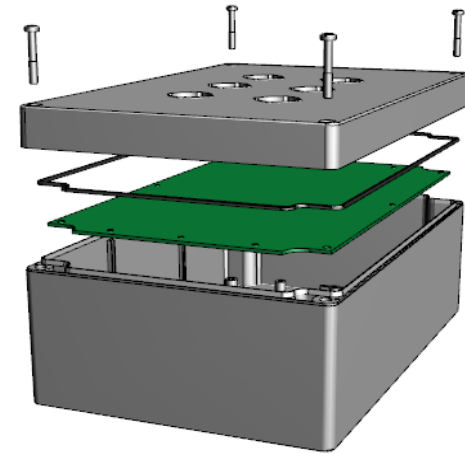


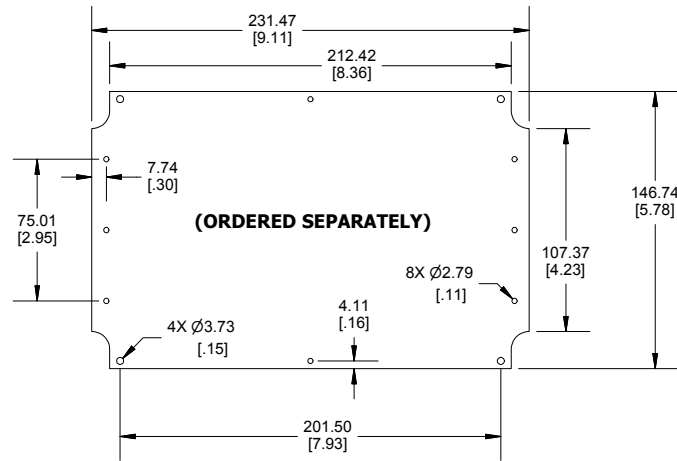
ASSEMBLY



SECTION A-A



SECTION B-B



(ORDERED SEPARATELY)

POLYCARBONATE
VERSION ONLY
UL US LISTED
FILE #E65324
TYPE 4, 4X

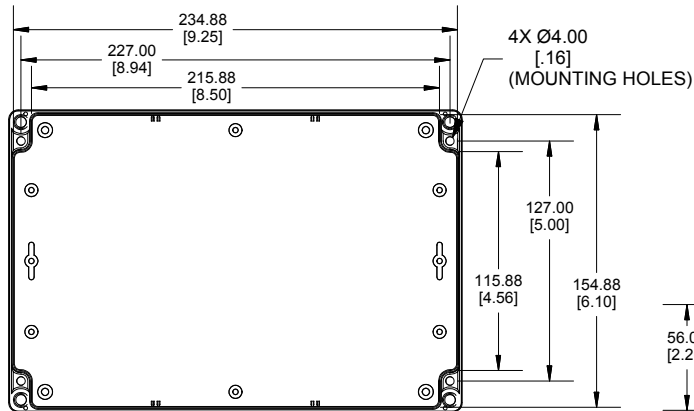
SEE ENCLOSURE 1554V
FOR MORE DETAIL

Enclosures can be Factory Modified (Milling, Drilling, Printing etc.)
Contact Factory mjm@hammondmfg.com for quotes
Solid models of this enclosure available in STEP or IGES.
(Part number and text placement/orientation on our products are subject to change,
we do not recommend using them as a locating reference for modification purposes)

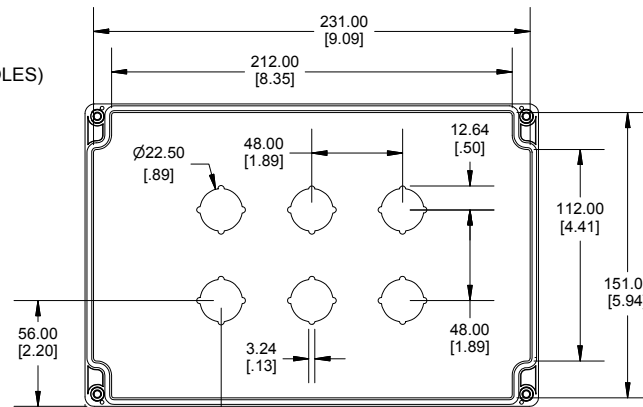
NOTE

Purchased assembly includes box, lid, 4 cover screws, and preformed silicone gasket.
Polycarbonate version is UL 508A approved. (Matl UL94 - 5VA @ 3mm)
Lid accepts 22.5mm push buttons

Recommended Cover screw torque -- 71-85 ozf-in (50-60 cN-m)



BOX - INSIDE



LID - INSIDE

Dimensions:
mm
[inches]

1554MPB	
1554MPB Enclosure	
Polycarbonate RAL-7035	1554MPB6
ACCESSORIES	
Steel Inner Panels	1554VPL
Steel Panel / P.C. Board (Pkg 100) [M3-0.5 x 8mm Plated]	1591MM100
Steel Panel / P.C. Board Self Tapping Screw [#6 X 1/4" (6.4mm) Plated] (Pkg 100)	1598ATS100
Cover Screws (Pkg 50) [M4-0.7 X 25mm Stainless Steel]	SC583-50

**HAMMOND
MANUFACTURING**

1554MPB6
www.hammondmfg.com