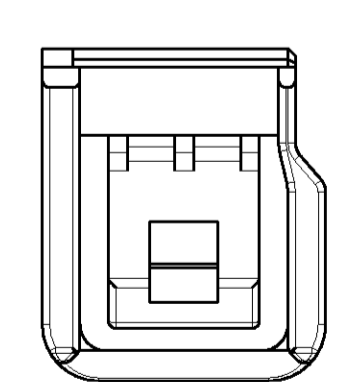
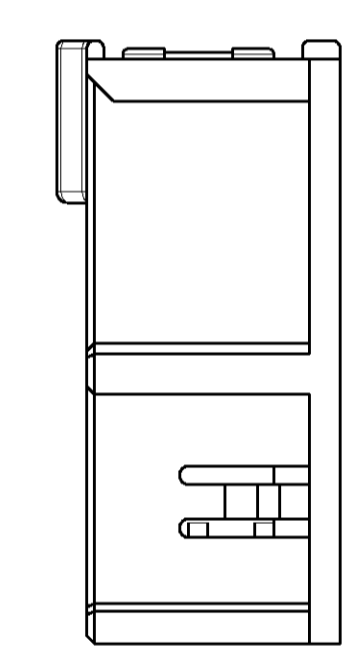
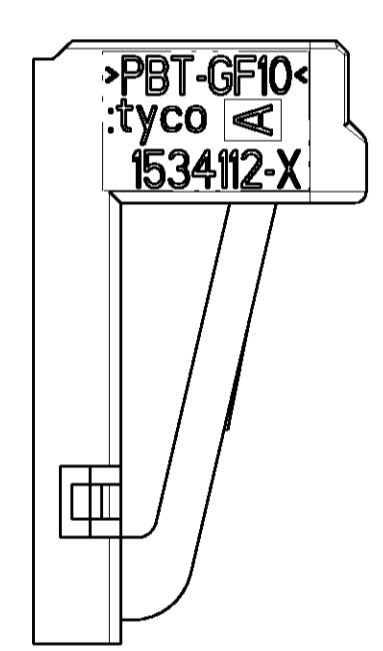
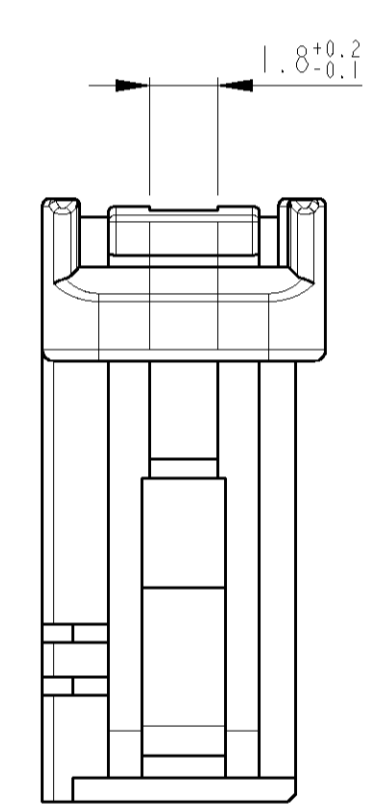
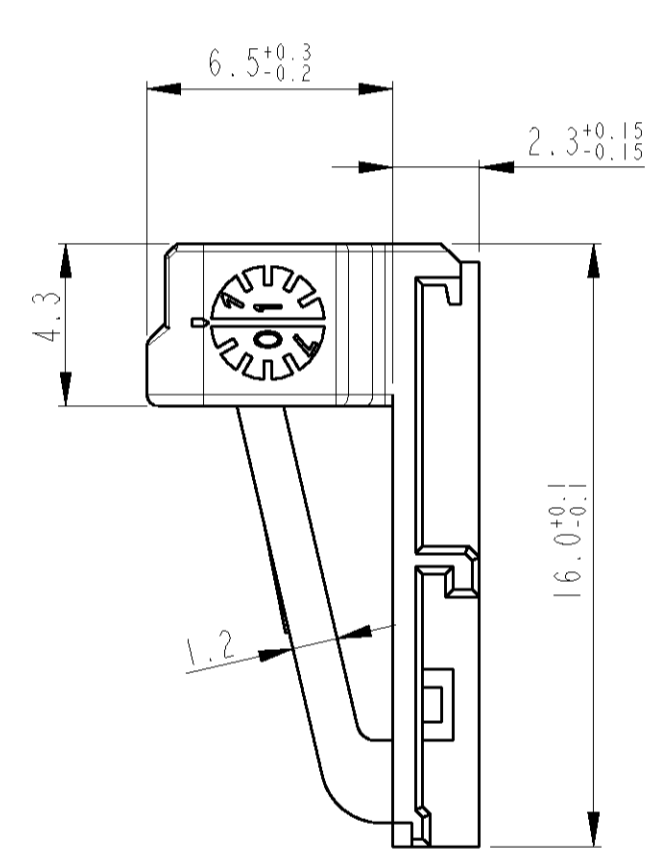
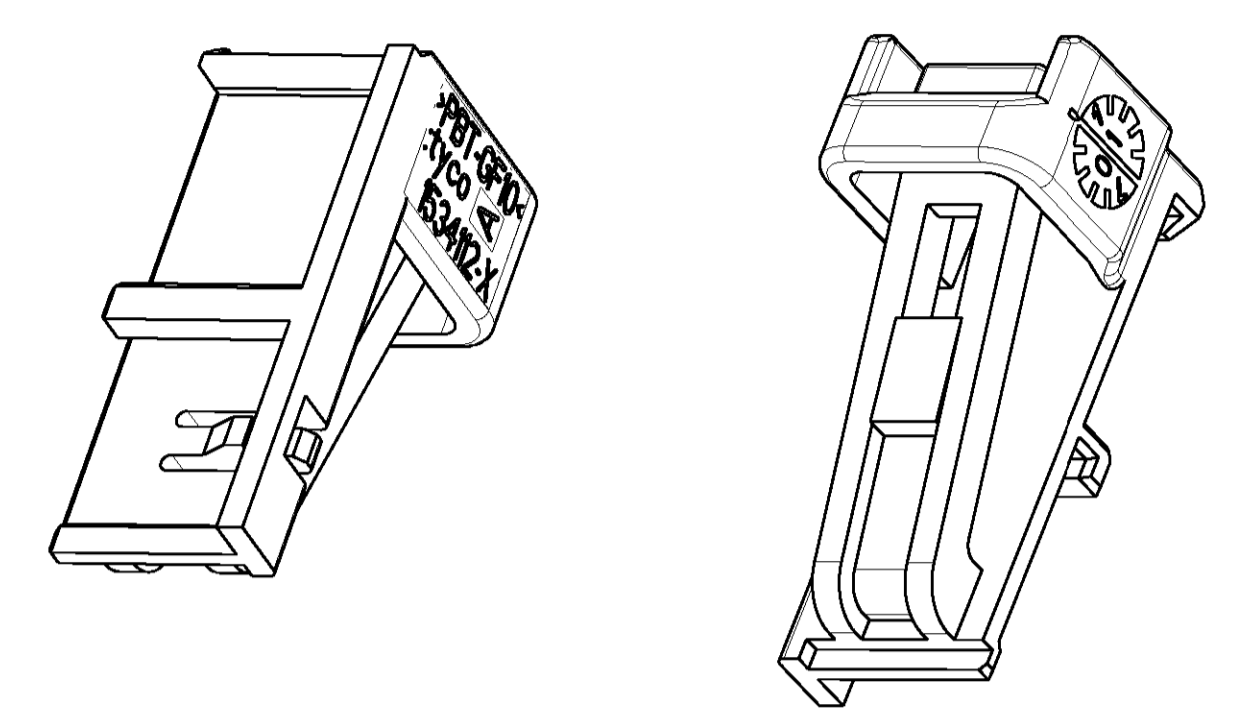
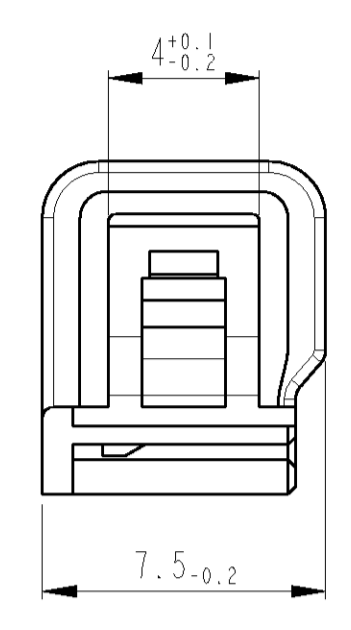


LOC	DIST	REV.	STR.	POS.	DATE	DWN	APVD
A1	-				09JAN02	GF	BK
		A1			22JUL2003	PS	PS



Bemerkungen

- 1 Verwendet mit Buchsengehäuse 1534113
- 2 Gegenstecker nach Zeichnung 114-18489

NOTES

- 1 USED WITH REC.HSG. 1534113
- 2 MATING PART EXECUTION ACC. TO DRAWING 114-18489

1534112-1	A	1	1	PBT-GF10	BLACK/ schwarz	RETAINER/ Verriegelung
Teil-Nr. PART no.	REV.	STR. QTY.	POS.	MATERIAL	Oberfläche/ Farbe SURFACE/ COLOUR	Benennung DESCRIPTION

<small>THIS DRAWING IS UNPUBLISHED. RELEASED FOR PUBLICATION BY TICO ELECTRONICS CORPORATION. ALL RIGHTS RESERVED. DATE: 09JAN02</small>		DWN G. Fischer	09JAN02	tyco Electronics		AMP Deutschland GmbH D - 63225 Langen
<small>DESIJNIRER: B. Kirsch</small>		CHK B. Kirsch	09JAN02	NAME RETAINER, 2 POSN., REC.HSG., MQS Verriegelung, 2 pol., Buchsengeh., MQS		
DIMENSIONS: MASSEINHEITEN: mm TOLERANCES: UNLESS OTHERWISE SPECIFIED: ALL DIMENSIONS IN TOLERANCES		PRODUCT SPEC: DIM 16001-140 APPLICATION SPEC: PLC		SIZE: A1 CAGE CODE: 00779 DRAWING NO: 1534112		RESTRICTED TO NUR FÜR
MATERIAL: - FINISH/OBERFLÄCHE/FARBE: -		WEIGHT: - CUSTOMER DRAWING		SCALE: 5:1 SHEET: 1 OF 1 REV: A2		