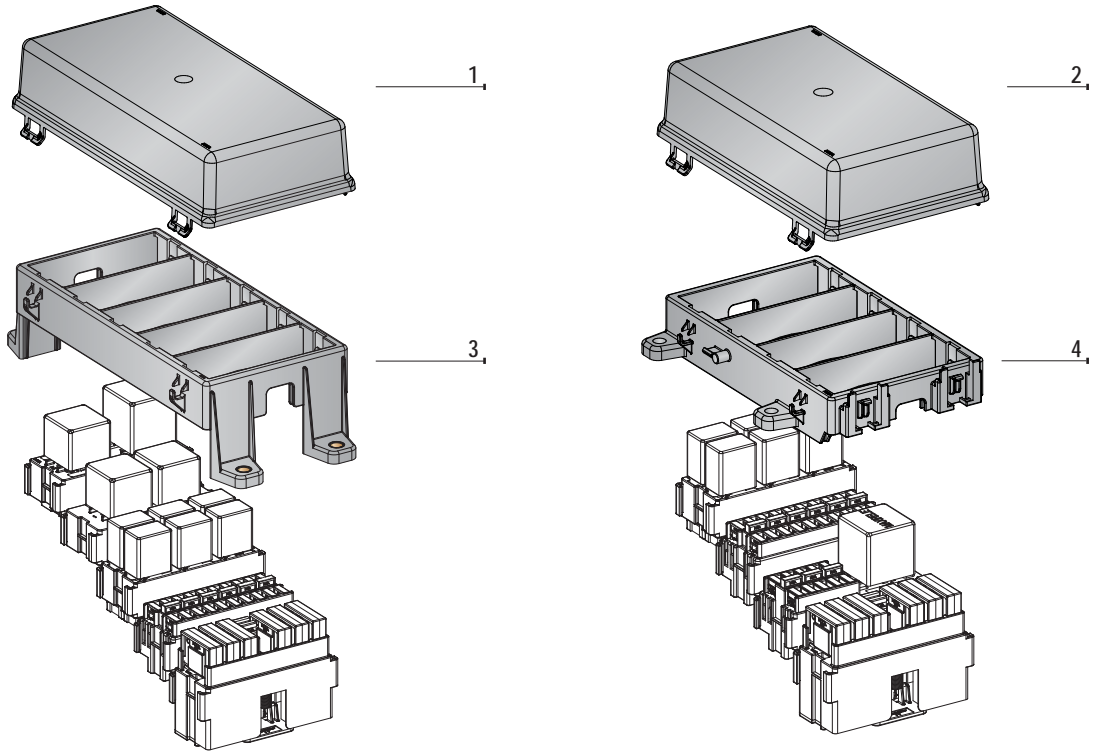
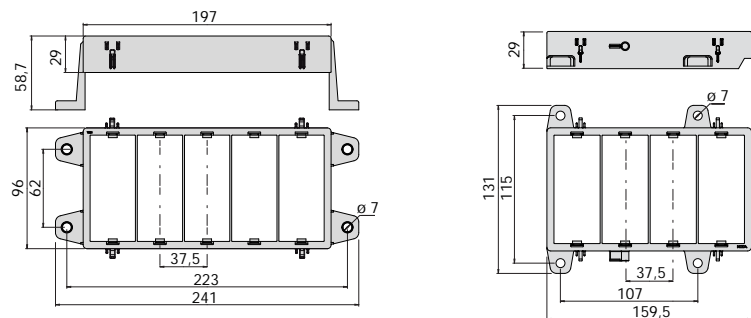


FRAMES & COVERS



IMG	DESCRIPTION	WAY	MATERIAL	COLOUR		P/N BOX	M.O.Q.	P/N BULK	M.O.Q.
1	COVER	5	PP GF30	■ Grey		0101540	1	0301540	70
2	COVER	4	PP GF30	■ Grey		0101530	1	0301530	63
3	FRAME	5	PP GF30	■ Grey		0101450	1	0301450	85
4	FRAME	4	PP GF30	■ Grey		0101520	1	0301520	63



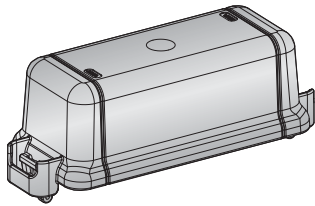
CONNECTIONS AND FIXINGS



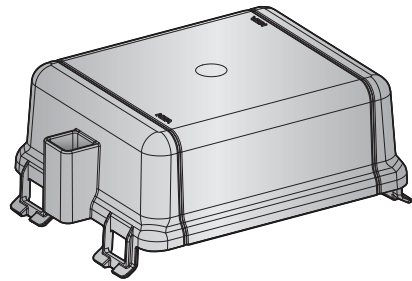
0301630

IMG	3+4
-----	-----

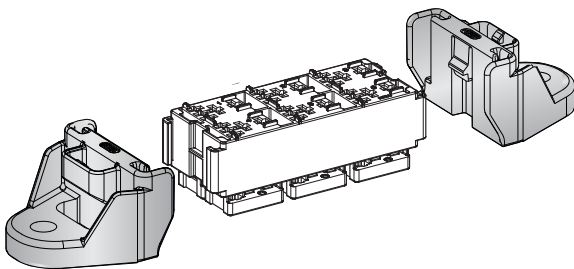
BRACKETS & COVERS



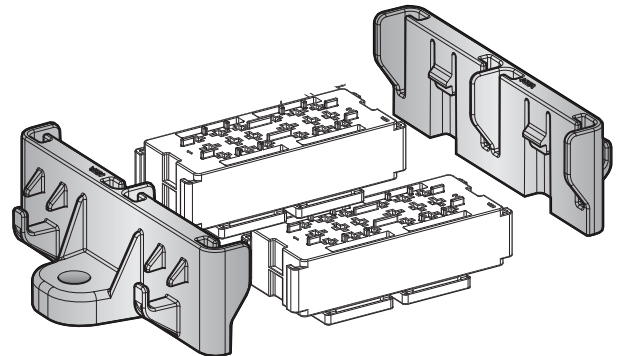
1



2

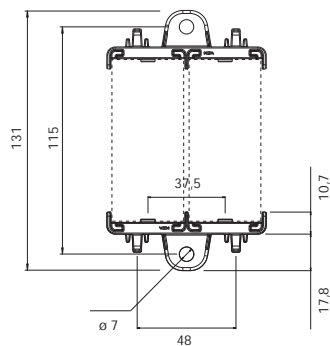
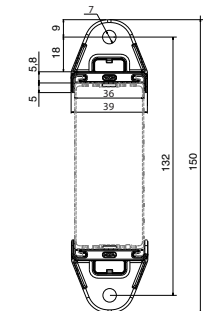
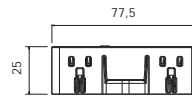
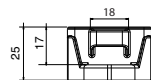


3

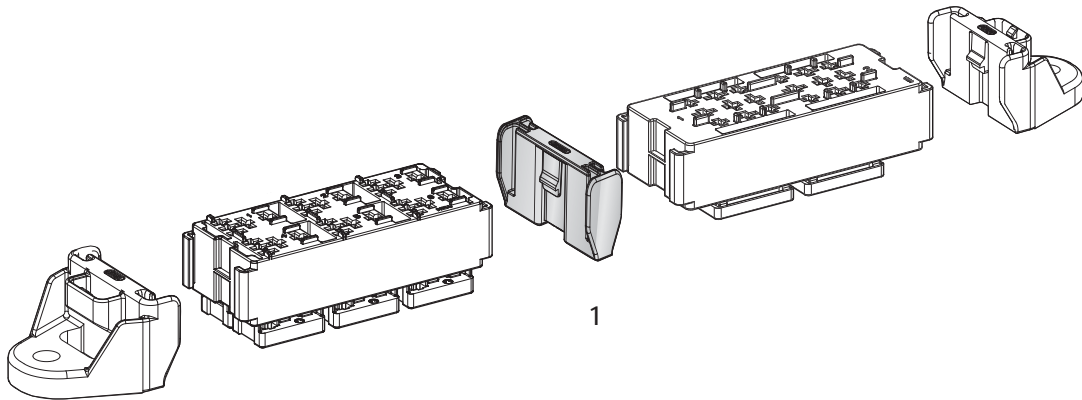


4

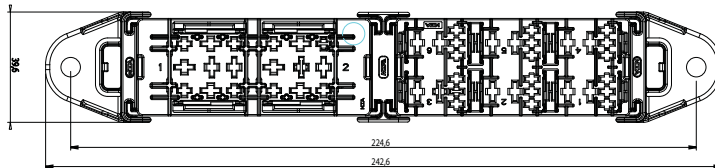
IMG	DESCRIPTION	WAY	MATERIAL	COLOUR		P/N BOX	M.O.Q.	P/N BULK	M.O.Q.
1	COVER	1	PP GF30	■ Grey		0101590	1	0301590	150
2	COVER	2	PP GF30	■ Grey		0101550	1	0301550	200
3	BRACKET	1	PP GF30	■ Grey		0101580	2	0301580	600
4	BRACKET	2	PP GF30	■ Grey		0100699	2	0300699	400



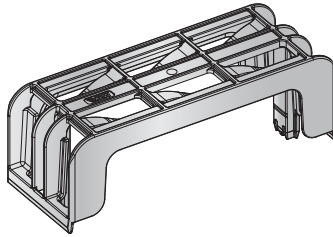
BRACKETS & COVERS



IMG	DESCRIPTION	WAY	MATERIAL	COLOUR		P/N BULK	M.O.Q.
1	BRACKET	1	PP GF30	■ Grey		0301620	250

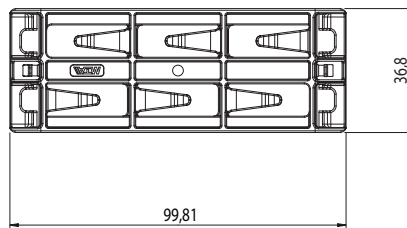
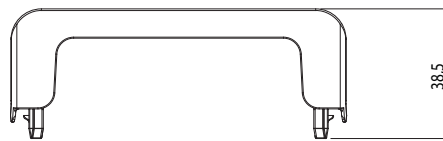


BRACKETS & COVERS

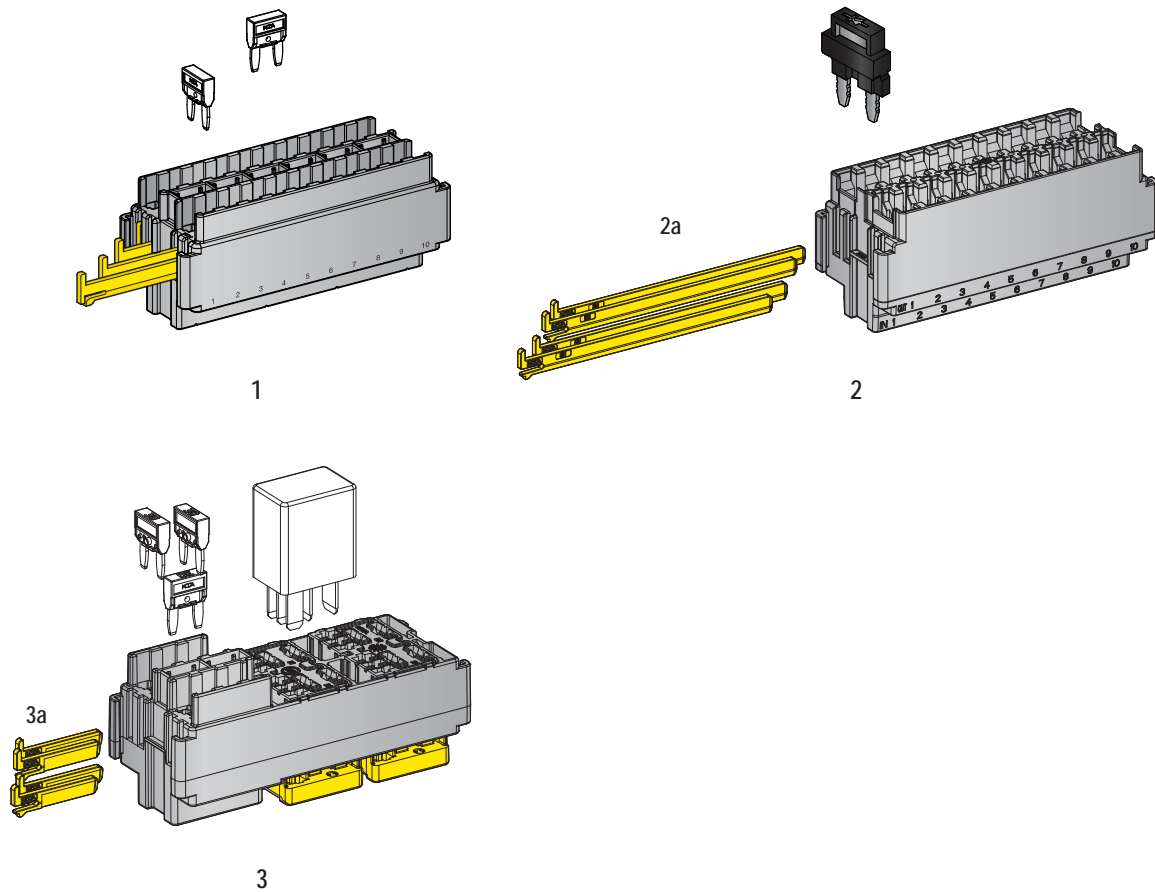


1

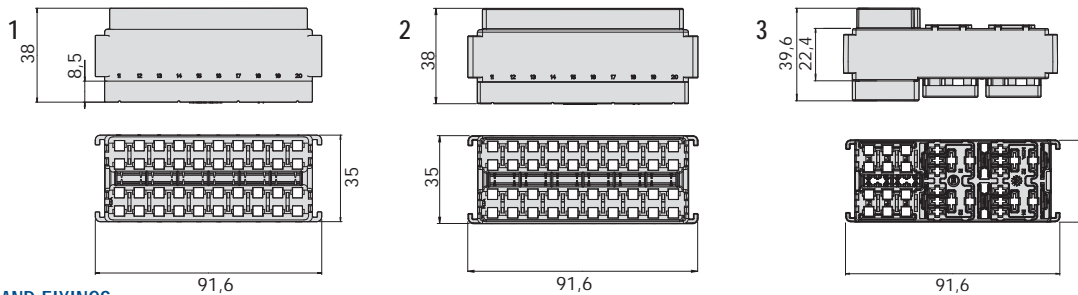
IMG	DESCRIPTION	MATERIAL	COLOUR		P/N BULK	M.O.Q.
1	COVER	PP 66 - GF13	■ Grey		0301630	350



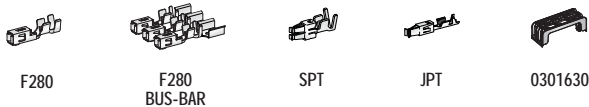
MODULES



IMG	DESCRIPTION	WAY	MATERIAL	COLOUR		P/N BOX	M.O.Q.	P/N BULK	M.O.Q.
1	MINIVAL MODULE	20	PA66 MD25	Grey		0101460	1	0301460	250
2	DIODES/MINIVAL MODULE	20	PA66 MD25	Grey				0301640	230
2a	SECONDARYLOCK		PA66 GF13	Yellow				0300793	7000
3	MINIVAL/MICRORELAY MODULE	6 + 4	PA66 MD25	Grey		0101560	1	0301560	300
3a	SECONDARY LOCK FOR MINIVAL		PA66 GF13	Yellow				0301561	9000

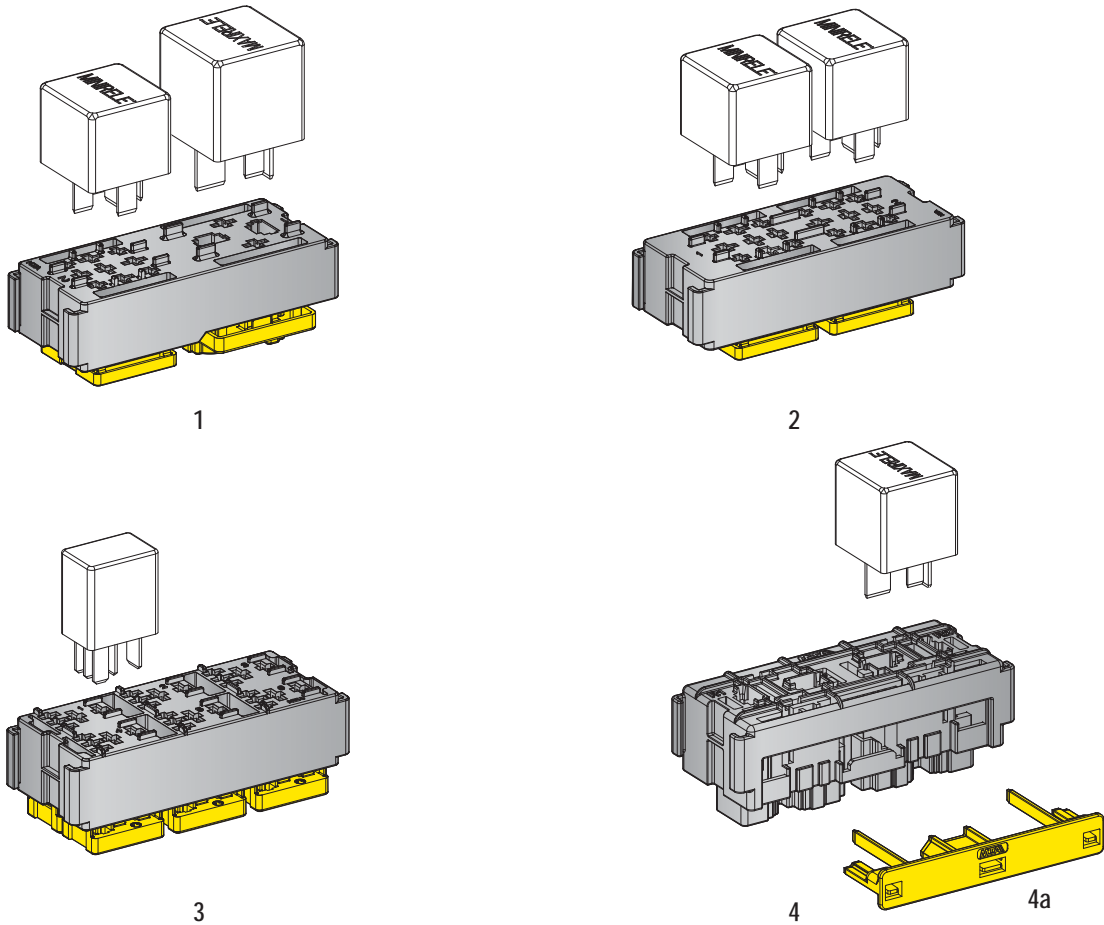


CONNECTIONS AND FIXINGS

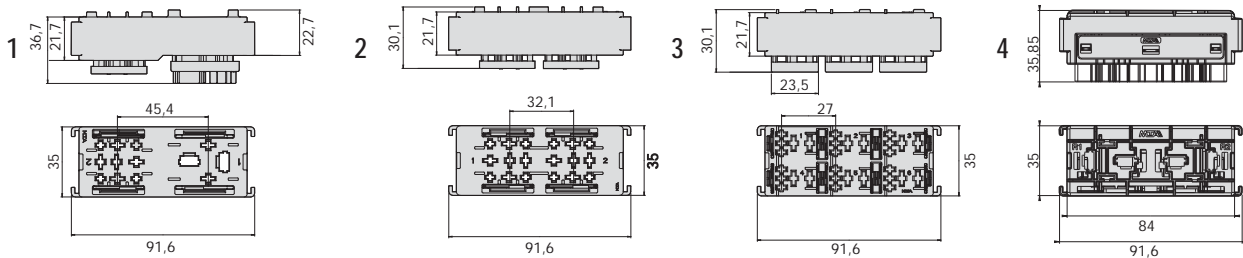


IMG	1+2+3	1+2+3	3	3	1+2+3
-----	-------	-------	---	---	-------

MODULES



IMG	DESCRIPTION	WAY	MATERIAL	COLOUR		P/N BOX	M.O.Q.	P/N BULK	M.O.Q.
1	MINI/MAXIRELAY MODULE	1 + 1	PA66 MD25	Grey		0101490	1	0301490	300
2	MINIRELAY MODULE	2	PA66 MD25	Grey		0101500	1	0301500	300
3	MICRORELAY MODULE	6	PA66 MD25	Grey		0101480	1	0301480	300
4	MAXIRELAY MODULE	2	PA66 MD25	Grey				0301660	250
4a	SECONDARY LOCK		PA66 GF13	Yellow				0301661	TBD

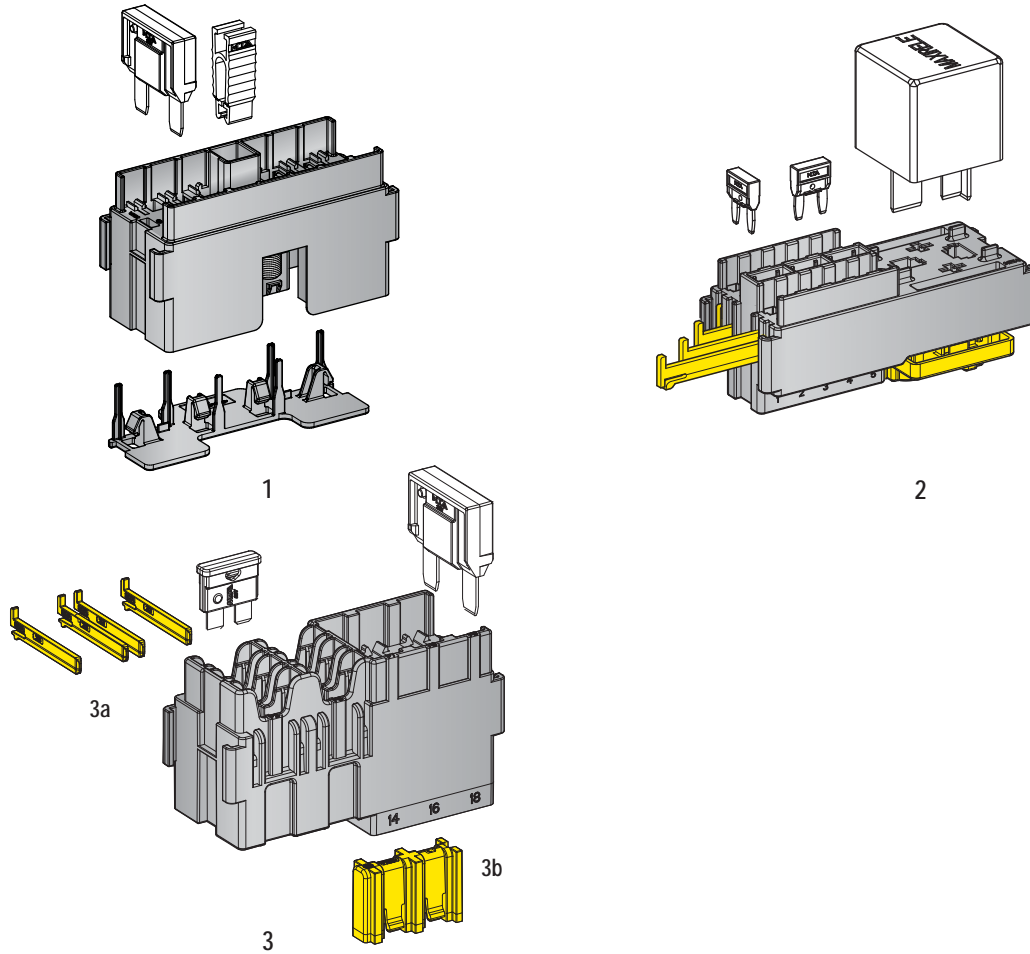


CONNECTIONS AND FIXINGS

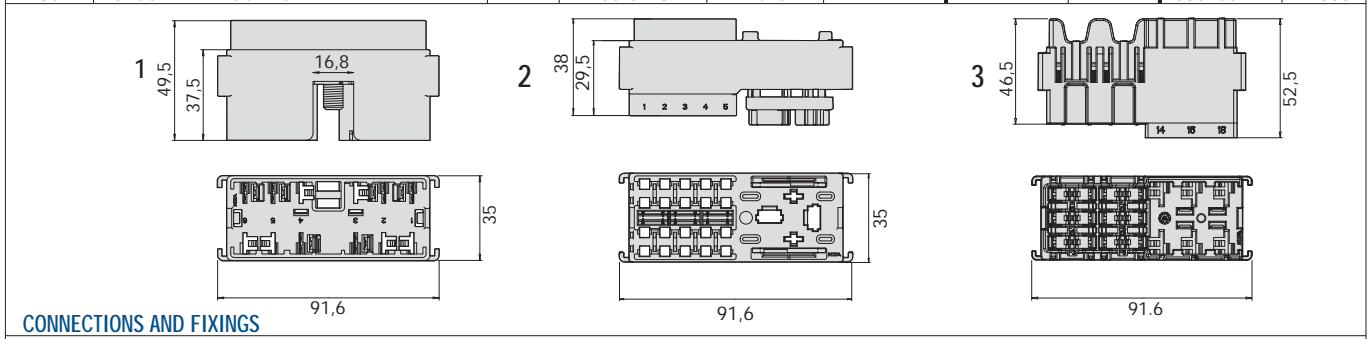


IMG	1+2+3	1+2+3	1+4	4	1+2+3+4

MODULES



IMG	DESCRIPTION	WAY	MATERIAL	COLOUR	P/N BULK	M.O.Q.	P/N BULK	M.O.Q.
1	MAXIVAL MODULE	6	PBT GF20	Grey	0101470	1	0301470	162
2	MINIVAL/MAXIRELAY MODULE	10 + 1	PA66 MD25	Grey	0101510	1	0301510	300
3	MAXIVAL/UNIVAL MODULE	3 + 6	PA66 MD25	Grey			0301600	80
3a	SECONDARY LOCK FOR UNIVAL		PA66 GF13	Yellow			0301601	6000
3b	SECONDARY LOCK FOR MINIVAL		PA66 GF13	Yellow			0301602	2000



CONNECTIONS AND FIXINGS

IMG	1+3	2	2	2	2	3	3	1+2+3