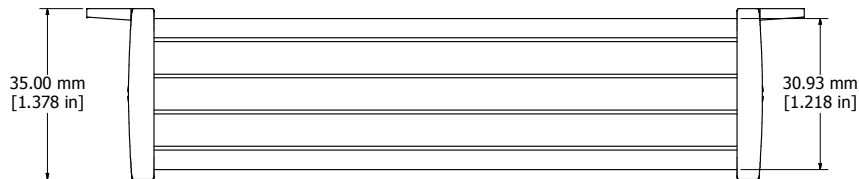
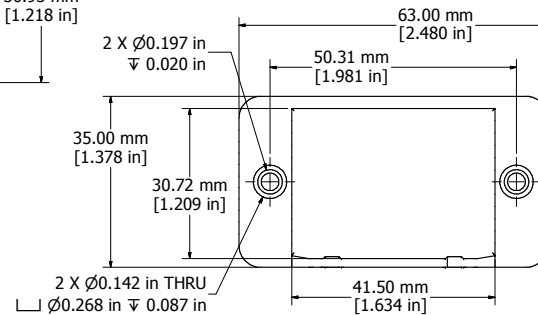
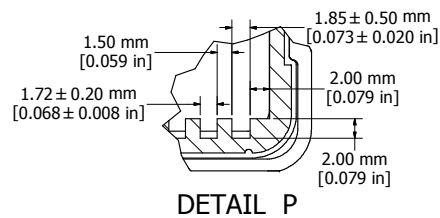
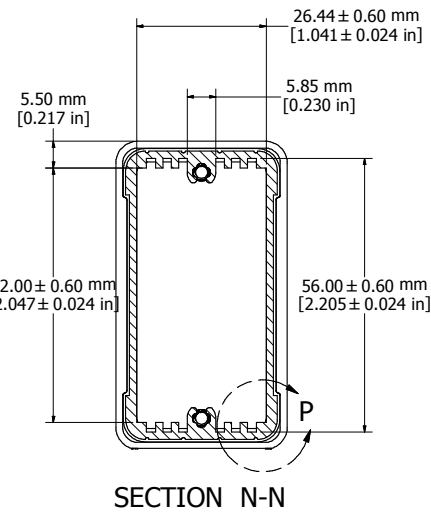


ASSEMBLY - VIEW FROM TOP

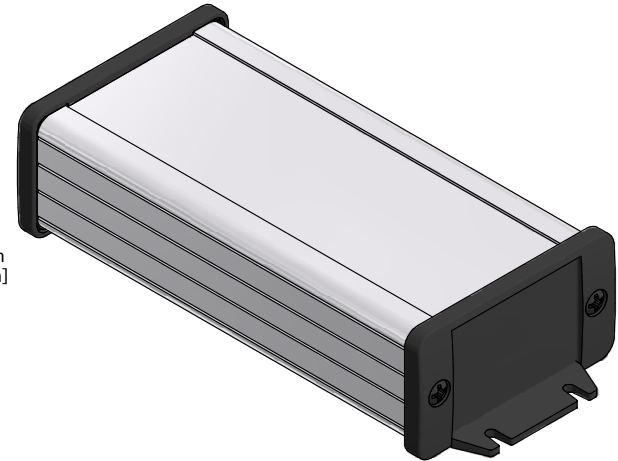


ASSEMBLY - VIEW FROM SIDE

Fits 120mm (4.724") X 55mm (2.165") PCB



END PANEL - VIEW FROM OUTSIDE



PROTECTION TO IP 65

Enclosures can be Factory Modified (Milling, Drilling, Printing etc.)
 Contact Factory mjm@hammondmfg.com for quotes
 Solid models of this enclosure available in STEP or IGES.

NOTE	
Purchased assembly includes box, end panels, stainless steel #6 Taptight screws, self adhesive rubber feet, gaskets and O-Rings.	
Box made from Extruded Aluminum 6063.	
Bezels made from Type 380 Diecast Aluminum with a black powder paint finish.	
WATERPROOF 1457C1202	
PART NUMBERS	
Clear anodized box with black powder painted end panels	1457C1202
Black powder painted box and end panels	1457C1202BK
EMI/RFI SHIELDED (IP 54)	
Clear anodized box with black powder painted end panels	1457C1202E
Black powder painted box and end panels	1457C1202EBK
ACCESSORIES	
See website for accessories.	

