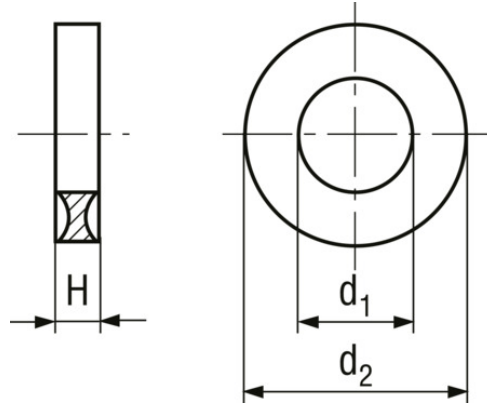


# Dubo®

## BN 1078 - Locking and sealing rings



Manufacturer

**Dubo®**

Product features

- Operating temperature range: -60 °C... +80 °C

Additional information

For screws  $\geq 8.8$ , use toothed lock washer BN 1080

Brand

Dubo®

Material

Polyamide

Material execution

PA 6

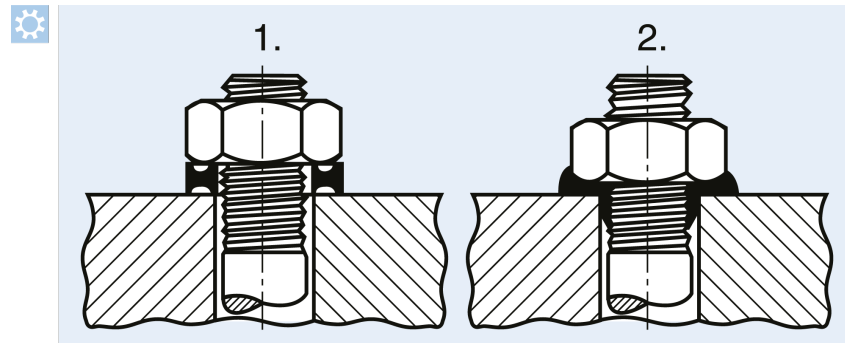
Color

white

Functional principle

1. Before tightening
2. After tightening

Illustration functional principle



Article no.	for thread	Ww	d1	d2	H
1405314	M2	-	2,1	5,3	1,5
1405322	M3	1/8"	3,2	8	2,2
1405330	M3,5	-	3,8	9	2,4
1405349	M4	5/32"	4,15	9,5	2,6

Article no.	for thread	Ww	d1	d2	H
1405357	M5	3/16"	5,15	10,6	3
1405365	M6	1/4"	6,5	12,7	3,5
1405373	M7	-	7,1	14,5	3,8
1405381	M8	5/16"	8,1	16,2	4
1405403	M10	-	10,2	19,6	4,5
1405411	M12	-	12,2	23,6	5
1405438	M14	-	14,2	25,4	5,5
1405446	M16	-	16,2	29,4	6
1405454	M18	-	18,2	35,1	6,5
1405462	M20	-	20,3	35,7	7