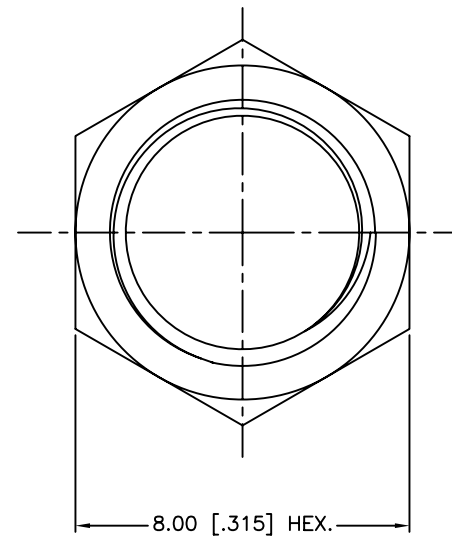
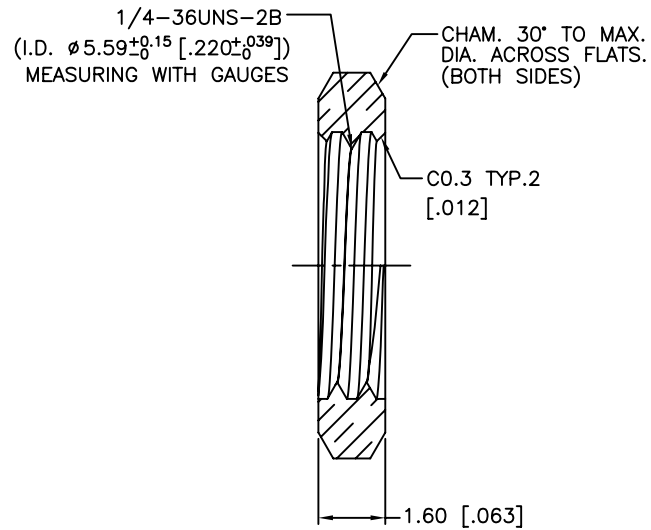
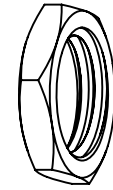


REV.	DATE	ECR NO.	DESCRIPTION
NC	06/05/13	XXXXXX	INITIAL RELEASE



UNLESS OTHERWISE SPECIFIED DIMENSIONS ARE IN MILLIMETERS. DIMENSIONS IN [] ARE IN INCHES AND FOR CUSTOMER REFERENCE ONLY.
UNLESS OTHERWISE SPECIFIED
TOLERANCES FOR MILLIMETERS ARE:
<0.5 ± 0.05 mm
0.5 - 6mm ± 0.10 mm
6 - 30mm ± 0.20 mm
30 - 120mm ± 0.30 mm
ANGLES $\pm 1^\circ$
UNLESS OTHERWISE SPECIFIED
TOLERANCES FOR INCHES ARE:
<.020 ± 0.002 "
.020 - .236 ± 0.004 "
.236 - 1.180 ± 0.007 "
1.180 - 4.724 ± 0.012 "
ANGLES $\pm 1^\circ$

APPROVALS		DATE
DRAWN	M.ZHANG	06/05/13
CHECKED		
ISSUED		
SHEET	1 OF 1	
CAD FILE	C:/CONNEX/132-NUT SMA GLD.DWG	

Amphenol Connex

PART DESCRIPTION			
HEX NUT FOR SMA			
PART NO. 132-NUT SMA GLD			
DWG. NO.	132-NUT SMA GLD.DWG	REV.	NC
SIZE	A	SCALE	NA

1	DESCRIPTION	MATERIAL	FINISH	QTY
	HEX NUT	BRASS	GOLD	1

DO NOT SCALE DRAWING