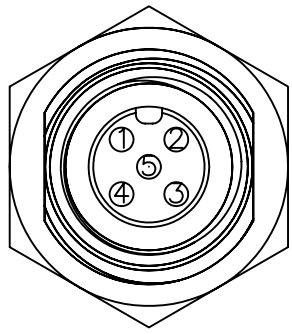
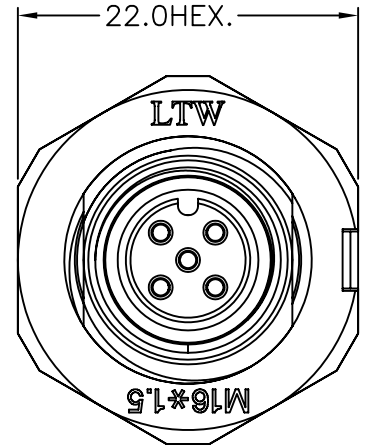
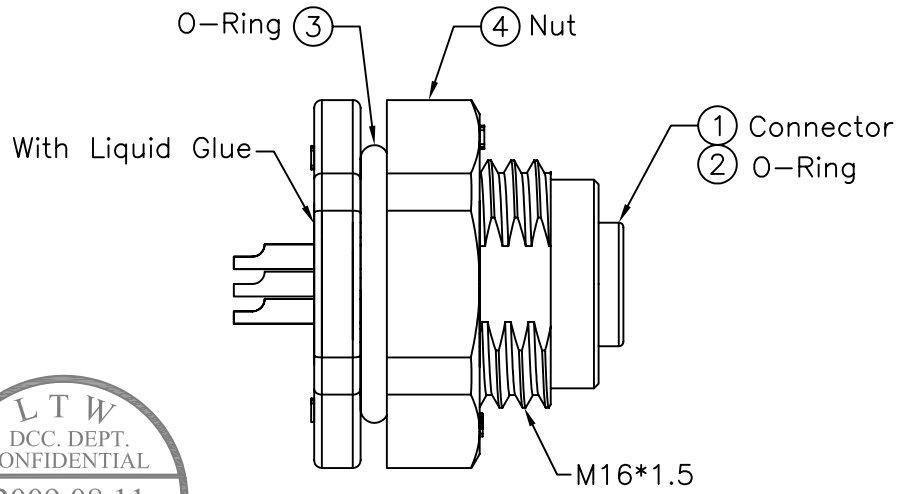
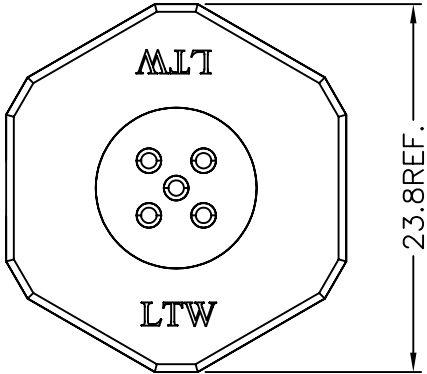
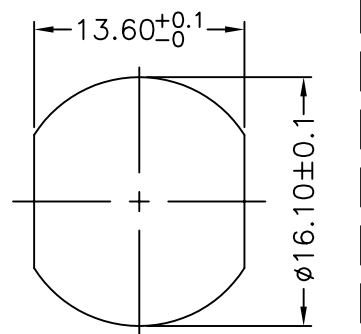


5	6	7	8
REV.	ECN NO.	DATE	SIGN
			DESCRIPTION

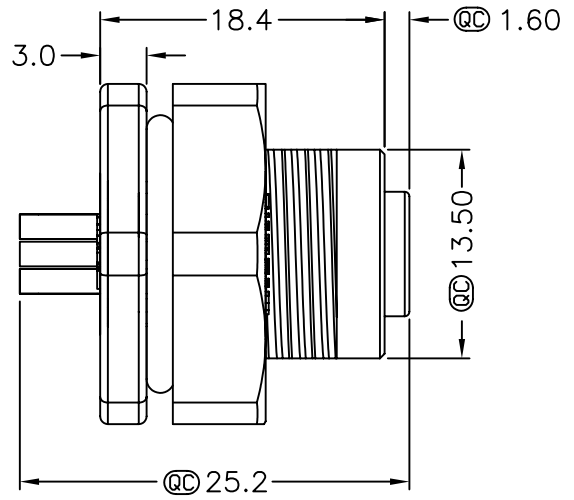
THIS DOCUMENT IS SUBJECT TO CHANGE WITHOUT NOTICE. IT IS CONFIDENTIAL AND A PROPERTY OF LTW. DISCLOSURE TO THIRD PARTY HAS TO BE AUTHORIZED BY LTW.



Pin Assignment  
Front View



Recommended Panel Cut-Out



Note:

- \* @C Important Dimension To Check.
- \* Waterproof Rate: IP68
- \* Connector: Nylon+GF, 94V-0, Black
- \* Female Pin: Copper Alloy, Gold Plated
- \* Shield: Nylon+GF, 94V-0, Black
- \* Nut: Nylon+GF, 94V-0, Black
- \* O-Ring (Inner): Silicone, Gray, 94V-0
- \* O-Ring (Outer): Silicone, Gray, 94V-0
- \* For Panel Thickness Max 4.0mm

UNIT:mm		TITLE		 亮泰企業股份有限公司	ITEM NO	DRAWN BY	DATE
		Sensor, M12, Panel 5Pin FConn FPin, Plastic			LTW12P-05PFFS-SF8001	Jerry	2009/08/10
TOLERANCE		SCALE	SHEET		DWG NO	CHECKED BY	DATE
.X ±0.25		Free	1 OF 1		LTW12P-05PFFS-SF8001	Jerry Yan	2009/08/10
.XX ±0.1		REV.	SIZE		CUSTOMER	APPROVED BY	DATE
.XXX ±0.05		A	A4	@C :Inspection Item		Victor	2009/08/10
ANGLES ±1°							