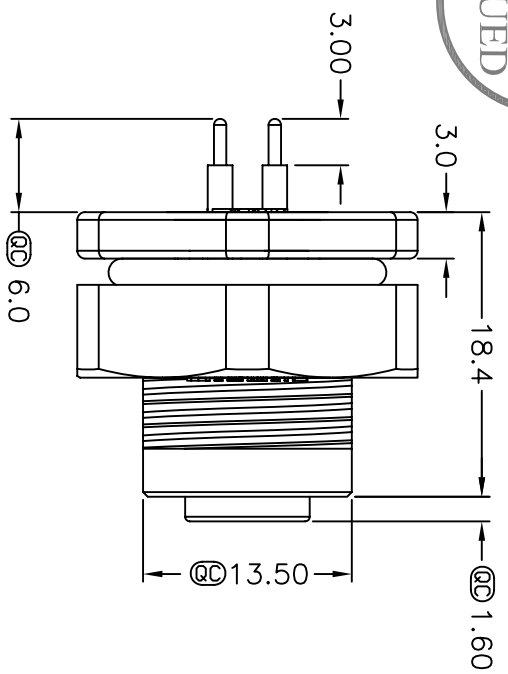
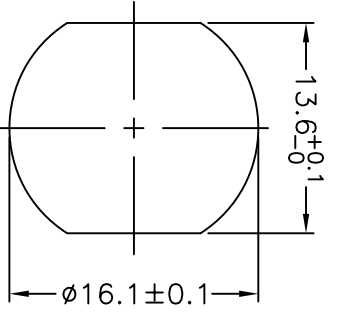
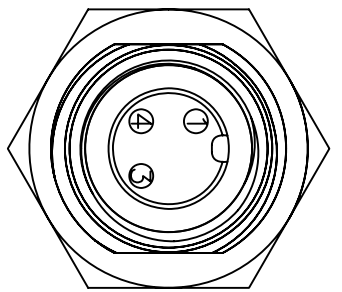
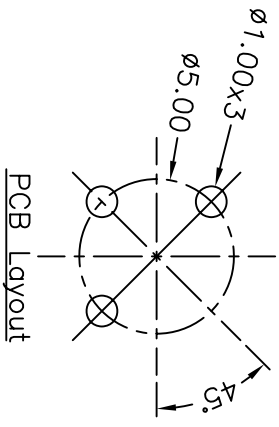
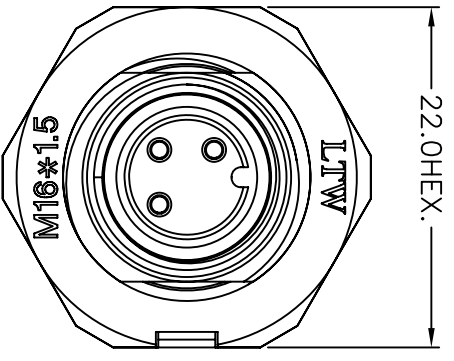
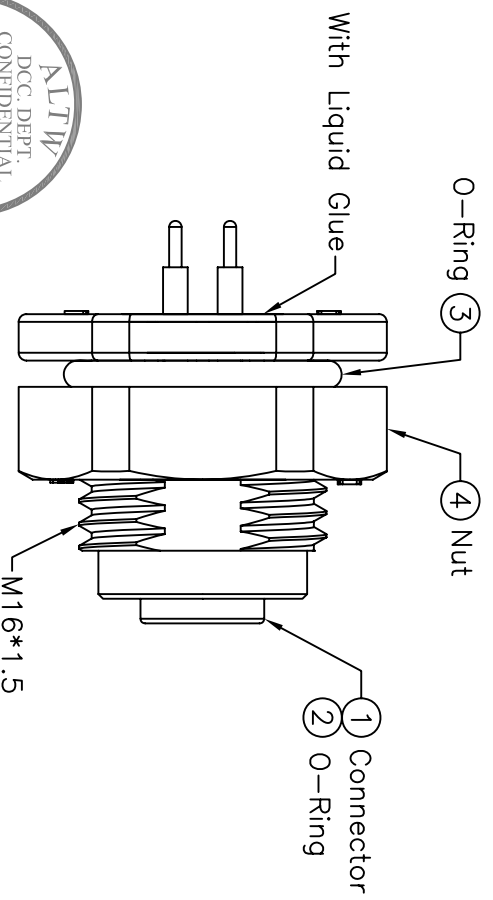
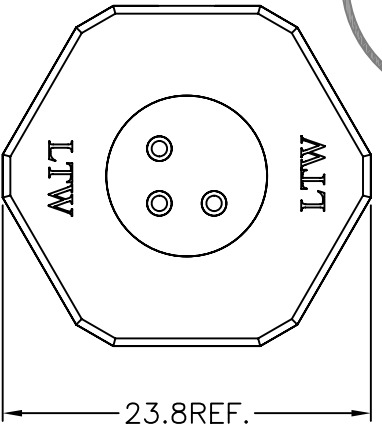
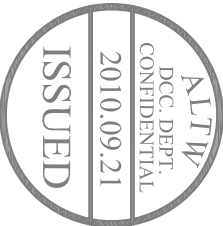
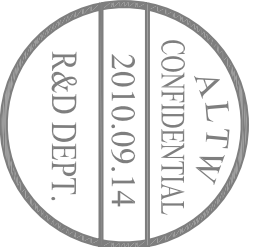


REV. A	ECN NO. Initial Release	DATE 2010/09/14	SIGN Rex	DESCRIPTION Change Rev.01 To Rev.A
--------	-------------------------	-----------------	----------	------------------------------------



Pin Assignment  
Front View

Recommended Panel Cut-Out

- Note:
- \* @Dimension Dimension To Check.
  - \* Waterproof Rate: IP68 (水深1米, 24hrs)
  - \* Connector: Nylon+GF, 94V-0, Black
  - \* Female Pin: Copper Alloy, Gold Plated
  - \* Shield: Nylon+GF, 94V-0, Black
  - \* Nut: Nylon+GF, 94V-0, Black
  - \* O-Ring(Inner): Silicone, Gray, 94V-0
  - \* O-Ring(Outer): Silicone, Gray, 94V-0
  - \* For Panel Thickness Max 4.0mm

UNIT:mm	
TOLERANCE	
.X	±0.25
.XX	±0.1
.XXX	±0.05
ANGLES	±1°

TITLE	M12 CONN,PCB			
	PANEL SCREW 3PIN F CONN F PIN			
SCALE	Free	SHEET	1 OF 1	
REV.	A	SIZE	A4	@ : Inspection Item

**Amphenol LTW**  
安費諾亮泰企業股份有限公司

ITEM NO	LTW12P-03PFFFP-SF8001
DWG NO	LTW12P-03PFFFP-SF8001
CUSTOMER	

DRAWN BY	Rex	DATE	2010/09/17
CHECKED BY	Winnie	DATE	2010/09/17
APPROVED BY	Kevin	DATE	2010/09/17