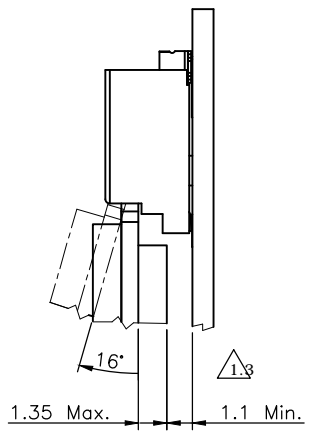


Recommended Layout (Top View)  
General Tolerance: ±0.05mm



Date code: YWWD  
Y=Year, 0~9  
WW=Week, 1~52  
D=Day, 1~7

REV.	DESCRIPTION	DRAWN	DATE
1.1	Add flatness tolerance	FROS	2019/08/07
1.2	Corrected temperature to 85°C	FROS	2019/08/15
1.3	Added M.2 module thickness & related space height	FROS	2019/08/29

**SPECIFICATION:**

- ELECTRICAL**
  - Current Rating: 0.5A per pin
  - Voltage Rating: 50VAC
  - Contact Resistance: 50mΩ
  - Insulation Resistance: 500MΩ
  - Dielectric Withstanding Voltage: 300VAC

- MECHANICAL**
  - Durability: 60 Cycle
  - Mating Force: 20N max.
  - Un-mating Force: 25N max.

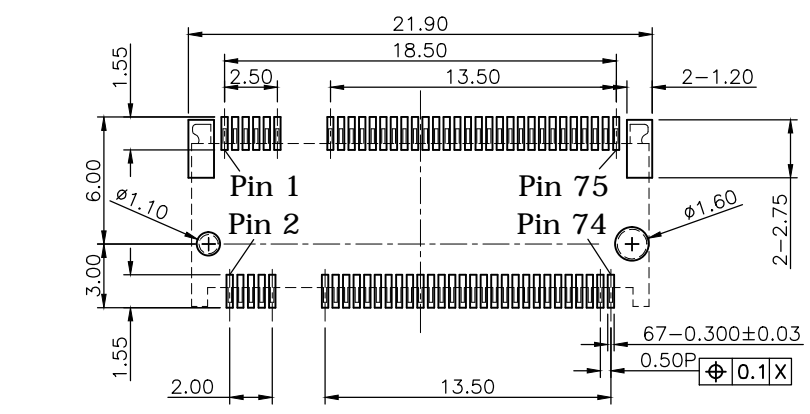
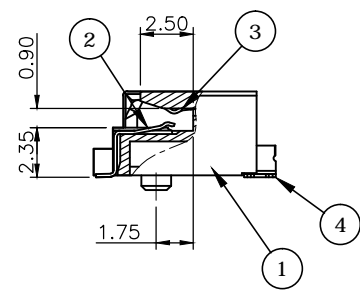
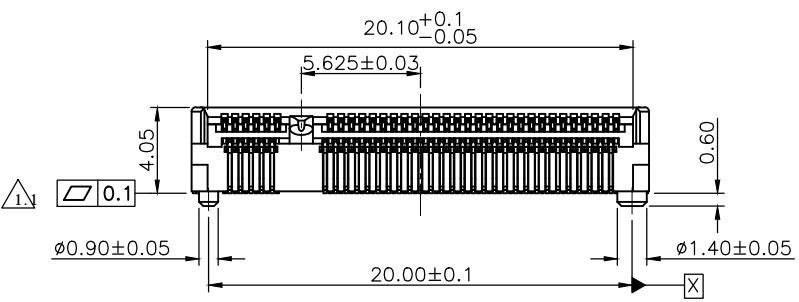
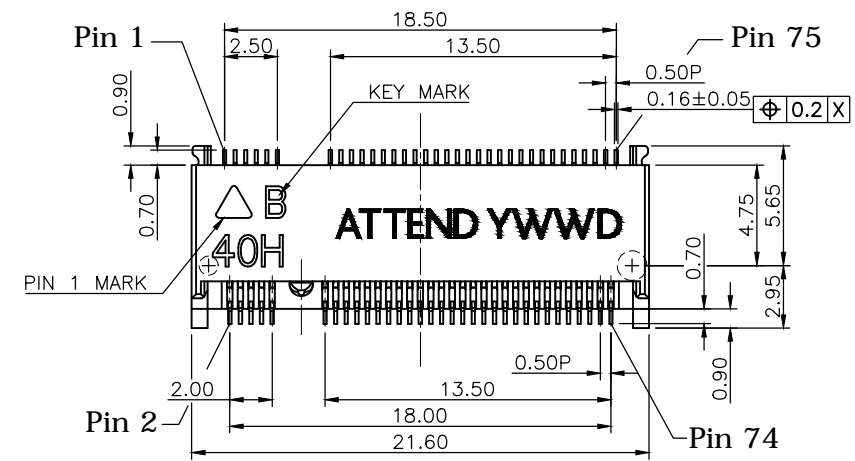
- ENVIRONMENTAL**
  - Operating temperature range: -40°C~+85°C
  - Storage temperature range: -40°C~+85°C

- SOLDER ABILITY**
  - Recommended IR Reflow (Wave Soldering) Temperature: 260°C

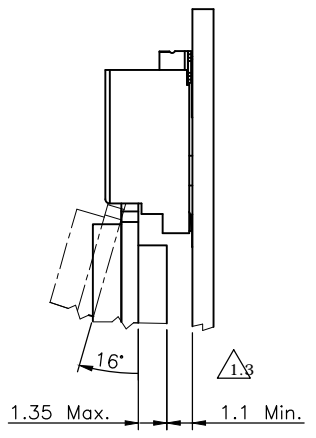
4	HOLD DOWN	BRASS, C2680R-H, 100u" Matte Tin plated, under-plated Nickel 50u"	
3	LOWER CONTACT	PHOSPHOR BRONZE, C5210R-EH	
2	UPPER CONTACT	Contact area: Gold flash, Solder area: Gold flash, all under-plated Nickel 50u"	
1	INSULATOR	LCP, UL94V-0, BLACK	
NO.	PART NAME	DESCRIPTION	
UNLESS OTHERWISE SPECIFIED TOLERANCE			
UNIT:	DECIMAL	LINEAR	ANGLES
mm	X.	±0.50	±5°
	X.X	±0.25	±3°
	X.XX	±0.12	±1°
DRAWN		Fros	2018/12/06
CHECKED		Tim	2018/12/06
APPROVED		Ken	2018/12/06
SCALE		2.8	1/1
SHEET		1/1	
SIZE		A4	
DRAWN NAME:		M.2 Socket, H4.0 A Key	
PRODUCT NO.		123A-40A00	
FILE NAME		123A-40A00_B_1.3	



WWW.ATTEND.COM.TW



Recommended Layout (Top View)  
General Tolerance: ±0.05mm



Date code: YWWD  
Y=Year, 0~9  
WW=Week, 1~52  
D=Day, 1~7

REV.	DESCRIPTION	DRAWN	DATE
1.1	Add flatness tolerance	FROS	2019/08/07
1.2	Corrected temperature to 85°C	FROS	2019/08/15
1.3	Added M.2 module thickness & related space height	FROS	2019/08/29

**SPECIFICATION:**

- ELECTRICAL**
  - Current Rating: 0.5A per pin
  - Voltage Rating: 50VAC
  - Contact Resistance: 50mΩ
  - Insulation Resistance: 500MΩ
  - Dielectric Withstanding Voltage: 300VAC

- MECHANICAL**
  - Durability: 60 Cycle
  - Mating Force: 20N max.
  - Un-mating Force: 25N max.

- ENVIRONMENTAL**
  - Operating temperature range: -40°C~+85°C
  - Storage temperature range: -40°C~+85°C

- SOLDER ABILITY**
  - Recommended IR Reflow (Wave Soldering) Temperature: 260°C

4	HOLD DOWN	BRASS, C2680R-H, 100u" Matte Tin plated, under-plated Nickel 50u"
3	LOWER CONTACT	PHOSPHOR BRONZE, C5210R-EH
2	UPPER CONTACT	Contact area: Gold flash, Solder area: Gold flash, all under-plated Nickel 50u"
1	INSULATOR	LCP, UL94V-0, BLACK
NO.	PART NAME	DESCRIPTION

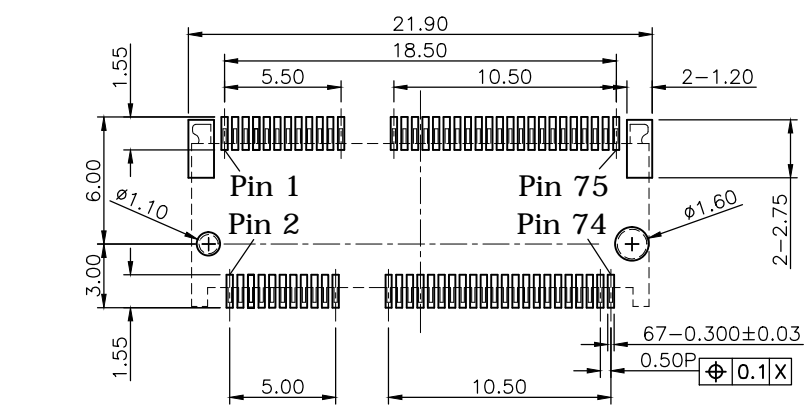
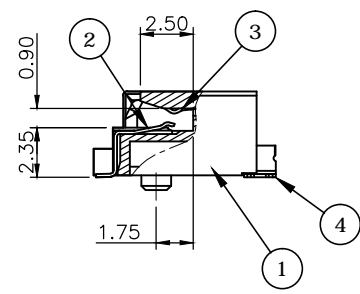
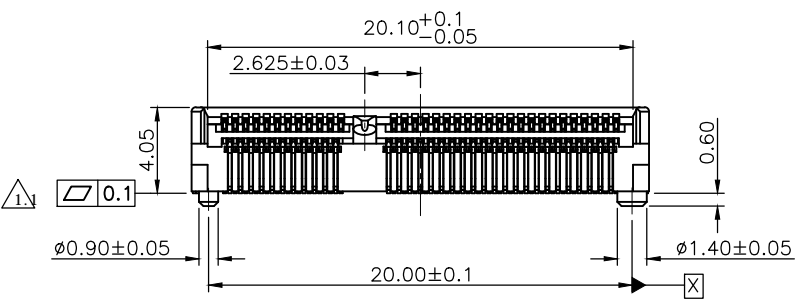
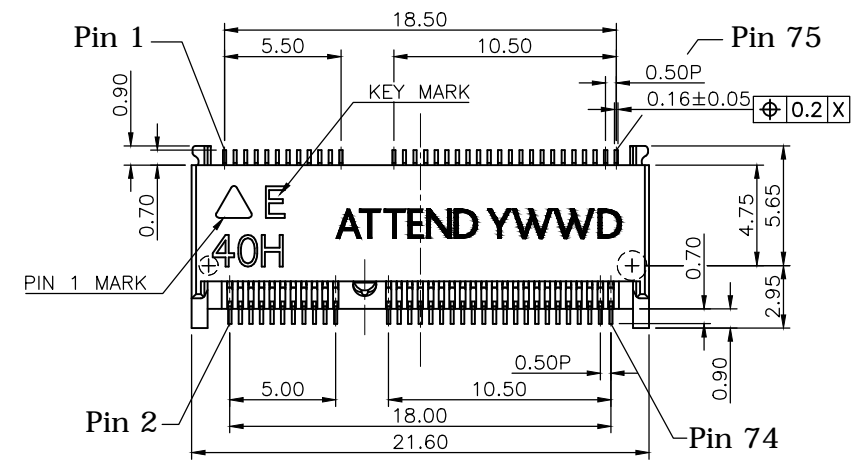
UNLESS OTHERWISE SPECIFIED TOLERANCE

UNIT:	DECIMAL	LINEAR	ANGLES
mm	X.	±0.50	±5°
	X.X	±0.25	±3°
	X.XX	±0.12	±1°

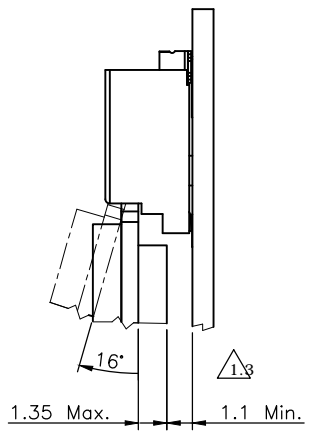


WWW.ATTEND.COM.TW

DRAWN	Fros	2018/12/06	DRAWN NAME:	M.2 Socket, H4.0 B Key			
CHECKED	Tim	2018/12/06		0.5 Pitch G/F, Black, Reel			
APPROVED	Ken	2018/12/06	PRODUCT NO.	123A-40B00			
SCALE	2.8	SHEET	1/1	SIZE	A4	FILE NAME	123A-40B00_B_1.3



Recommended Layout (Top View)  
General Tolerance: ±0.05mm



Date code: YWWD  
Y=Year, 0~9  
WW=Week, 1~52  
D=Day, 1~7

REV.	DESCRIPTION	DRAWN	DATE
1.1	Add flatness tolerance	FROS	2019/08/07
1.2	Corrected temperature to 85°C	FROS	2019/08/15
1.3	Added M.2 module thickness & related space height	FROS	2019/08/29

**SPECIFICATION:**

- ELECTRICAL**
  - Current Rating: 0.5A per pin
  - Voltage Rating: 50VAC
  - Contact Resistance: 50mΩ
  - Insulation Resistance: 500MΩ
  - Dielectric Withstanding Voltage: 300VAC

- MECHANICAL**
  - Durability: 60 Cycle
  - Mating Force: 20N max.
  - Un-mating Force: 25N max.

- ENVIRONMENTAL**
  - Operating temperature range: -40°C~+85°C
  - Storage temperature range: -40°C~+85°C

- SOLDER ABILITY**
  - Recommended IR Reflow (Wave Soldering) Temperature: 260°C

4	HOLD DOWN	BRASS, C2680R-H, 100u" Matte Tin plated, under-plated Nickel 50u"
3	LOWER CONTACT	PHOSPHOR BRONZE, C5210R-EH
2	UPPER CONTACT	Contact area: Gold flash, Solder area: Gold flash, all under-plated Nickel 50u"
1	INSULATOR	LCP, UL94V-0, BLACK
NO.	PART NAME	DESCRIPTION

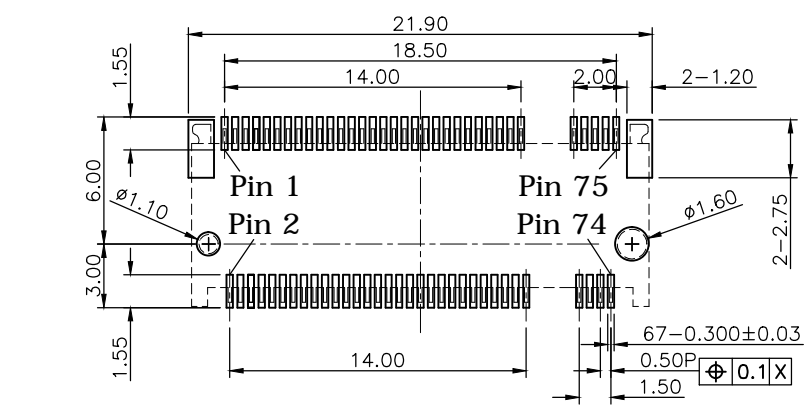
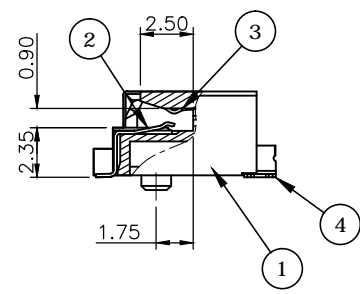
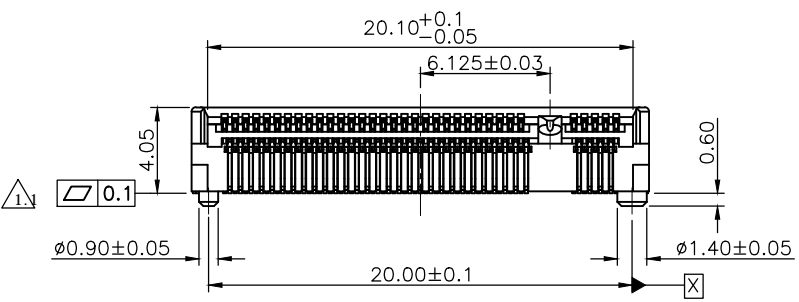
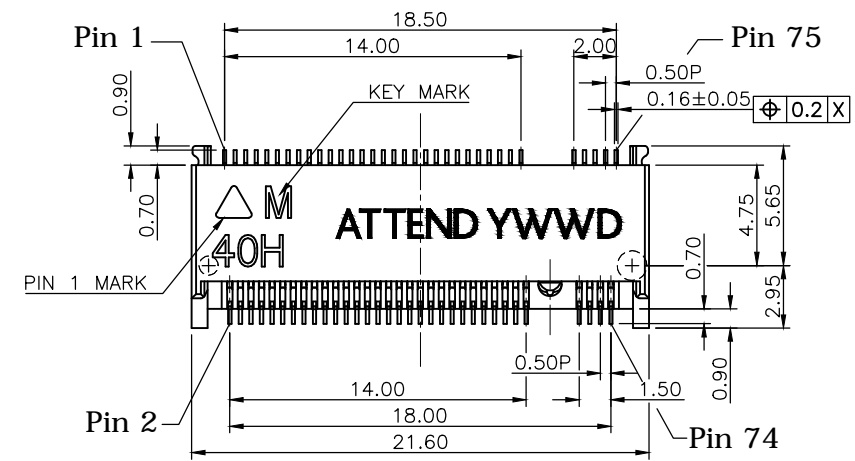
UNLESS OTHERWISE SPECIFIED TOLERANCE

UNIT:	DECIMAL	LINEAR	ANGLES
mm	X.	±0.50	±5°
	X.X	±0.25	±3°
	X.XX	±0.12	±1°

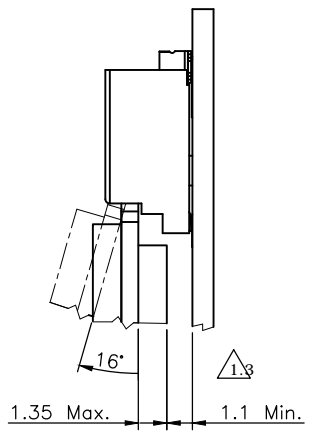


WWW.ATTEND.COM.TW

DRAWN	Fros	2018/12/06	DRAWN NAME:	M.2 Socket, H4.0 E Key	
CHECKED	Tim	2018/12/06		0.5 Pitch G/F, Black, Reel	
APPROVED	Ken	2018/12/06	PRODUCT NO.	123A-40E00	
SCALE	2.8	SHEET	1/1	SIZE	A4
FILE NAME	123A-40E00_B_1.3				



Recommended Layout (Top View)  
General Tolerance: ±0.05mm



Date code: YWWD  
Y=Year, 0~9  
WW=Week, 1~52  
D=Day, 1~7

REV.	DESCRIPTION	DRAWN	DATE
1.1	Add flatness tolerance	FROS	2019/08/07
1.2	Corrected temperature to 85°C	FROS	2019/08/15
1.3	Added M.2 module thickness & related space height	FROS	2019/08/29

**SPECIFICATION:**

- ELECTRICAL**
  - Current Rating: 0.5A per pin
  - Voltage Rating: 50VAC
  - Contact Resistance: 50mΩ
  - Insulation Resistance: 500MΩ
  - Dielectric Withstanding Voltage: 300VAC

- MECHANICAL**
  - Durability: 60 Cycle
  - Mating Force: 20N max.
  - Un-mating Force: 25N max.

- ENVIRONMENTAL**
  - Operating temperature range: -40°C~+85°C
  - Storage temperature range: -40°C~+85°C

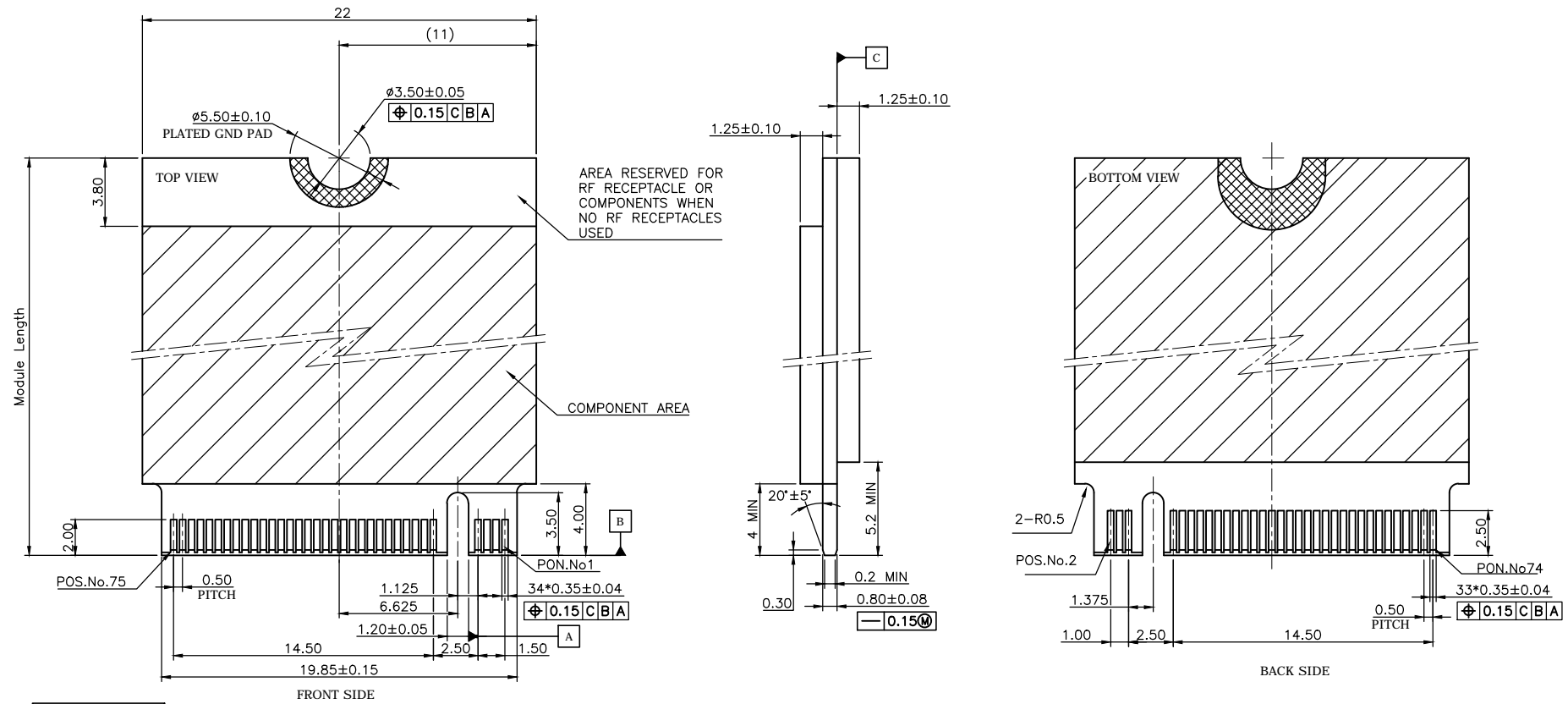
- SOLDER ABILITY**
  - Recommended IR Reflow (Wave Soldering) Temperature: 260°C

4	HOLD DOWN	BRASS, C2680R-H, 100u" Matte Tin plated, under-plated Nickel 50u"	
3	LOWER CONTACT	PHOSPHOR BRONZE, C5210R-EH	
2	UPPER CONTACT	Contact area: Gold flash, Solder area: Gold flash, all under-plated Nickel 50u"	
1	INSULATOR	LCP, UL94V-0, BLACK	
NO.	PART NAME	DESCRIPTION	
UNLESS OTHERWISE SPECIFIED TOLERANCE			
UNIT:	DECIMAL	LINEAR	ANGLES
mm	X.	±0.50	±5°
	X.X	±0.25	±3°
	X.XX	±0.12	±1°
DRAWN		Fros	2018/12/06
CHECKED		Tim	2018/12/06
APPROVED		Ken	2018/12/06
SCALE		2.8	
SHEET		1/1	
SIZE		A4	
DRAWN NAME:		M.2 Socket, H4.0 M Key 0.5 Pitch G/F, Black, Reel	
PRODUCT NO.		123A-40M00	
FILE NAME		123A-40M00_B_1.3	




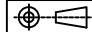
WWW.ATTEND.COM.TW

REV.	DESCRIPTION	DRAWN	DATE
1	INITIAL RELEASE	FROS	2019/01/09
1.1	Corrected	FROS	2019/09/11

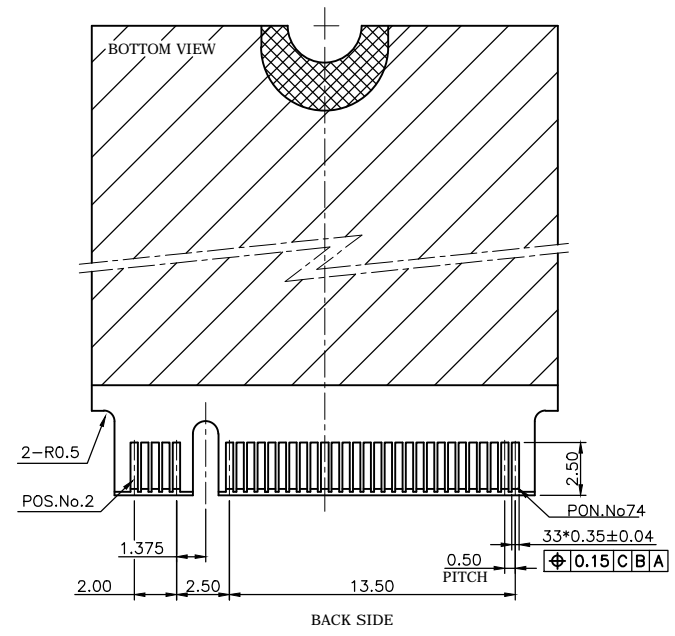
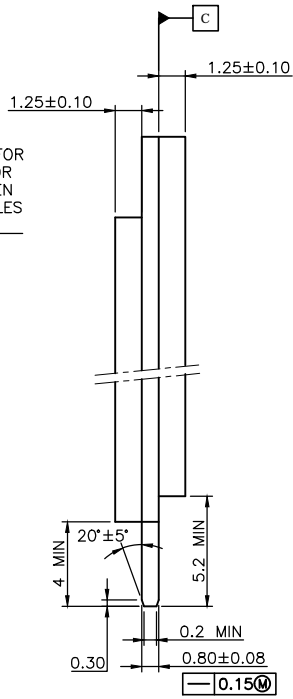
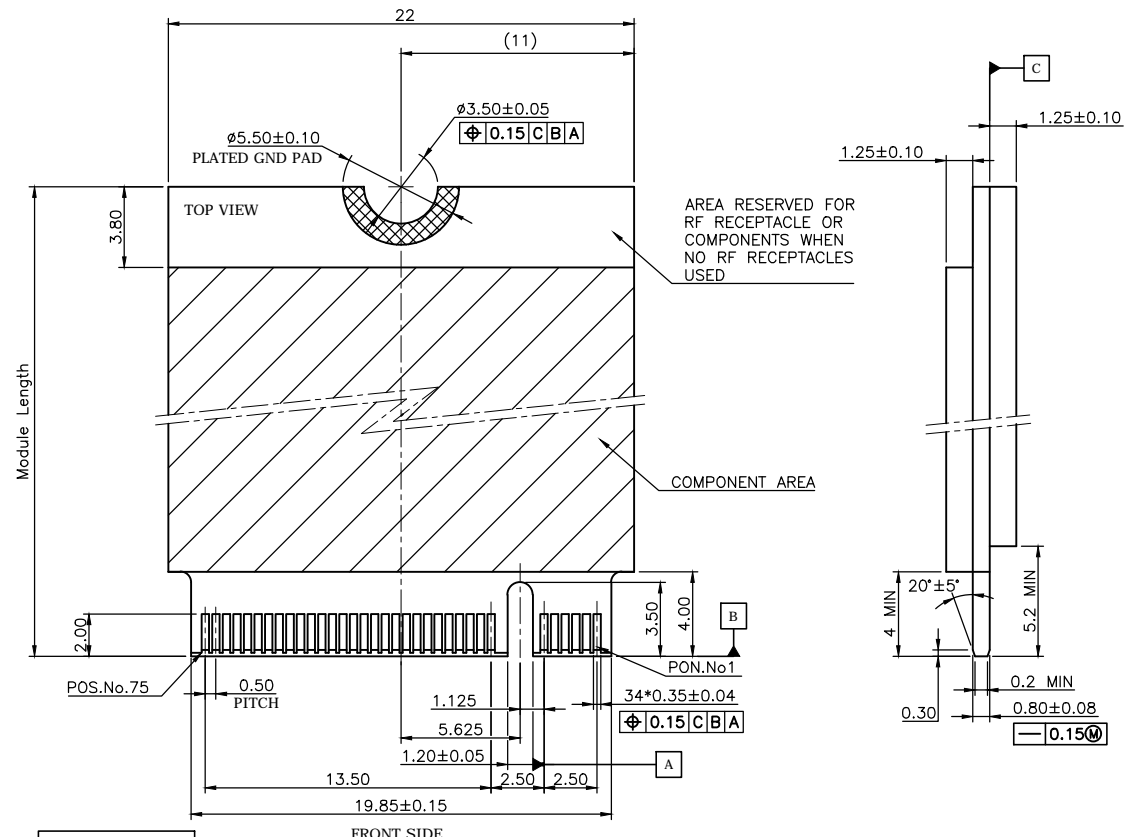


Module Length (mm)
42
60
80
110

KEY ID "A"  
RECOMMENDED MODULE LAYOUT


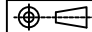
UNLESS OTHERWISE SPECIFIED TOLERANCE				 www.attend.com.tw
UNIT:	DECIMAL	LINEAR	ANGLES	
mm	X.	±0.50	±5°	
	X.X	±0.25	±3°	
	X.XX	±0.12	±1°	
DRAWN	Fros	2019/01/09	DRAWN NAME:	
CHECKED	Tim	2019/01/09	PCI Express M.2 Specification Module Dimensions	
APPROVED	Ken	2019/01/09	PRODUCT NO. N/A	
	SCALE 2.8	SHEET 1/4	SIZE A4	FILE NAME 123A-CARD_B_1.1

REV.	DESCRIPTION	DRAWN	DATE
1	INITIAL RELEASE	FROS	2019/01/09
1.1	Corrected	FROS	2019/09/11

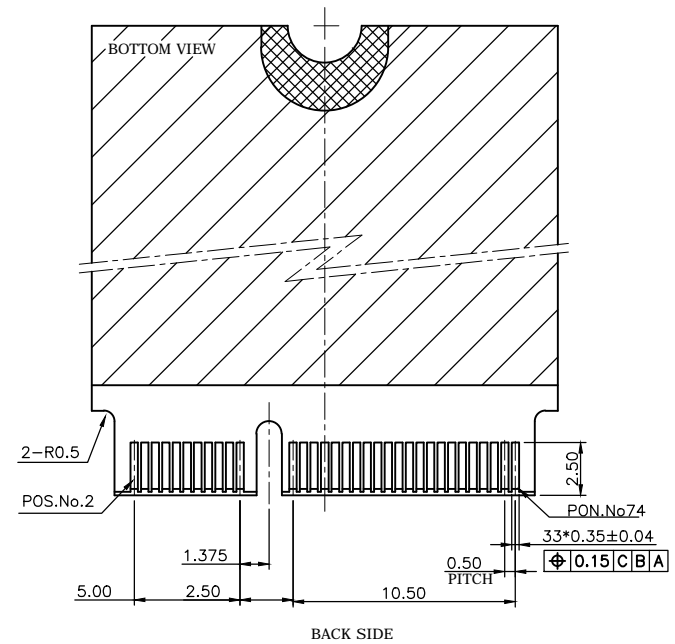
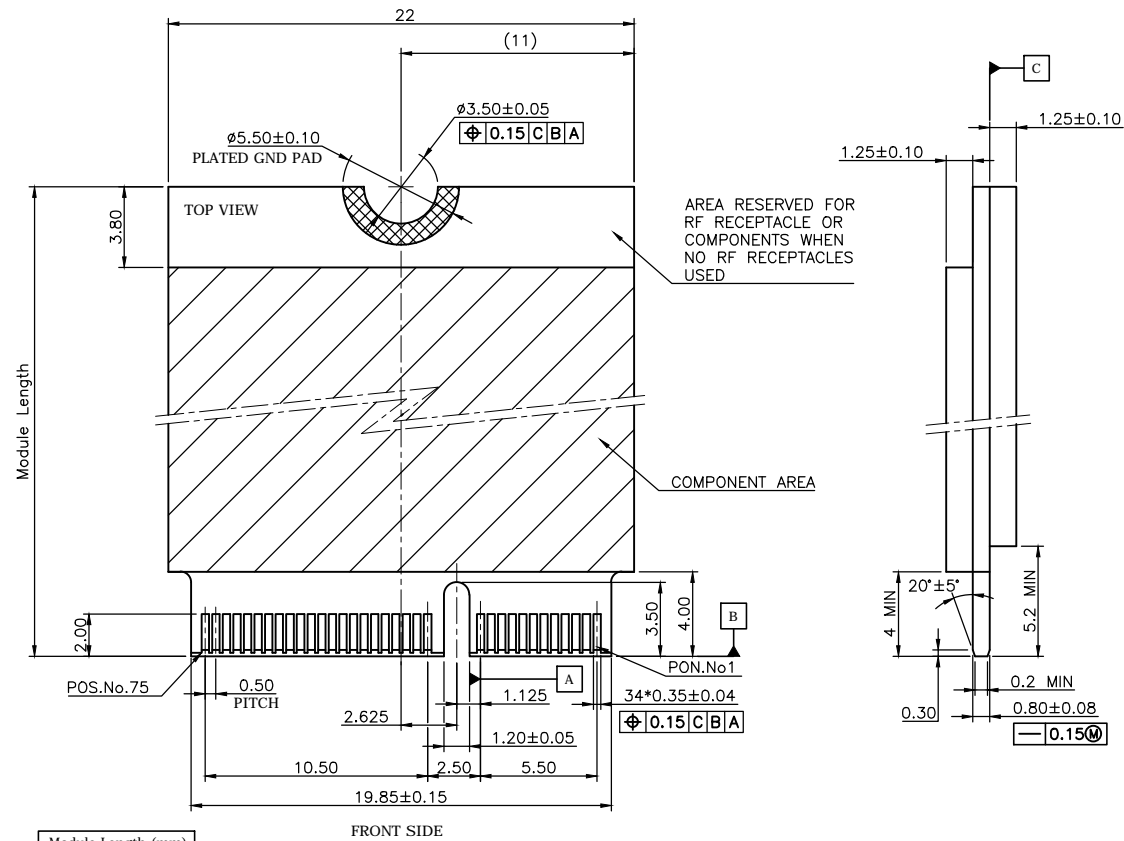


Module Length (mm)
42
60
80
110

KEY ID "B"  
RECOMMENDED MODULE LAYOUT


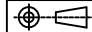
UNLESS OTHERWISE SPECIFIED TOLERANCE					
UNIT:	DECIMAL	LINEAR	ANGLES		
mm	X.	±0.50	±5°	www.attend.com.tw	
	X.X	±0.25	±3°		
	X.XX	±0.12	±1°		
DRAWN	Fros	2019/01/09	DRAWN NAME:		
CHECKED	Tim	2019/01/09	PCI Express M.2 Specification Module Dimensions		
APPROVED	Ken	2019/01/09	PRODUCT NO.	N/A	
	SCALE 2.8	SHEET 2/4	SIZE A4	FILE NAME	123A-CARD_B_1.1

REV.	DESCRIPTION	DRAWN	DATE
1	INITIAL RELEASE	FROS	2019/01/09
1.1	Corrected	FROS	2019/09/11

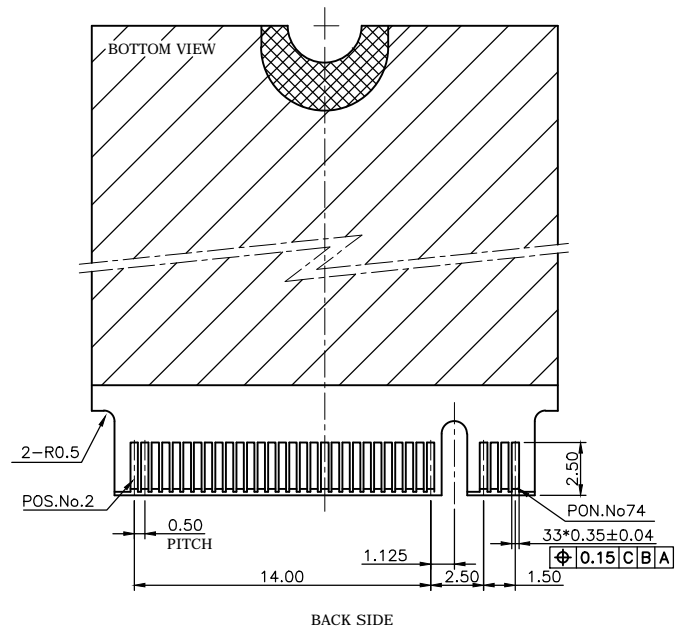
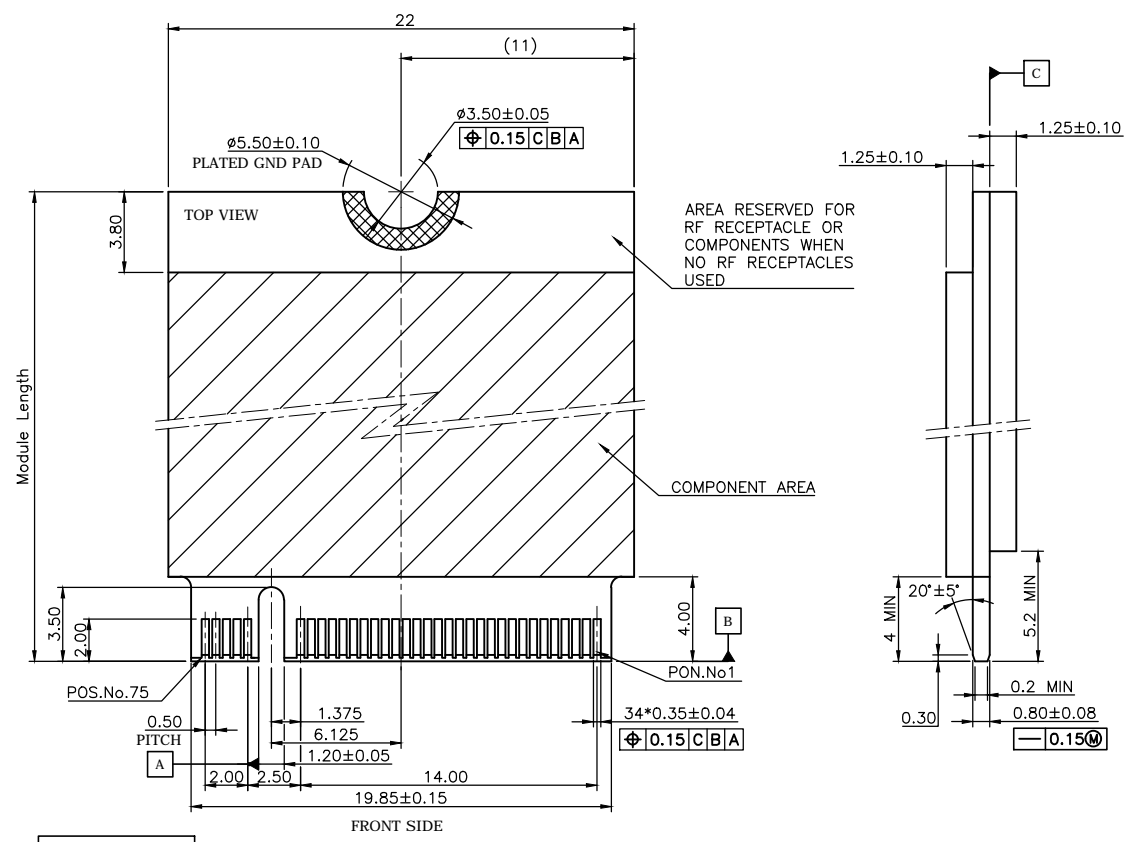


Module Length (mm)
42
60
80
110

KEY ID "E"  
RECOMMENDED MODULE LAYOUT


UNLESS OTHERWISE SPECIFIED TOLERANCE					
UNIT:	DECIMAL	LINEAR	ANGLES		
mm	X.	±0.50	±5°	www.attend.com.tw	
	X.X	±0.25	±3°		
	X.XX	±0.12	±1°		
DRAWN	Fros	2019/01/09	DRAWN NAME:		
CHECKED	Tim	2019/01/09	PCI Express M.2 Specification Module Dimensions		
APPROVED	Ken	2019/01/09	PRODUCT NO.	N/A	
	SCALE 2.8	SHEET 3/4	SIZE A4	FILE NAME	123A-CARD_B_1.1

REV.	DESCRIPTION	DRAWN	DATE
1	INITIAL RELEASE	FROS	2019/01/09
1.1	Corrected	FROS	2019/09/11



Module Length (mm)
42
60
80
110

KEY ID "M"  
RECOMMENDED MODULE LAYOUT

UNLESS OTHERWISE SPECIFIED TOLERANCE					
UNIT:	DECIMAL	LINEAR	ANGLES		
mm	X.	±0.50	±5°	www.attend.com.tw	
	X.X	±0.25	±3°		
	X.XX	±0.12	±1°		
DRAWN	Fros	2019/01/09	DRAWN NAME:		
CHECKED	Tim	2019/01/09	PCI Express M.2 Specification Module Dimensions		
APPROVED	Ken	2019/01/09	PRODUCT NO.	N/A	
SCALE	2.8	SHEET 4/4	SIZE A4	FILE NAME	123A-CARD_B_1.1

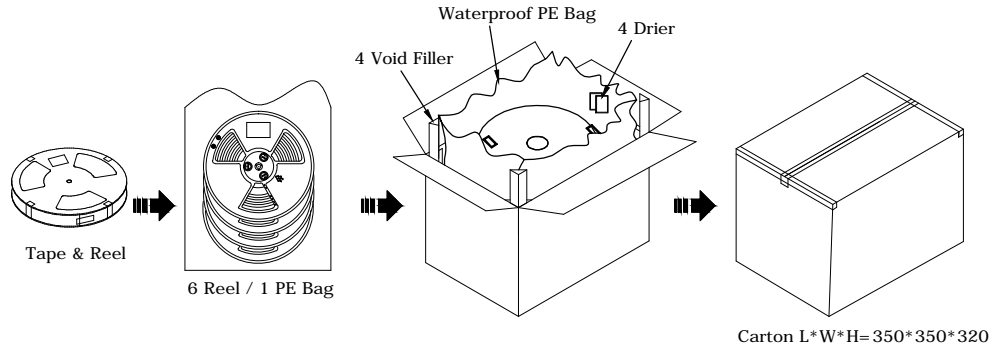
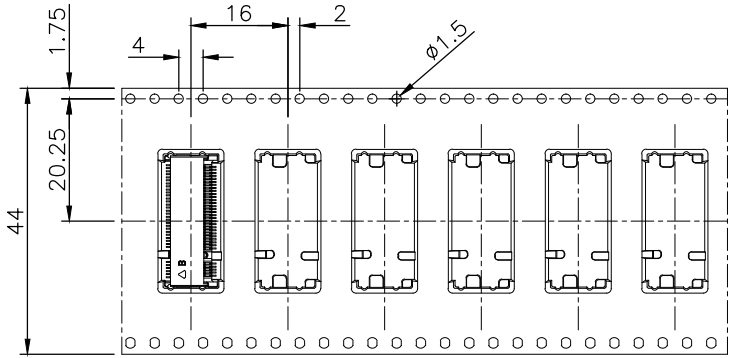
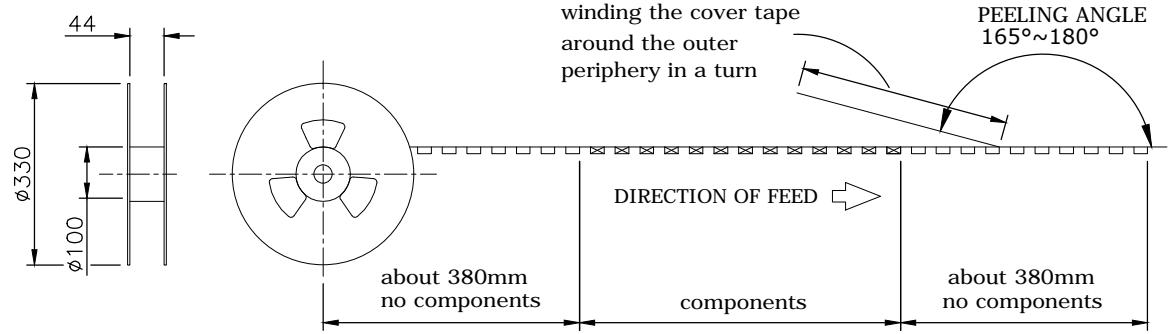



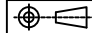
REV.	DESCRIPTION	DRAWN	DATE
1	INITIAL RELEASE	TIM	2018/01/19

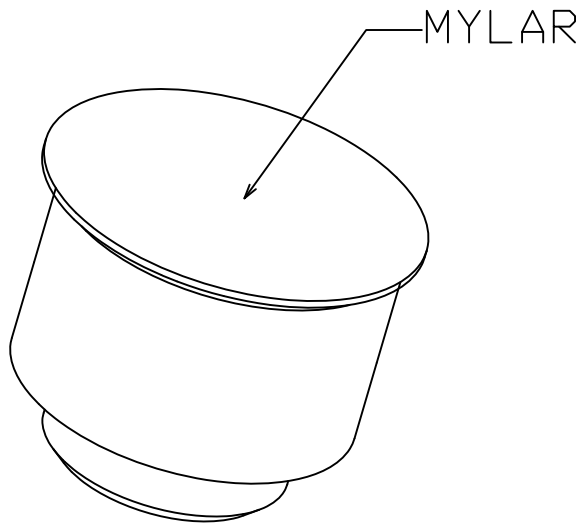
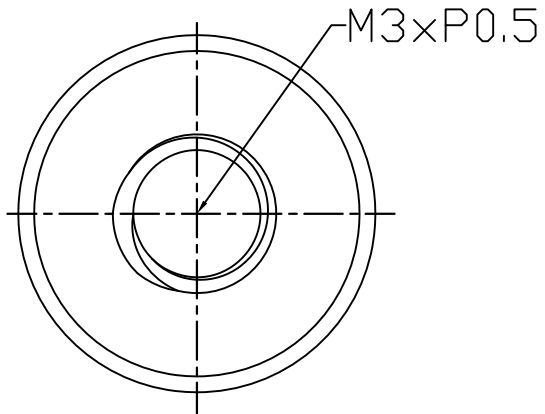
**PACKAGING SPECIFICATION:**

1. MATERIAL
  - 1.1 Embossed Carrier Tape: PS Black
  - 1.2 Top Cover Tape: PET  
20-80g(Peel Speed 300mm/Minute)
  - 1.3 Taping Reel: Plastic
2. Packaging:

P/N	Height	Reel	Carton
123A-21X00	2.15	1200	7200
123A-30X00	3.05	900	5400
123A-40X00	4.05	700	4200
123A-58X00	5.80	600	3600

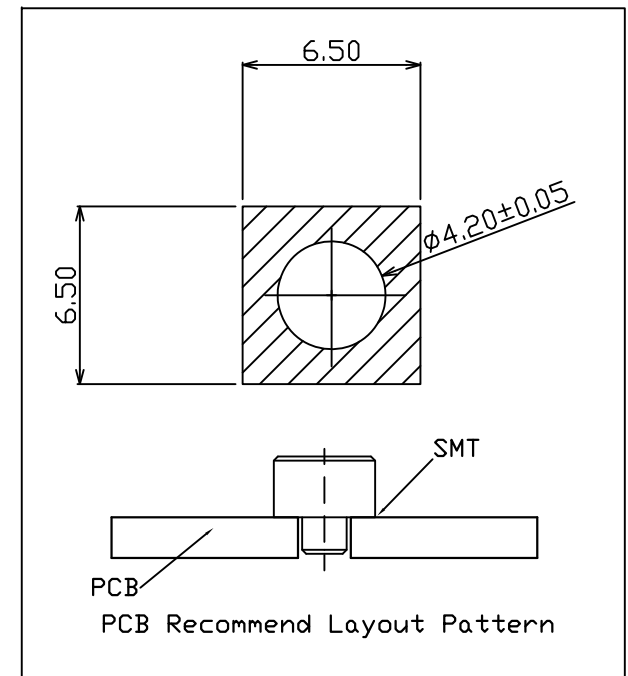
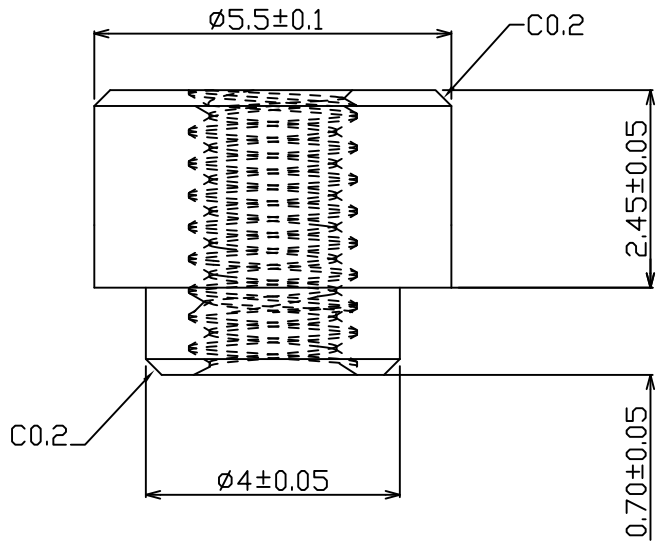


UNLESS OTHERWISE SPECIFIED TOLERANCE				 WWW.ATTEND.COM.TW
UNIT:	DECIMAL	LINEAR	ANGLES	
mm	X.	±0.50	±5°	
	X.X	±0.25	±3°	
	X.XX	±0.12	±1°	
DRAWN	Tim	2018/01/19	DRAWN NAME:	
CHECKED	Fros	2018/01/19	M.2 CONNECTOR PACKAGING	
APPROVED	Ken	2018/01/19	PRODUCT NO.	
	SCALE	SHEET	SIZE	FILE NAME
	0.8	1/1	A4	123A-XXX00_D_1



NOTE:

- 1.MATERIAL: Copper Alloy
- 2.Plating: Sn.



REV.	DESCRIPTION	DATE	REV.	DESCRIPTION	DATE	SIZE	REV.	FILE NAME
1			4			A4	1.0	123A-NUT-42_B_1
2			5					
3			6					
4			7					
5			8					
6			9					
7			10					

UNLESS OTHERWISE SPECIFIED TOLERANCE			www.attend.com.tw					
ANGLES	ANG.	±5°	DRAWN NAME: M.2 Connector Stand Off					
	0.	±0.3						
LINEAR	0.0	±0.25						
	0.00	±0.20	PRODUCT NO. 123A-NUT-42					
SCALE	AS SHOWED	UNIT: mm	DRAWN NAME: M.2 Connector Stand Off					
DRAWN	Willis	2013/11/13	PRODUCT NO. 123A-NUT-42					
CHECKED	Angel	2013/11/13	DRAWN NAME: M.2 Connector Stand Off					
APPROVED	Ken	2013/11/13	PRODUCT NO. 123A-NUT-42					
REV.	DESCRIPTION	DATE	REV.	DESCRIPTION	DATE	SIZE	REV.	FILE NAME
1			4			A4	1.0	123A-NUT-42_B_1



www.attend.com.tw

DRAWN NAME: M.2 Connector Stand Off

PRODUCT NO. 123A-NUT-42

FILE NAME 123A-NUT-42\_B\_1

