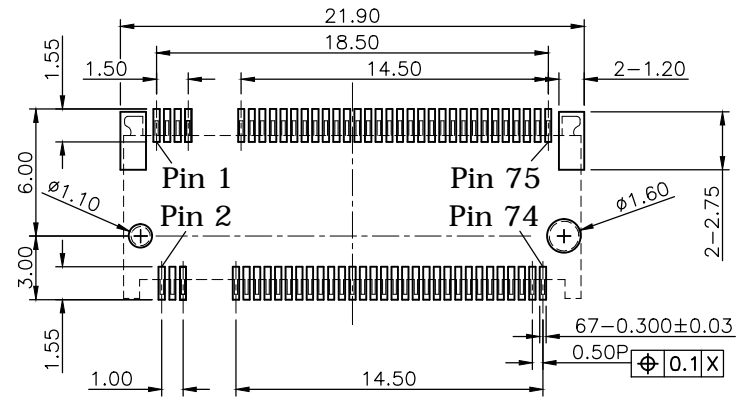
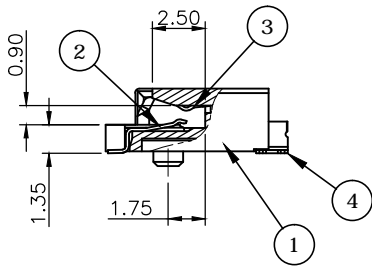
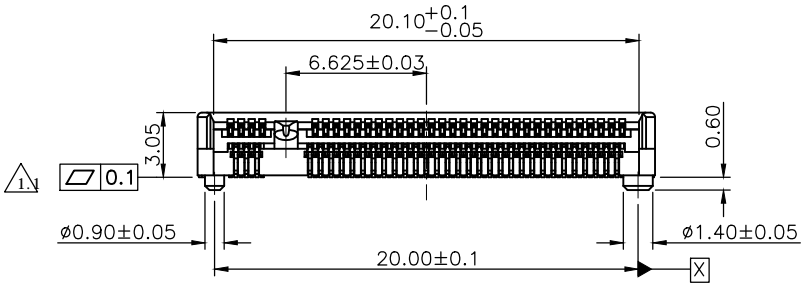
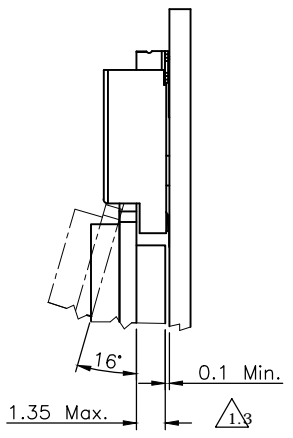


Date code: YWWD
 Y=Year, 0~9
 WW=Week, 1~52
 D=Day, 1~7



Recommended Layout (Top View)
 General Tolerance: ±0.05mm



REV.	DESCRIPTION	DRAWN	DATE
1.1	Add flatness tolerance	FROS	2019/08/07
1.2	Corrected temperature to 85°C	FROS	2019/08/15
1.3	Added M.2 module thickness & related space height	FROS	2019/08/29

SPECIFICATION:

- ELECTRICAL**
 - Current Rating: 0.5A per pin
 - Voltage Rating: 50VAC
 - Contact Resistance: 50mΩ
 - Insulation Resistance: 500MΩ
 - Dielectric Withstanding Voltage: 300VAC

- MECHANICAL**
 - Durability: 60 Cycle
 - Mating Force: 20N max.
 - Un-mating Force: 25N max.

- ENVIRONMENTAL**
 - Operating temperature range: -40°C~+85°C
 - Storage temperature range: -40°C~+85°C

- SOLDER ABILITY**
 - Recommended IR Reflow (Wave Soldering) Temperature: 260°C

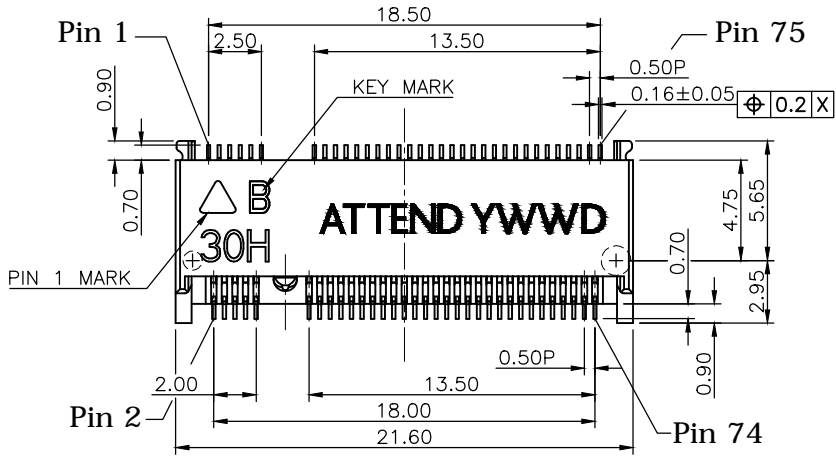
4	HOLD DOWN	BRASS, C2680R-H, 100u" Matte Tin plated, under-plated Nickel 50u"
3	LOWER CONTACT	PHOSPHOR BRONZE, C5210R-EH
2	UPPER CONTACT	Contact area: Gold flash, Solder area: Gold flash, all under-plated Nickel 50u"
1	INSULATOR	LCP, UL94V-0, BLACK
NO.	PART NAME	DESCRIPTION

UNLESS OTHERWISE SPECIFIED TOLERANCE			
UNIT:	DECIMAL	LINEAR	ANGLES
mm	X.	±0.50	±5°
	X.X	±0.25	±3°
	X.XX	±0.12	±1°

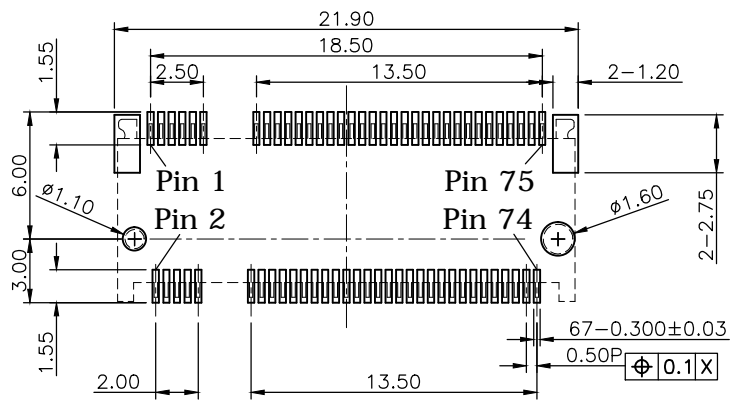
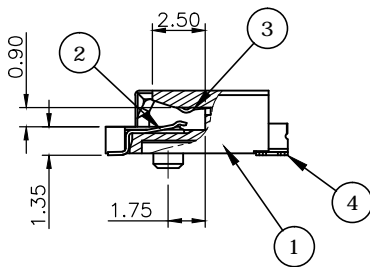
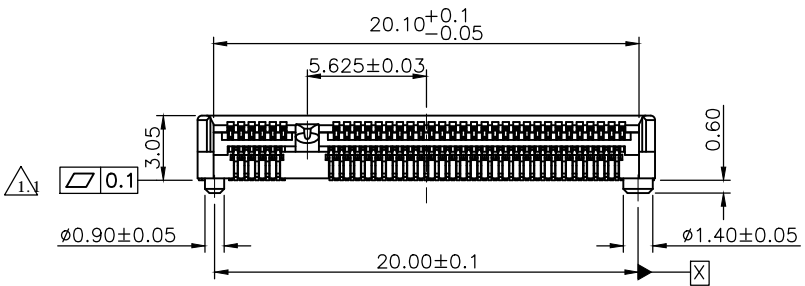


WWW.ATTEND.COM.TW

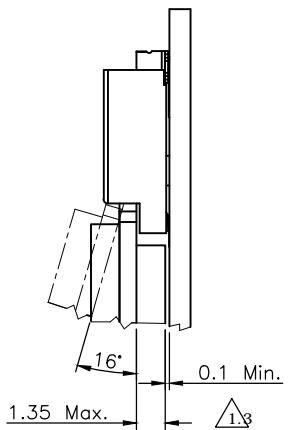
DRAWN	Fros	2018/12/06	DRAWN NAME:	M.2 Socket, H3.0 A Key	
CHECKED	Tim	2018/12/06		0.5 Pitch G/F, Black, Reel	
APPROVED	Ken	2018/12/06	PRODUCT NO.	123A-30A00	
SCALE	2.8	SHEET	1/1	SIZE	A4
FILE NAME	123A-30A00_B_1.3				



Date code: YWWD
 Y=Year, 0~9
 WW=Week, 1~52
 D=Day, 1~7



Recommended Layout (Top View)
 General Tolerance: ±0.05mm



REV.	DESCRIPTION	DRAWN	DATE
1.1	Add flatness tolerance	FROS	2019/08/07
1.2	Corrected temperature to 85°C	FROS	2019/08/15
1.3	Added M.2 module thickness & related space height	FROS	2019/08/29

SPECIFICATION:

- ELECTRICAL**
 - Current Rating: 0.5A per pin
 - Voltage Rating: 50VAC
 - Contact Resistance: 50mΩ
 - Insulation Resistance: 500MΩ
 - Dielectric Withstanding Voltage: 300VAC

- MECHANICAL**
 - Durability: 60 Cycle
 - Mating Force: 20N max.
 - Un-mating Force: 25N max.

- ENVIRONMENTAL**
 - Operating temperature range: -40°C~+85°C
 - Storage temperature range: -40°C~+85°C

- SOLDER ABILITY**
 - Recommended IR Reflow (Wave Soldering) Temperature: 260°C

4	HOLD DOWN	BRASS, C2680R-H, 100u" Matte Tin plated, under-plated Nickel 50u"
3	LOWER CONTACT	PHOSPHOR BRONZE, C5210R-EH
2	UPPER CONTACT	Contact area: Gold flash, Solder area: Gold flash, all under-plated Nickel 50u"
1	INSULATOR	LCP, UL94V-0, BLACK
NO.	PART NAME	DESCRIPTION

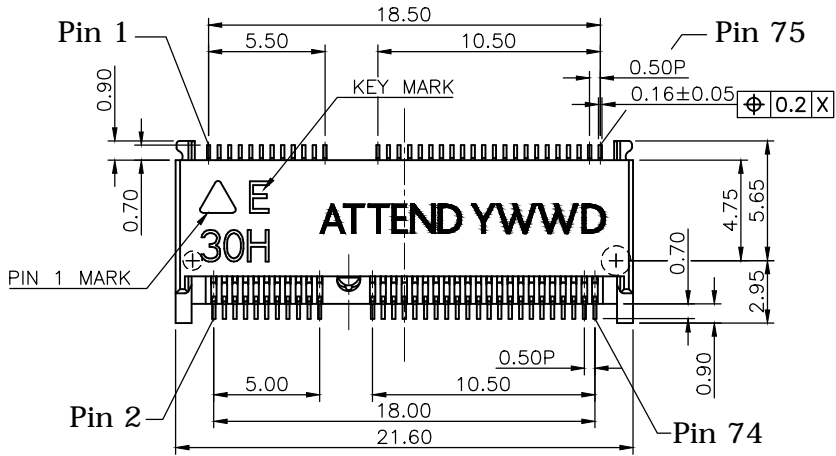
UNLESS OTHERWISE SPECIFIED TOLERANCE

UNIT:	DECIMAL	LINEAR	ANGLES
mm	X.	±0.50	±5°
	X.X	±0.25	±3°
	X.XX	±0.12	±1°

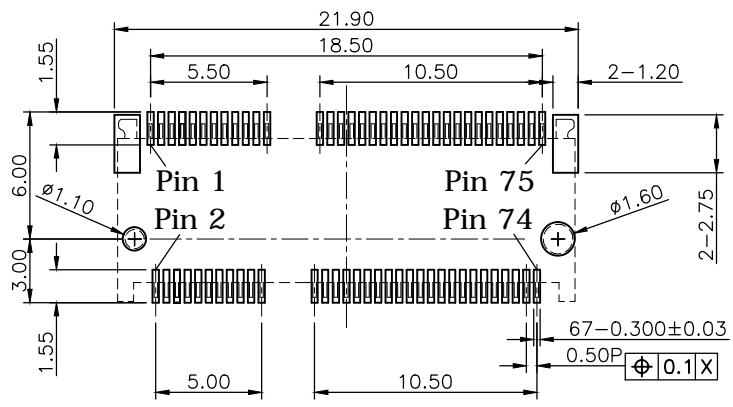
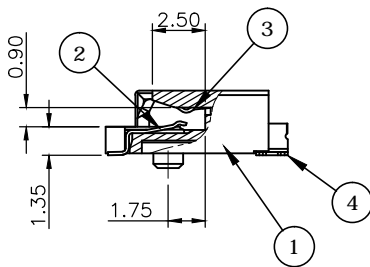
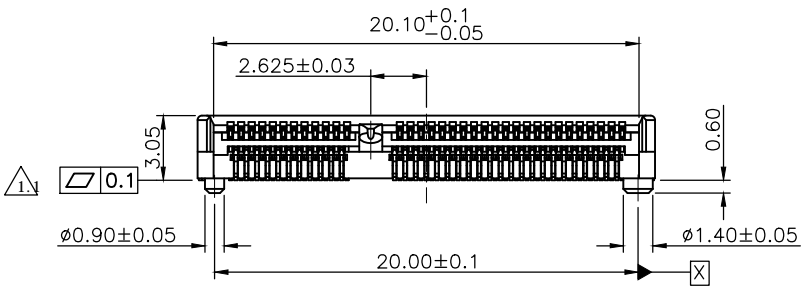


WWW.ATTEND.COM.TW

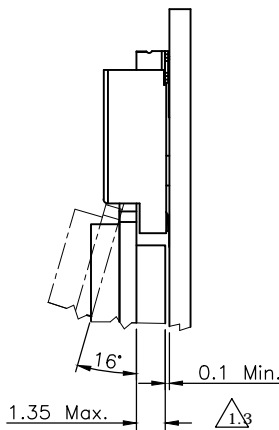
DRAWN	Fros	2018/12/06	DRAWN NAME:	M.2 Socket, H3.0 B Key			
CHECKED	Tim	2018/12/06		0.5 Pitch G/F, Black, Reel			
APPROVED	Ken	2018/12/06	PRODUCT NO.	123A-30B00			
SCALE	2.8	SHEET	1/1	SIZE	A4	FILE NAME	123A-30B00_B_1.3



Date code: YWWD
 Y=Year, 0~9
 WW=Week, 1~52
 D=Day, 1~7



Recommended Layout (Top View)
 General Tolerance: ±0.05mm



REV.	DESCRIPTION	DRAWN	DATE
1.1	Add flatness tolerance	FROS	2019/08/07
1.2	Corrected temperature to 85°C	FROS	2019/08/15
1.3	Added M.2 module thickness & related space height	FROS	2019/08/29

SPECIFICATION:

- ELECTRICAL**
 - Current Rating: 0.5A per pin
 - Voltage Rating: 50VAC
 - Contact Resistance: 50mΩ
 - Insulation Resistance: 500MΩ
 - Dielectric Withstanding Voltage: 300VAC

- MECHANICAL**
 - Durability: 60 Cycle
 - Mating Force: 20N max.
 - Un-mating Force: 25N max.

- ENVIRONMENTAL**
 - Operating temperature range: -40°C~+85°C
 - Storage temperature range: -40°C~+85°C

- SOLDER ABILITY**
 - Recommended IR Reflow (Wave Soldering) Temperature: 260°C

4	HOLD DOWN	BRASS, C2680R-H, 100u" Matte Tin plated, under-plated Nickel 50u"
3	LOWER CONTACT	PHOSPHOR BRONZE, C5210R-EH
2	UPPER CONTACT	Contact area: Gold flash, Solder area: Gold flash, all under-plated Nickel 50u"
1	INSULATOR	LCP, UL94V-0, BLACK
NO.	PART NAME	DESCRIPTION

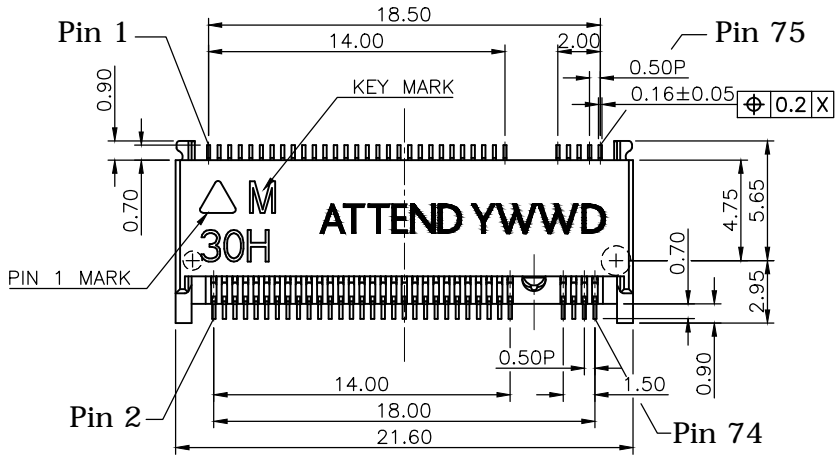
UNLESS OTHERWISE SPECIFIED TOLERANCE

UNIT:	DECIMAL	LINEAR	ANGLES
mm	X.	±0.50	±5°
	X.X	±0.25	±3°
	X.XX	±0.12	±1°

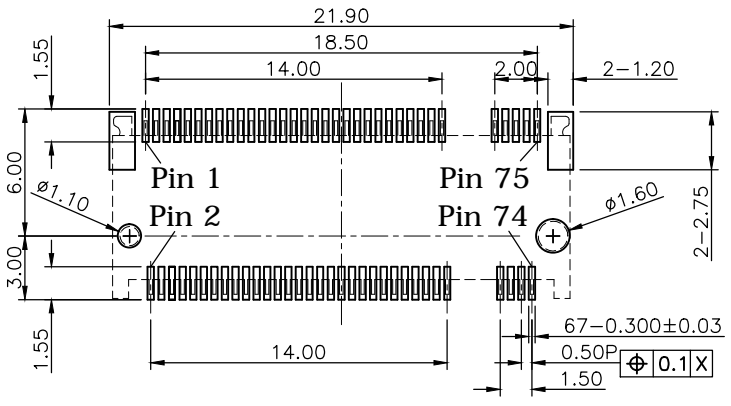
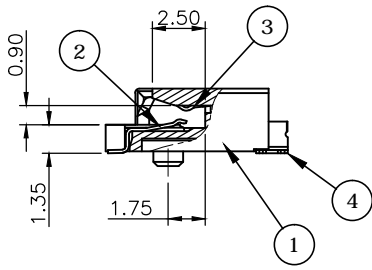
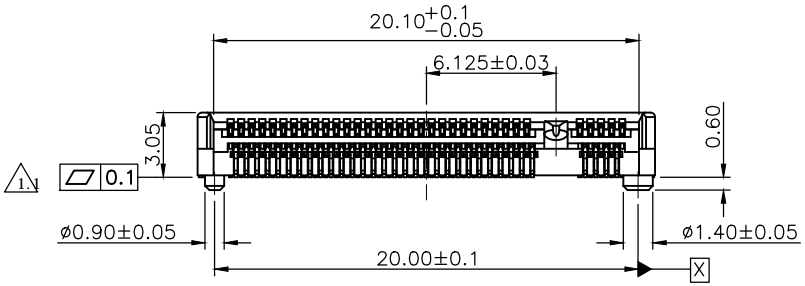


WWW.ATTEND.COM.TW

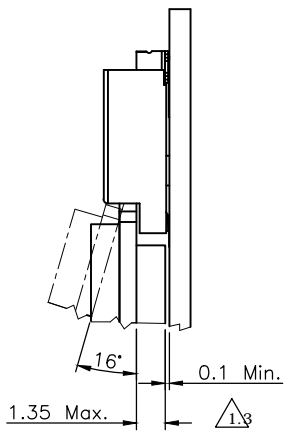
DRAWN	Fros	2018/12/06	DRAWN NAME:	M.2 Socket, H3.0 E Key			
CHECKED	Tim	2018/12/06		0.5 Pitch G/F, Black, Reel			
APPROVED	Ken	2018/12/06	PRODUCT NO.	123A-30E00			
SCALE	2.8	SHEET	1/1	SIZE	A4	FILE NAME	123A-30E00_B_1.3



Date code: YWWD
 Y=Year, 0~9
 WW=Week, 1~52
 D=Day, 1~7



Recommended Layout (Top View)
 General Tolerance: ±0.05mm



REV.	DESCRIPTION	DRAWN	DATE
1.1	Add flatness tolerance	FROS	2019/08/07
1.2	Corrected temperature to 85°C	FROS	2019/08/15
1.3	Added M.2 module thickness & related space height	FROS	2019/08/29

SPECIFICATION:

- ELECTRICAL**
 - Current Rating: 0.5A per pin
 - Voltage Rating: 50VAC
 - Contact Resistance: 50mΩ
 - Insulation Resistance: 500MΩ
 - Dielectric Withstanding Voltage: 300VAC

- MECHANICAL**
 - Durability: 60 Cycle
 - Mating Force: 20N max.
 - Un-mating Force: 25N max.

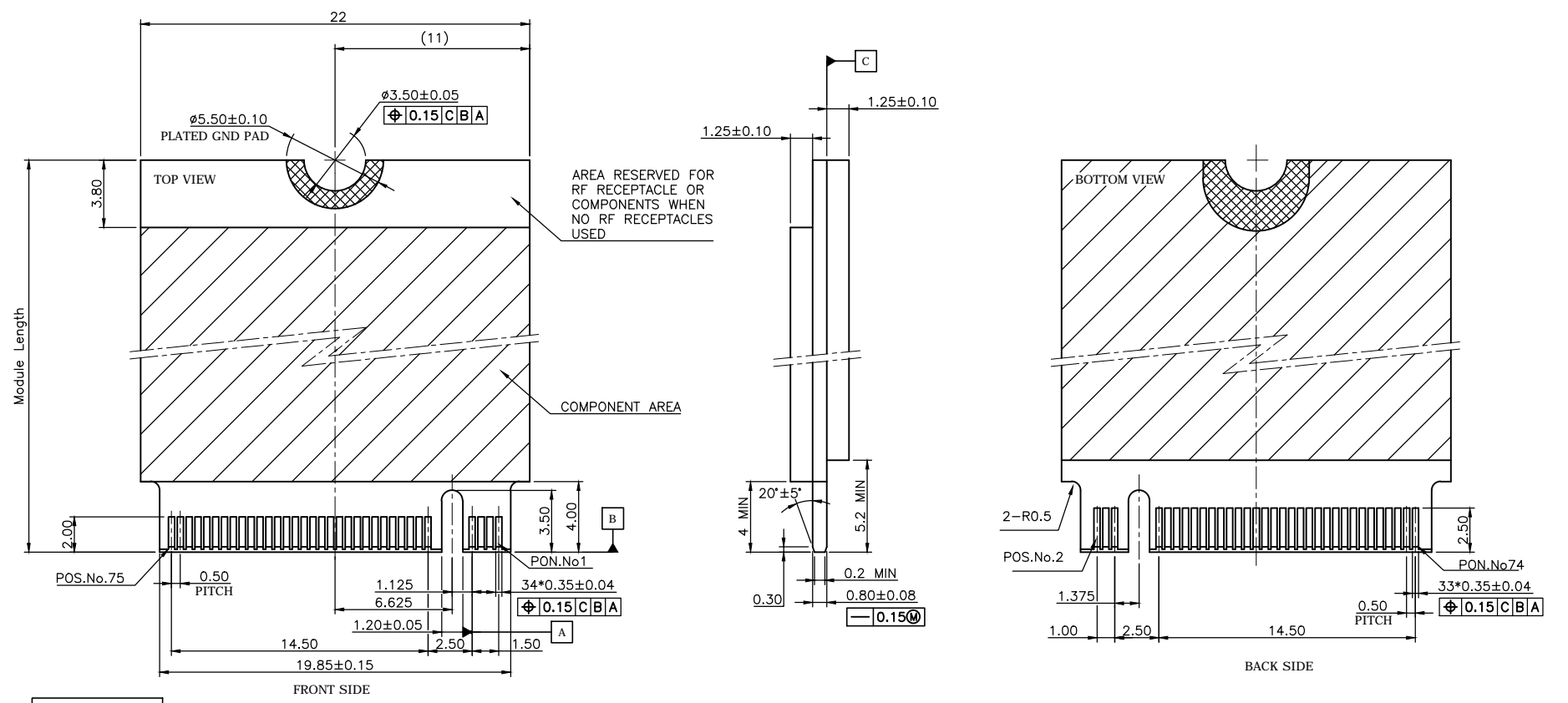
- ENVIRONMENTAL**
 - Operating temperature range: -40°C~+85°C
 - Storage temperature range: -40°C~+85°C

- SOLDER ABILITY**
 - Recommended IR Reflow (Wave Soldering) Temperature: 260°C

4	HOLD DOWN	BRASS, C2680R-H, 100u" Matte Tin plated, under-plated Nickel 50u"	
3	LOWER CONTACT	PHOSPHOR BRONZE, C5210R-EH	
2	UPPER CONTACT	Contact area: Gold flash, Solder area: Gold flash, all under-plated Nickel 50u"	
1	INSULATOR	LCP, UL94V-0, BLACK	
NO.	PART NAME	DESCRIPTION	
UNLESS OTHERWISE SPECIFIED TOLERANCE			
UNIT:	DECIMAL	LINEAR	ANGLES
mm	X.	±0.50	±5°
	X.X	±0.25	±3°
	X.XX	±0.12	±1°
WWW.ATTEND.COM.TW			
DRAWN	Fros	2018/12/06	DRAWN NAME:
CHECKED	Tim	2018/12/06	M.2 Socket, H3.0 M Key 0.5 Pitch G/F, Black, Reel
APPROVED	Ken	2018/12/06	PRODUCT NO.
SCALE	2.8	SHEET	1/1
SIZE	A4	FILE NAME	123A-30M00_B_1.3




REV.	DESCRIPTION	DRAWN	DATE
1	INITIAL RELEASE	FROS	2019/01/09
1.1	Corrected	FROS	2019/09/11

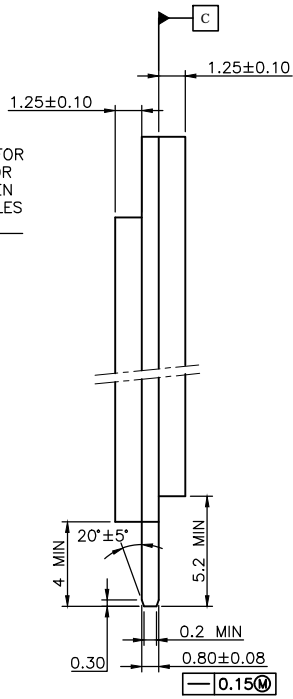
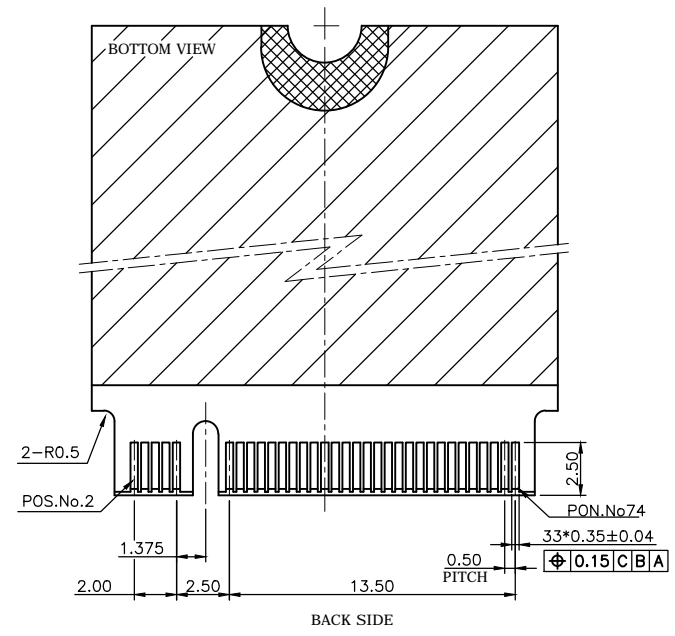
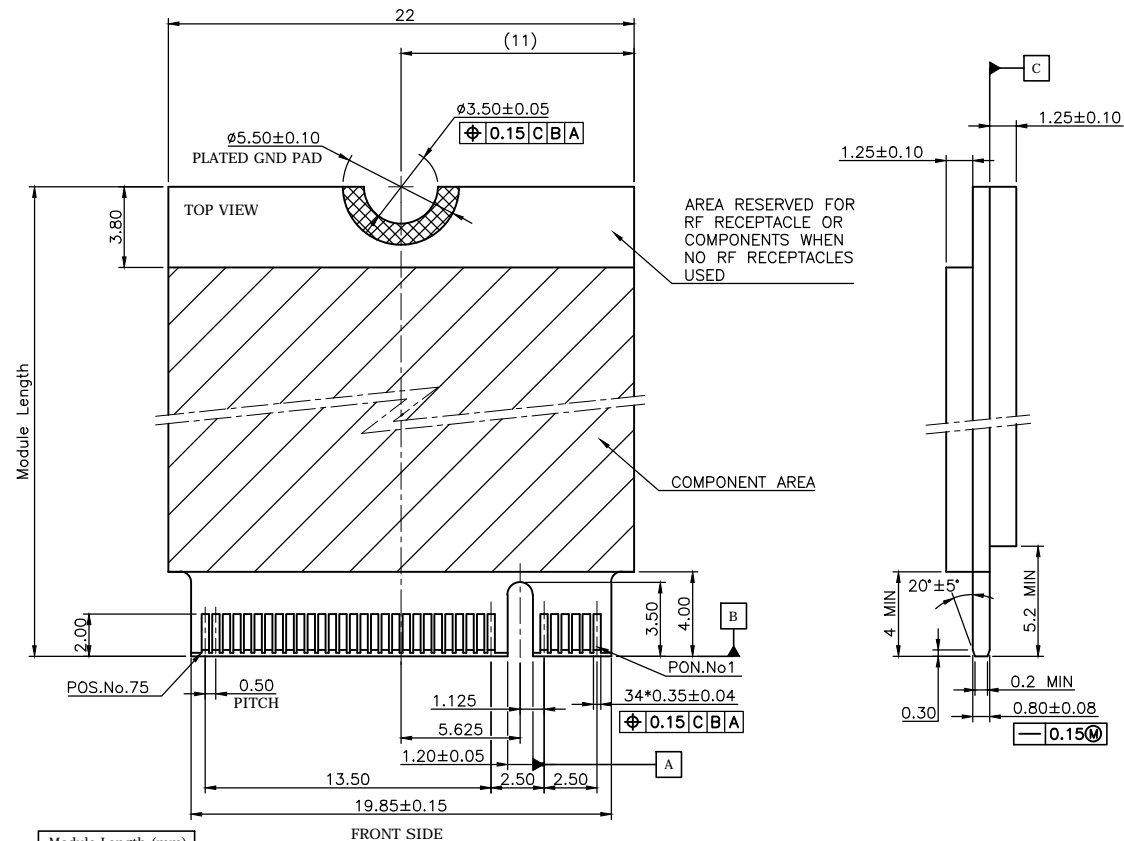


Module Length (mm)
42
60
80
110

KEY ID "A"
RECOMMENDED MODULE LAYOUT


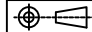
UNLESS OTHERWISE SPECIFIED TOLERANCE								
UNIT:	DECIMAL	LINEAR	ANGLES					
mm	X.	±0.50	±5°					
	X.X	±0.25	±3°					
	X.XX	±0.12	±1°					
DRAWN	Fros	2019/01/09	DRAWN NAME:					
CHECKED	Tim	2019/01/09	PCI Express M.2 Specification					
APPROVED	Ken	2019/01/09	Module Dimensions					
	SCALE	SHEET	SIZE	PRODUCT NO.				
	2.8	1/4	A4	N/A				
			FILE NAME					
			123A-CARD_B_1.1					

REV.	DESCRIPTION	DRAWN	DATE
1	INITIAL RELEASE	FROS	2019/01/09
1.1	Corrected	FROS	2019/09/11

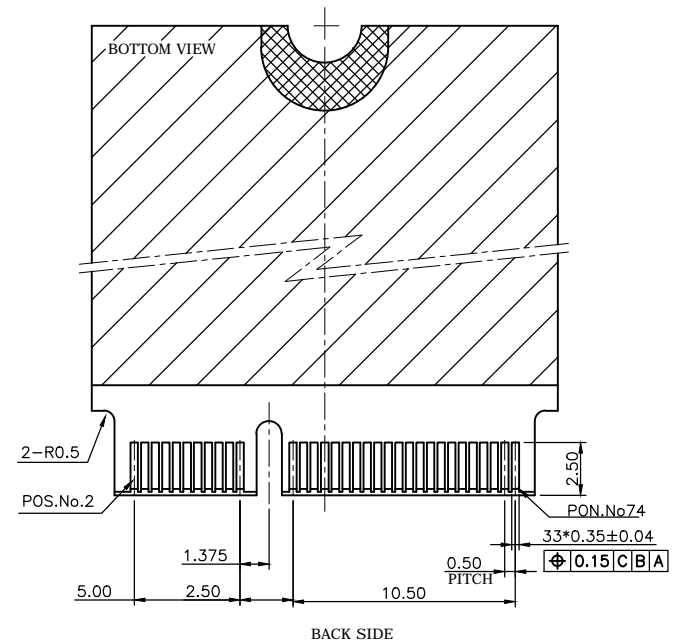
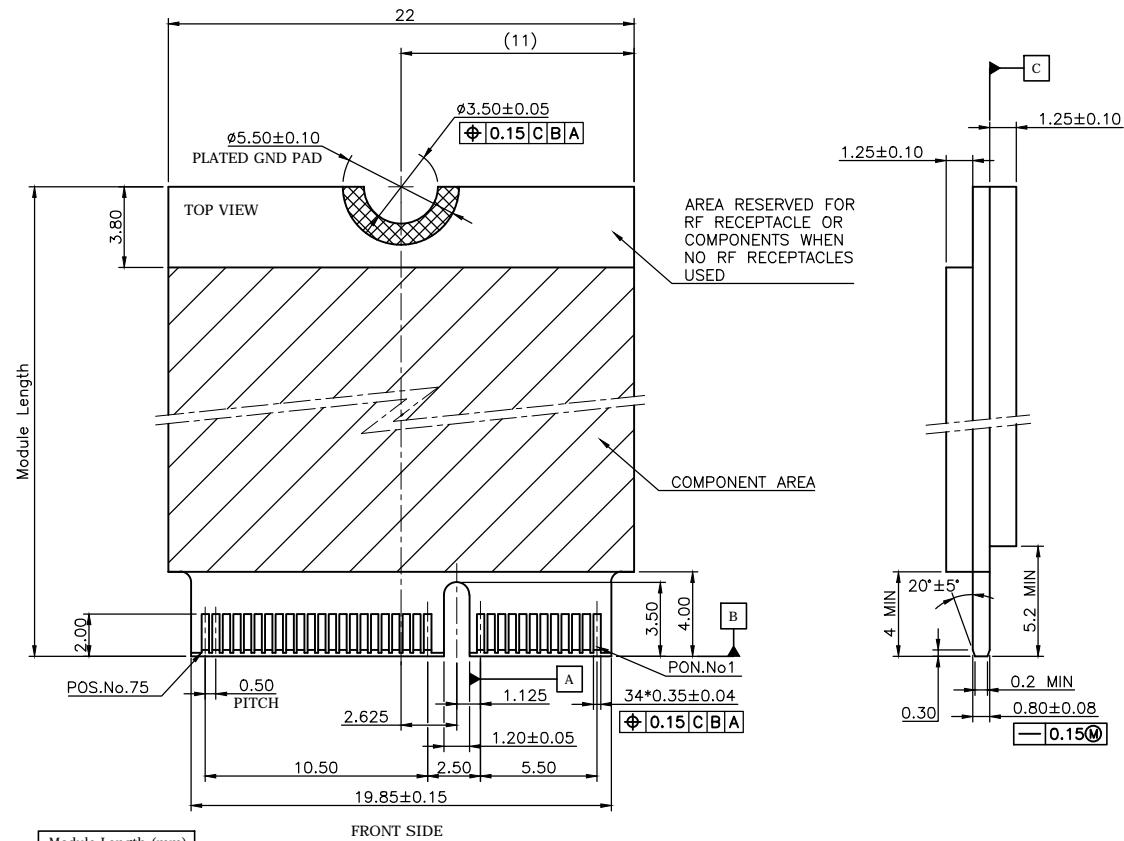


Module Length (mm)
42
60
80
110

KEY ID "B"
RECOMMENDED MODULE LAYOUT


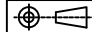
UNLESS OTHERWISE SPECIFIED TOLERANCE					
UNIT:	DECIMAL	LINEAR	ANGLES		
mm	X.	±0.50	±5°	www.attend.com.tw	
	X.X	±0.25	±3°		
	X.XX	±0.12	±1°		
DRAWN	Fros	2019/01/09	DRAWN NAME:		
CHECKED	Tim	2019/01/09	PCI Express M.2 Specification Module Dimensions		
APPROVED	Ken	2019/01/09	PRODUCT NO.	N/A	
	SCALE 2.8	SHEET 2/4	SIZE A4	FILE NAME	123A-CARD_B_1.1

REV.	DESCRIPTION	DRAWN	DATE
1	INITIAL RELEASE	FROS	2019/01/09
1.1	Corrected	FROS	2019/09/11

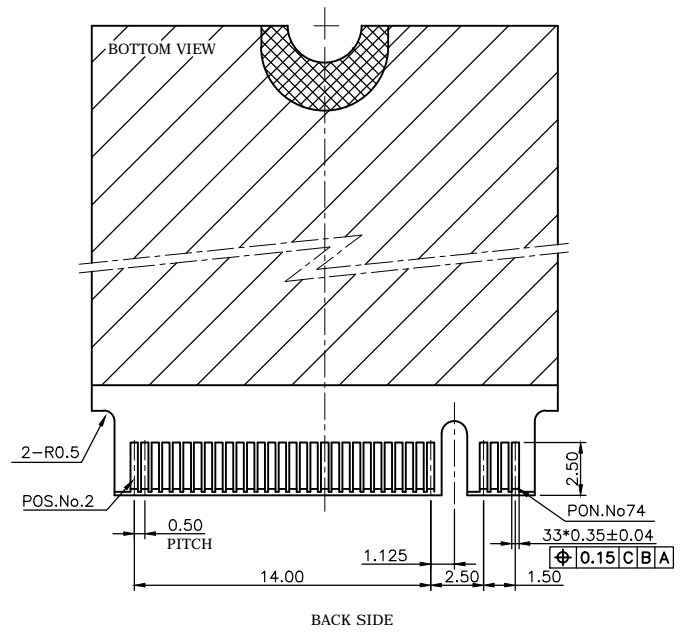
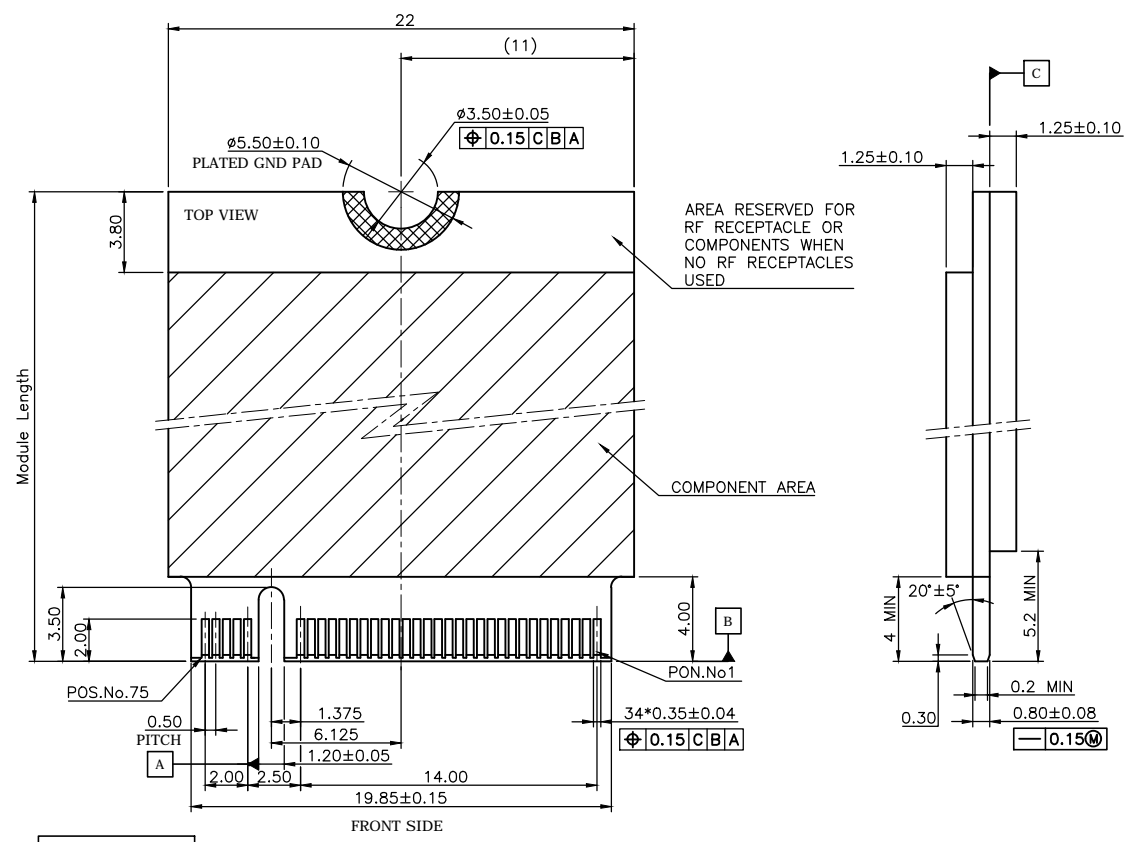


Module Length (mm)
42
60
80
110

KEY ID "E"
RECOMMENDED MODULE LAYOUT


UNLESS OTHERWISE SPECIFIED TOLERANCE					
UNIT:	DECIMAL	LINEAR	ANGLES		
mm	X.	±0.50	±5°	www.attend.com.tw	
	X.X	±0.25	±3°		
	X.XX	±0.12	±1°		
DRAWN	Fros	2019/01/09	DRAWN NAME:		
CHECKED	Tim	2019/01/09	PCI Express M.2 Specification Module Dimensions		
APPROVED	Ken	2019/01/09	PRODUCT NO.	N/A	
	SCALE	SHEET	SIZE	FILE NAME	123A-CARD_B_1.1
	2.8	3/4	A4		

REV.	DESCRIPTION	DRAWN	DATE
1	INITIAL RELEASE	FROS	2019/01/09
1.1	Corrected	FROS	2019/09/11



Module Length (mm)
42
60
80
110

KEY ID "M"
RECOMMENDED MODULE LAYOUT

UNLESS OTHERWISE SPECIFIED TOLERANCE					
UNIT:	DECIMAL	LINEAR	ANGLES		
mm	X.	±0.50	±5°	www.attend.com.tw	
	X.X	±0.25	±3°		
	X.XX	±0.12	±1°		
DRAWN	Fros	2019/01/09	DRAWN NAME:		
CHECKED	Tim	2019/01/09	PCI Express M.2 Specification Module Dimensions		
APPROVED	Ken	2019/01/09	PRODUCT NO.	N/A	
SCALE 2.8		SHEET 4/4	SIZE A4	FILE NAME	123A-CARD_B_1.1

REV.	DESCRIPTION	DRAWN	DATE
1	INITIAL RELEASE	TIM	2018/01/19

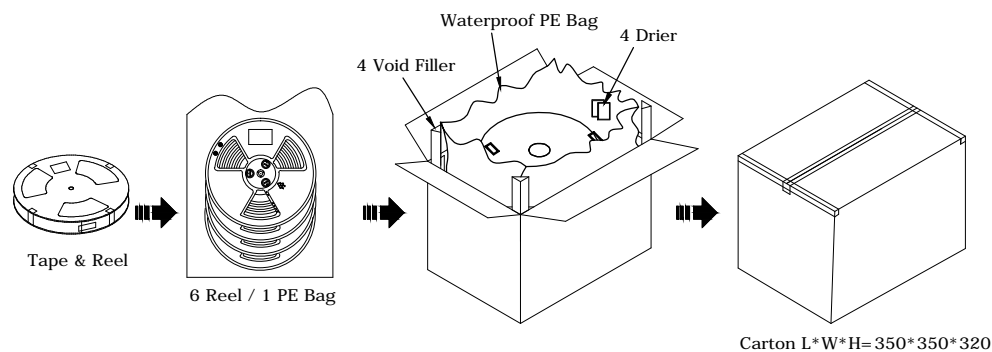
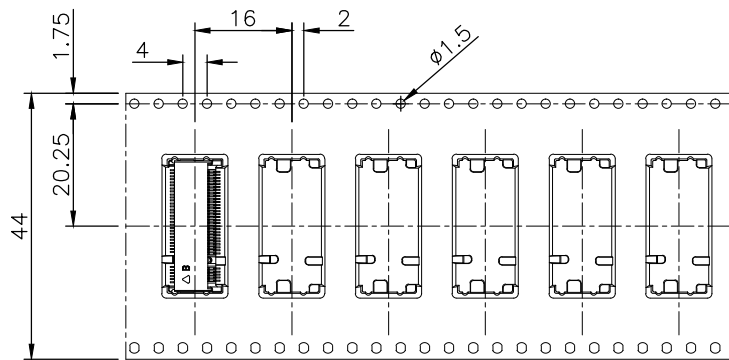
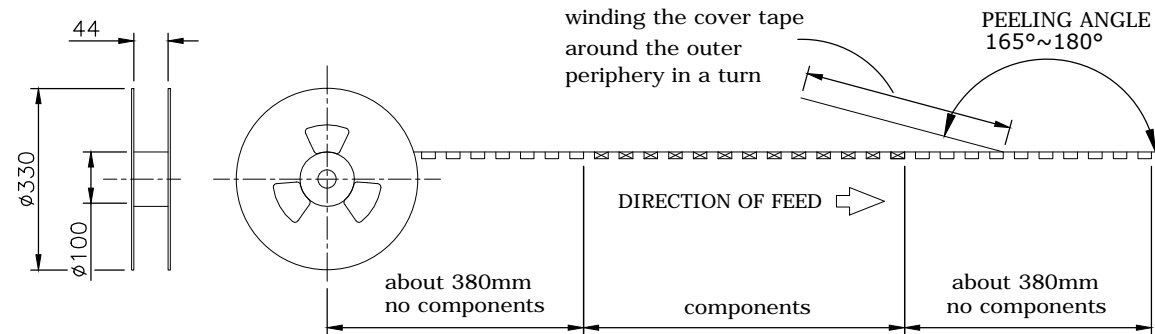
PACKAGING SPECIFICATION:


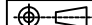
1. MATERIAL

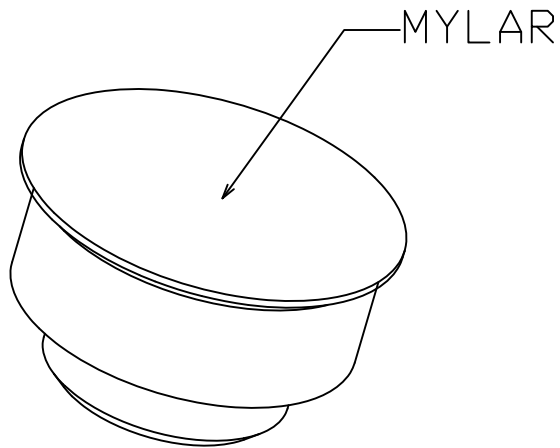
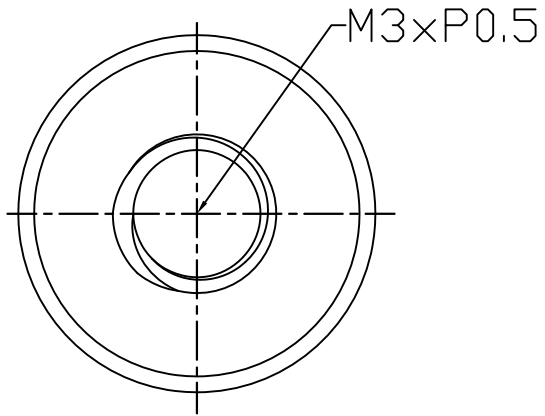
- 1.1 Embossed Carrier Tape: PS Black
- 1.2 Top Cover Tape: PET
20-80g(Peel Speed 300mm/Minute)
- 1.3 Taping Reel: Plastic

2. Packaging:

P/N	Height	Reel	Carton
123A-21X00	2.15	1200	7200
123A-30X00	3.05	900	5400
123A-40X00	4.05	700	4200
123A-58X00	5.80	600	3600

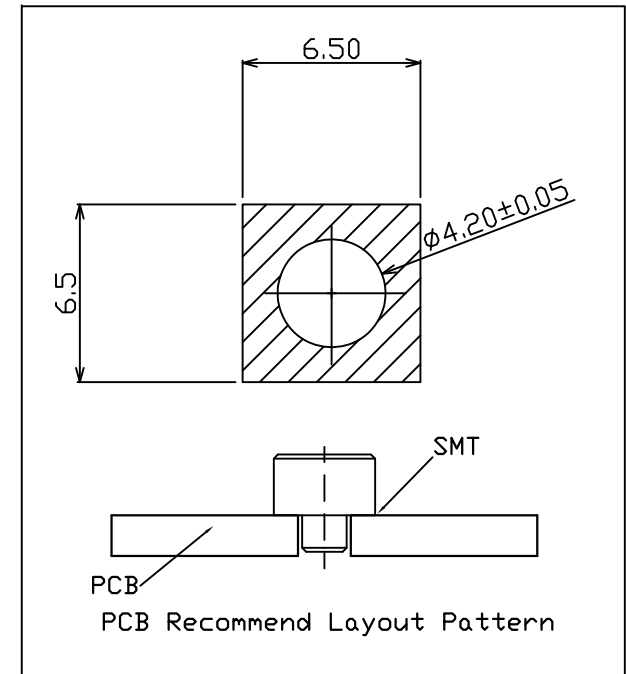
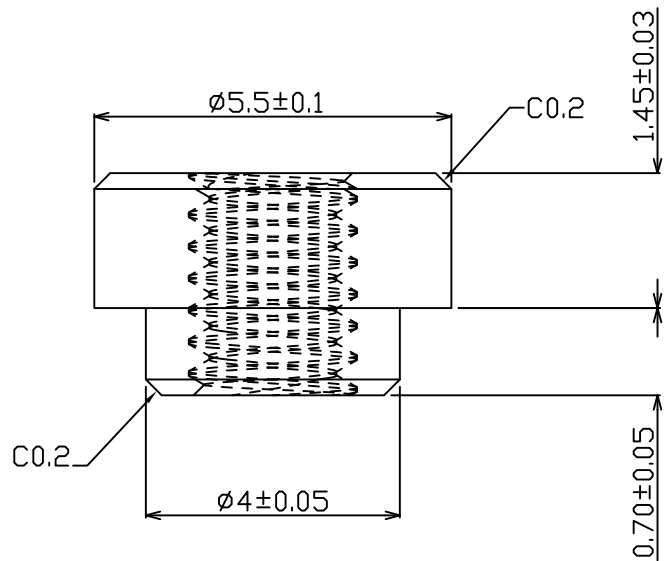


UNLESS OTHERWISE SPECIFIED TOLERANCE					
UNIT:	DECIMAL	LINEAR	ANGLES		
mm	X.	±0.50	±5°	WWW.ATTEND.COM.TW	
	X.X	±0.25	±3°		
	X.XX	±0.12	±1°		
DRAWN	Tim	2018/01/19	DRAWN NAME: M.2 CONNECTOR PACKAGING		
CHECKED	Fros	2018/01/19			
APPROVED	Ken	2018/01/19	PRODUCT NO.	123A-XXX00	
	SCALE 0.8	SHEET 1/1	SIZE A4	FILE NAME	123A-XXX00_D_1

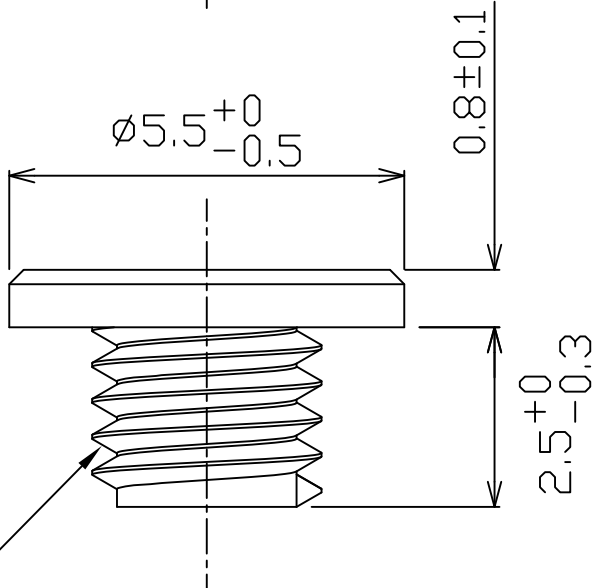
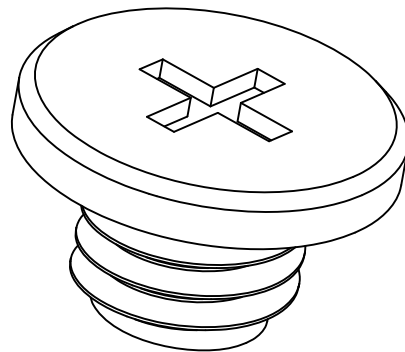
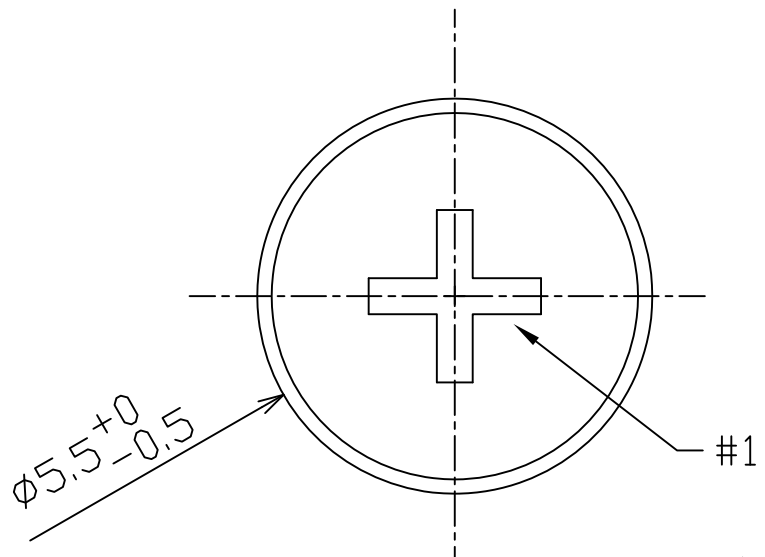


NOTE:

- 1.MATERIAL: Copper Alloy
- 2.Plating: Sn.



REV.	DESCRIPTION	DATE	REV.	DESCRIPTION	DATE	UNLESS OTHERWISE SPECIFIED TOLERANCE		www.attend.com.tw	
						ANGLES	ANG.	$\pm 5^\circ$	
							0.	± 0.3	
						LINEAR	0.0	± 0.25	
							0.00	± 0.20	
						SCALE	AS SHOWN	UNIT: mm	
A	Revise:					DRAWN	Willis	2013/08/06	DRAWN NAME:
	Revise:					CHECKED	Angel	2013/08/06	M.2 Connector Stand Off
	Revise:					APPROVED	Ken	2013/08/06	PRODUCT NO. 123A-NUT-32
						SIZE	A4	REV. 1.0	FILE NAME 123A-NUT-32_B_1



M3.0*P0.50

Note:
 1.Material: Low-carbon steel
 2.Plating: Nickel

						UNLESS OTHERWISE SPECIFIED TOLERANCE			 www.attend.com.tw	
						ANGLES	ANG.	±5°		
						LINEAR	0.	±0.3		
							0.00	±0.20		
						SCALE	AS SHOWN	UNIT: mm	DRAWN NAME: M.2 Series Screw	
A						DRAWN	Willis	2013/08/06	PRODUCT NO. 123A-SCREW	
A						CHECKED	Angel	2013/08/06	FILE NAME 123A-SCREW_B_1	
A						APPROVED	Ken	2013/08/06		
REV.	DESCRIPTION		DATE	REV.	DESCRIPTION		DATE	SIZE	REV.	
1				4				A4	1.0	