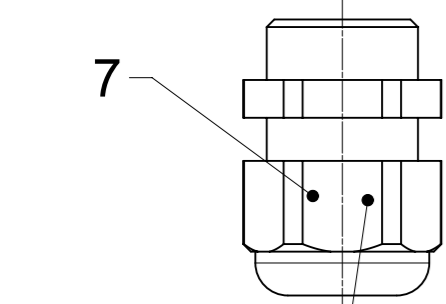
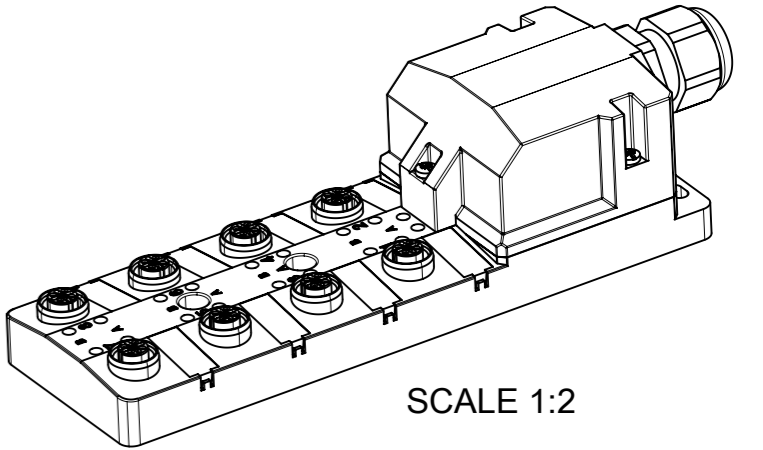


ITEM	DESCRIPTION	MATERIAL	FINISH
1	CONTACT	CuSn6	GOLD OVER NICKEL
2	O-RING	FPM	BLACK
3	SHELL	BRASS	NICKEL PLATED
4	LABEL	ABS	WHITE
5	HOUSING	PBT	BLACK
6	SCREW	VA	VA

NOTE:  
CABLE CLUMPING (ITEM NO. 7, 1x) AND LABEL (10x) INCLUDED IN THE PACKAGE



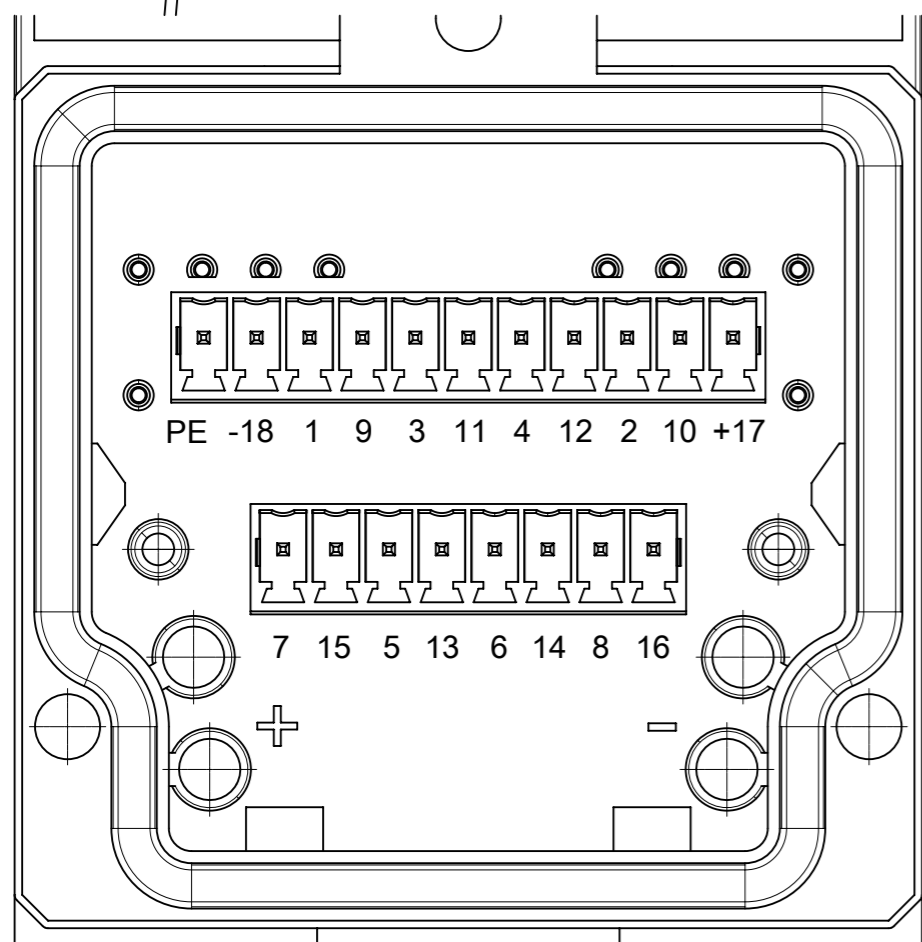
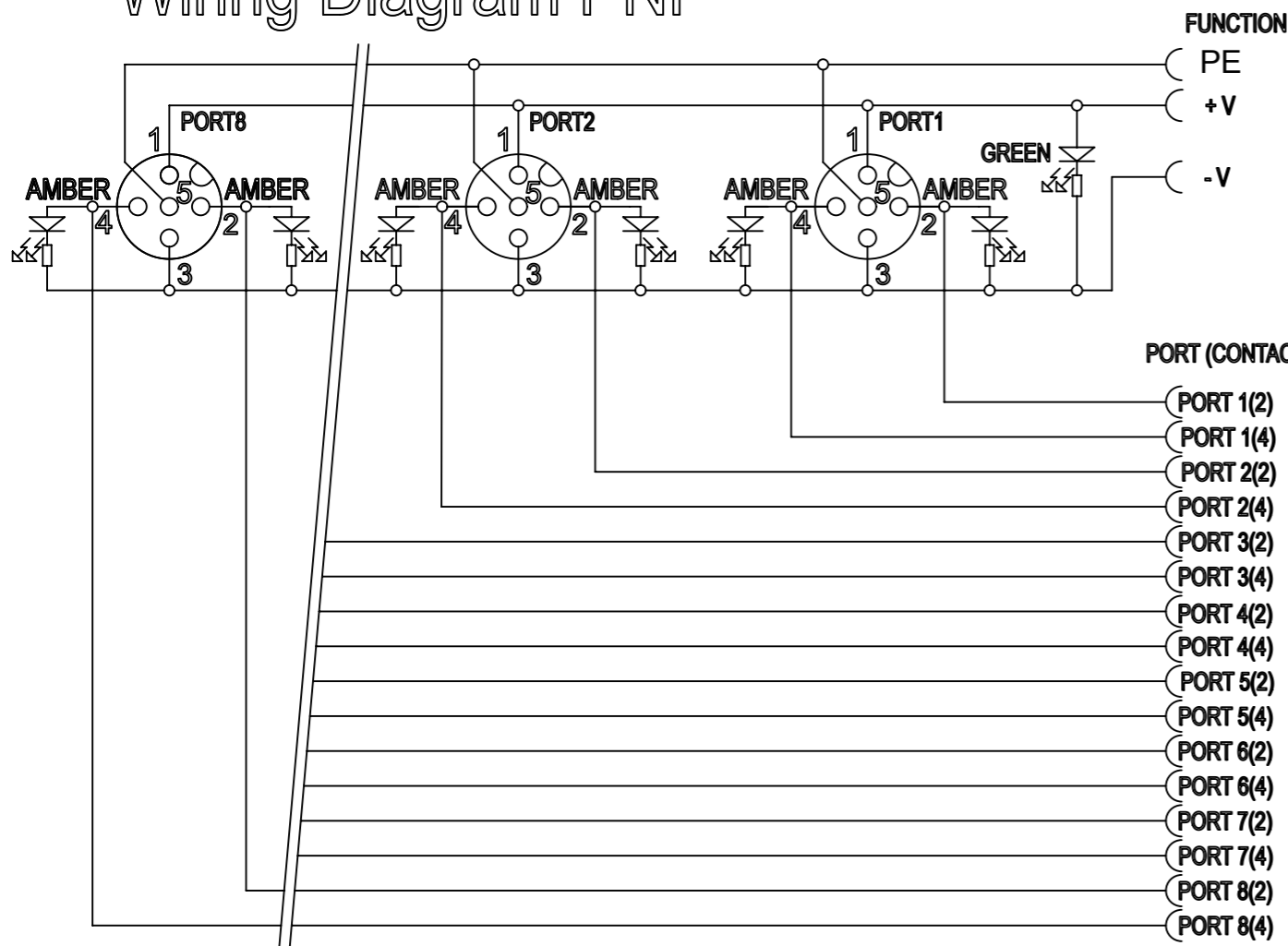
CABLE CLUMPING

ELECTRICAL AND MECHANICAL DATA ACC. TO IEC 61076-2-101

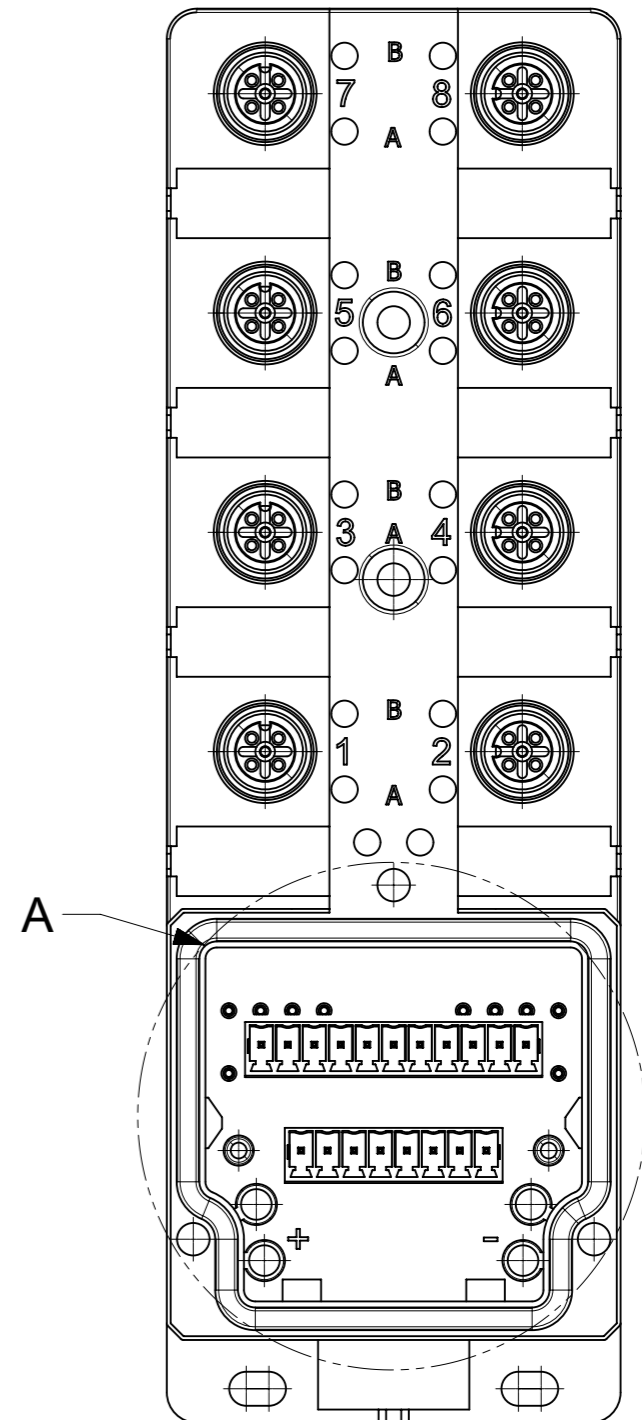
NOMINAL VOLTAGE: 10-30 V DC  
 AMPERE RATING: 3 A PER PORT / 9 A MAX  
 IP DEGREE OF PROTECTION: IP 67  
 TEMPERATURE RANGE: -20°C to + 80°C  
 CABLE CLUMPING: 6-12mm

SYMBOLS	THIS DRAWING CONTAINS INFORMATION THAT IS PROPRIETARY TO MOLEX ELECTRONIC TECHNOLOGIES, LLC AND SHOULD NOT BE USED WITHOUT WRITTEN PERMISSION	CURRENT REV DESC: BOM CHANGED / ELECTRICAL NOTE CHANGED				
	DIMENSION UNITS: mm SCALE: 1:1 GENERAL TOLERANCES (UNLESS SPECIFIED): ANGULAR TOL: ± °	EC NO: 608985 DRWN: ULETENMEIER 2018/12/11 CHK'D: RSILLER 2018/12/11 APPR: RSILLER 2018/12/11				MPIS M12 FA PNP 5P 8PT AC FE
4 PLACES ± 3 PLACES ± 2 PLACES ± 1 PLACE ± 0 PLACES ±	INITIAL REVISION: DRWN: ULETENMEIER 2018/01/10 APPR: RSILLER 2018/04/09		PRODUCT CUSTOMER DRAWING		DOCUMENT NUMBER: 1202480140 DOC TYPE: PSD DOC PART: 000 REVISION: A2	
DRAFT WHERE APPLICABLE MUST REMAIN WITHIN DIMENSIONS	THIRD ANGLE PROJECTION	DRAWING: A3-SIZE	SERIES: 120248	MATERIAL NUMBER: 1202480140		CUSTOMER: GENERAL MARKET

# Wiring Diagram PNP



**DETAIL A**  
SCALE 2:1



<b>SYMBOLS</b> ▽ = 0 ▽ = 0 ▽ = 0 ▽ = 0 ▽ = 0 ▽ = 0 ▽ = 0 ▽ = 0 ▽ = 0 ▽ = 0 ▽ = 0	THIS DRAWING CONTAINS INFORMATION THAT IS PROPRIETARY TO MOLEX ELECTRONIC TECHNOLOGIES, LLC AND SHOULD NOT BE USED WITHOUT WRITTEN PERMISSION. DIMENSION UNITS: <b>mm</b> SCALE: <b>1:1</b>	CURRENT REV DESC: BOM CHANGED / ELECTRICAL NOTE CHANGED EC NO: 608985 DRWN: ULETTENMEIER 2018/12/11 CHK'D: RSILLER 2018/12/11 APPR: RSILLER 2018/12/11	<b>molex</b>		
	GENERAL TOLERANCES (UNLESS SPECIFIED) ANGULAR TOL ± °	INITIAL REVISION: DRWN: ULETTENMEIER 2018/01/10 APPR: RSILLER 2018/04/09			
	DRAFT WHERE APPLICABLE MUST REMAIN WITHIN DIMENSIONS THIRD ANGLE PROJECTION	DRAWING: <b>A3-SIZE</b> SERIES: <b>120248</b>	MATERIAL NUMBER: <b>1202480140</b> CUSTOMER: <b>GENERAL MARKET</b>	SHEET NUMBER: <b>2 OF 2</b>	