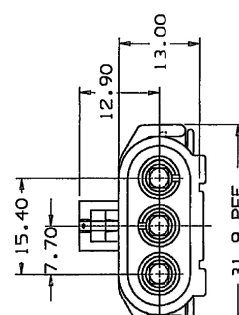
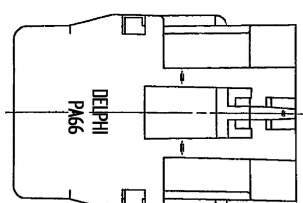
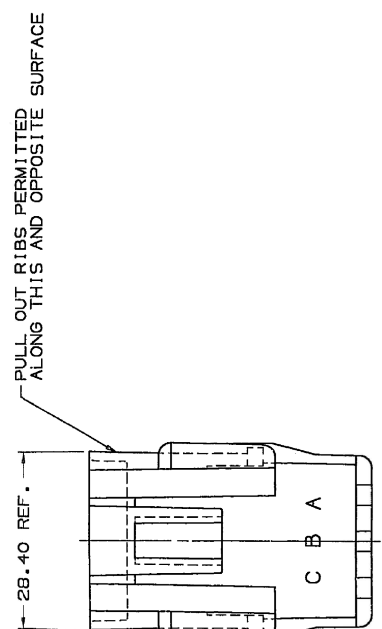
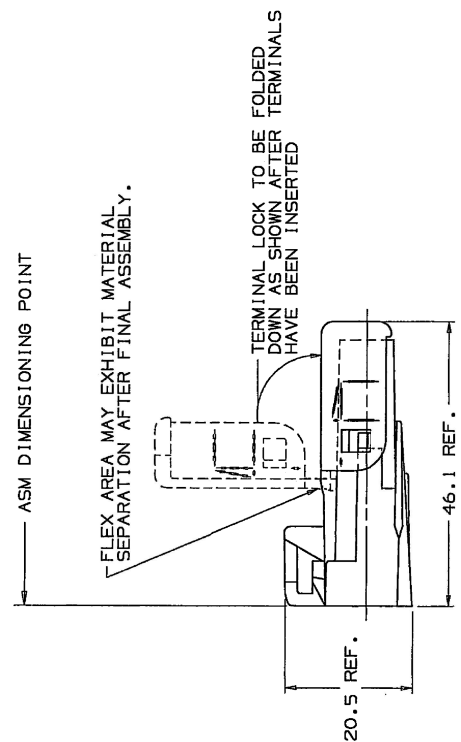


REV	DATE	BY	CHKD	REVISION HISTORY
1				ALL PARTS CREATED FOR REVISED WAVE SPEC'S 2200M PERFORMANCE FT 2300M PERFORMANCE FT 2350M PERFORMANCE FT 2400M PERFORMANCE FT 2450M PERFORMANCE FT 2500M PERFORMANCE FT 2550M PERFORMANCE FT 2600M PERFORMANCE FT 2650M PERFORMANCE FT 2700M PERFORMANCE FT 2750M PERFORMANCE FT 2800M PERFORMANCE FT 2850M PERFORMANCE FT 2900M PERFORMANCE FT 2950M PERFORMANCE FT 3000M PERFORMANCE FT



INDEX CODE
013
(ALSO SEE HANDBOOK)



- NOTES —
1. USE TERMINAL 1208940 OR EQUIVALENT.
 2. USE 1208940 OR EQUIVALENT.
 3. USE 1208933 LOCK OR EQUIVALENT.
 4. SEALING CODE 3.
 5. USE 1201523 CABLE SEAL OR EQUIVALENT.
 6. CAUTION: DO NOT ATTEMPT TO COPY THIS DRAWING WHEN THE DRAWING IS UNDER REVISION. THE LATEST COPY OF DRAWING NUMBER 1208940 FROM THE PACKARD ELECTRIC DIVISION, DELPHI CORPORATION, MUST BE USED FOR FINAL ASSEMBLY.
 7. DRAWING SURFACE, PREFERABLY VISIBLE AT FINAL ASSEMBLY, MUST BE MARKED WITH THE DELPHI LOGO.
 8. MATERIAL RECYCLING CODE P466 PER SAE J1334 (3.3) (6.1) RAISED ABOVE THE SURFACE OF THE DRAWING. OPTIONAL CONSTRUCTION TO BE NO MATERIAL RECYCLING CODE.

DELPHI
DELPHI TECHNOLOGICAL SYSTEMS

DATE: 1992
DRAWN BY: GAVILION
CHECKED BY: E. TRACY
PART NO: 1208940
REV: 01

DELPHI CORPORATION
300 NORTH ZEEB ROAD
TROY, MI 48060-8000
TELEPHONE: (313) 486-2000
FAX: (313) 486-2001

SEE CHART

TAXI CONN. MWP SHD

12034357

DATE: 1992
DRAWN BY: GAVILION
CHECKED BY: E. TRACY
PART NO: 12034357
REV: 01

PART NO	REV	NP	STATUS	MATERIAL SPEC & COLOR	APPLICATION	REF. TERMINAL	ASM. PART NUMBER
12034357	04	-	-	M559025 P466 HS IM G9A MD	IN - LINE	1208940/MALE	12034357
1208940	03	-	-	X355024 T466 HS IM CRM	IN - LINE	1208940/MALE	1208940