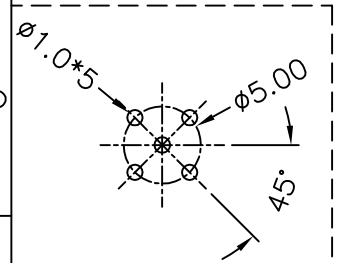
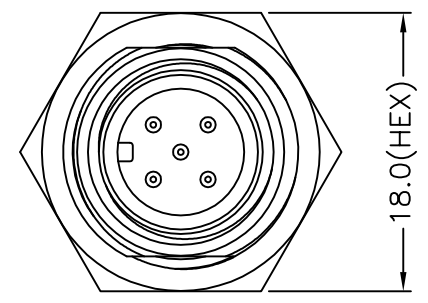
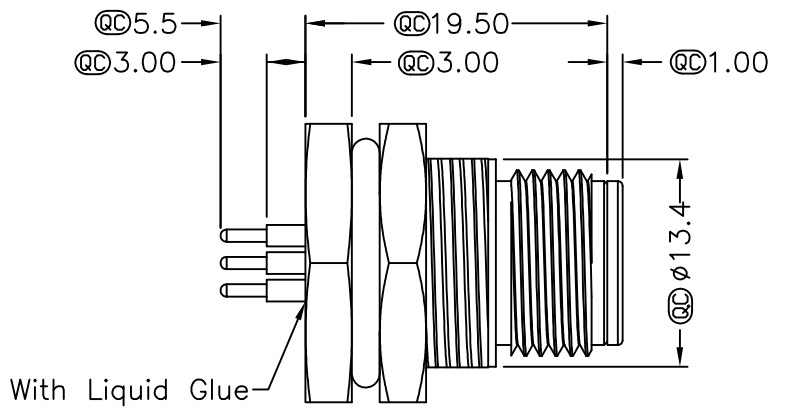
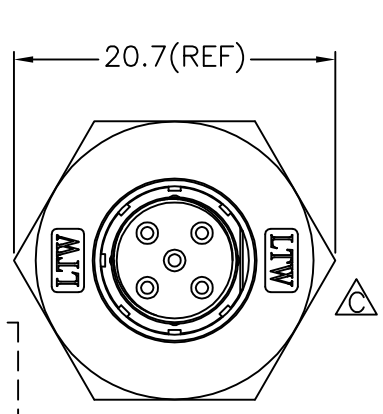
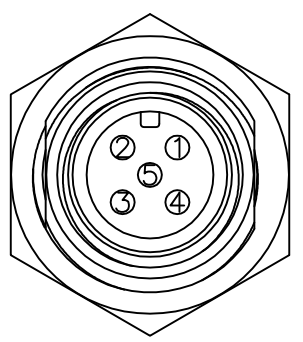
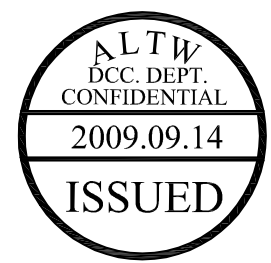
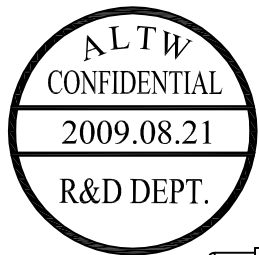


REV.	ECN NO.	DATE	SIGN	DESCRIPTION
B	LEN-7A0080	2007/10/01	Rommel A. Vergara	Added Note.
C	LEN-990018	2009/08/21	Li Xiu Zhi	Change LTW Mark View.

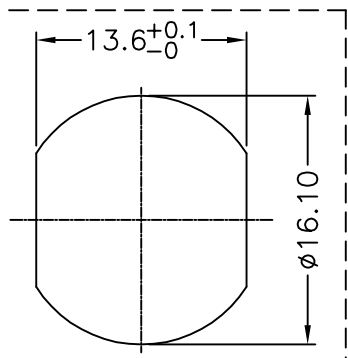
THIS DOCUMENT IS SUBJECT TO CHANGE WITHOUT NOTICE. IT IS CONFIDENTIAL AND A PROPERTY OF Amphenol LTW. DISCLOSURE TO THIRD PARTY HAS TO BE AUTHORIZED BY Amphenol LTW.



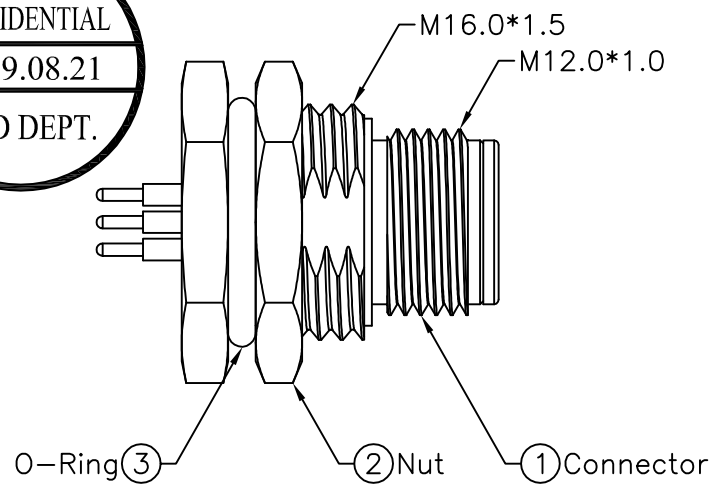
5Pin Male Connector
Male Pin PCB Layout



Pin Assignments
Front View



Recommended
Panel Cut-Out



Note:

- * @C Important Dimension.
- * Waterproof Rate: IP68.
In 1 meter water within 24 hours.
- * Housing: Nylon+GF, Black.
- * Male Pin: Copper Alloy, Gold Plated.
- * Shield: Zinc Alloy, Nickel Plated.
- * Screw Nut: Zinc Alloy, Nickel Plated.
- * O-Ring: EPDM, Black.
- * For Panel Thickness Max 4.5mm.
- * Nut Torque: 4-6 kgf.cm.

UNIT:mm	
TOLERANCE	
.X	±0.25
.XX	±0.1
.XXX	±0.05
ANGLES	±1°

TITLE		M12 Conn	
Panel Screw 5Pin M Conn M Pin			
SCALE	Free	SHEET	1 OF 1
REV.	C	SIZE	A4
		@C	: Inspection Item

Amphenol LTW
安費諾亮泰企業股份有限公司

ITEM NO	12-05PMMP-SF8003
DWG NO	12-05PMMP-SF8003
CUSTOMER	ALTW

DRAWN BY	Li Xiu Zhi
CHECKED BY	Sunny
APPROVED BY	Luke

DATE	2009/08/21
DATE	2009/08/21
DATE	2009/09/09