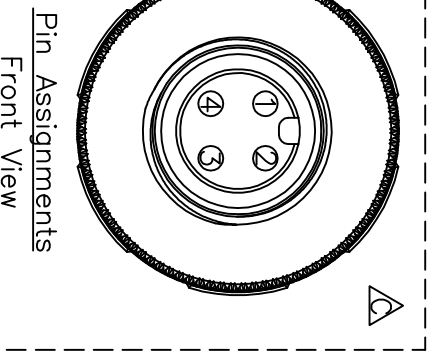
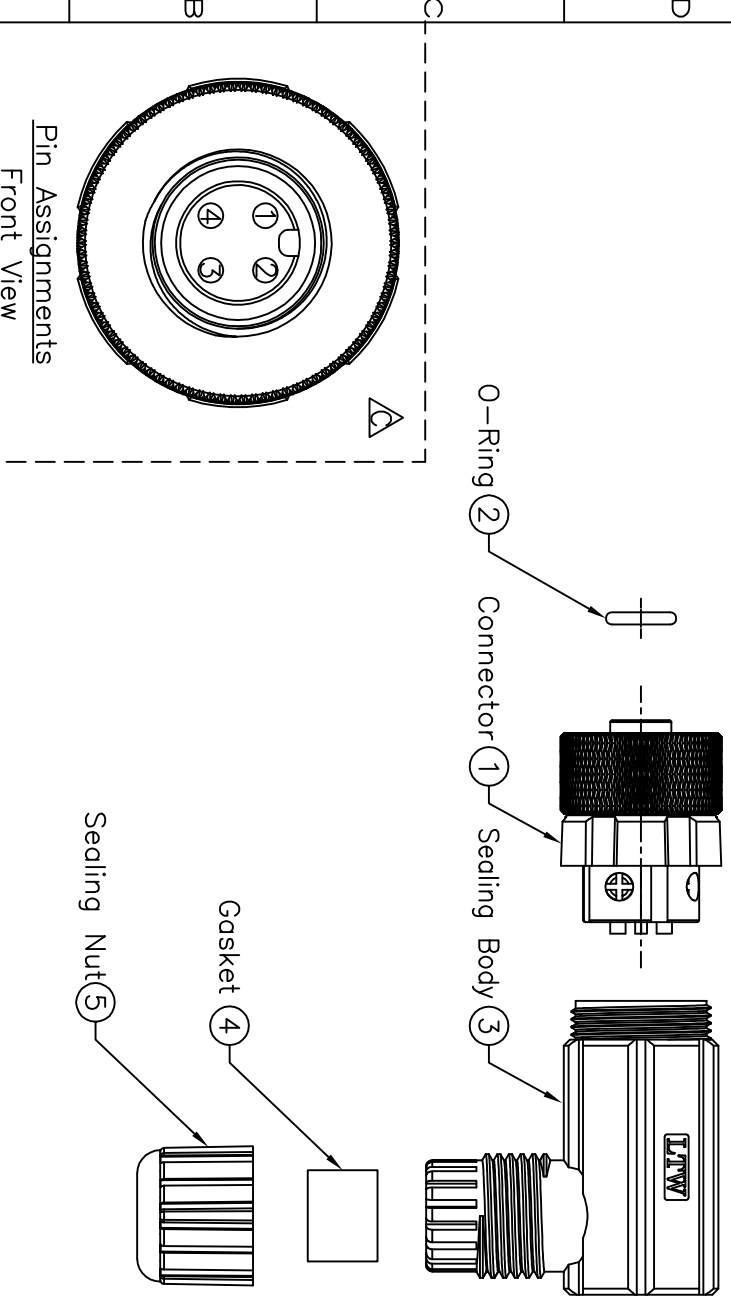
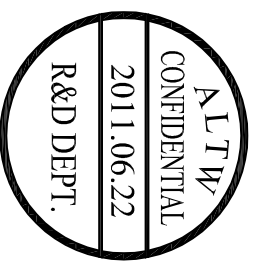
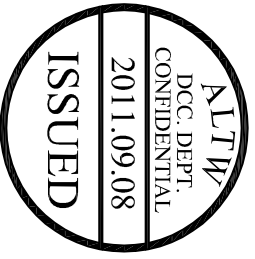
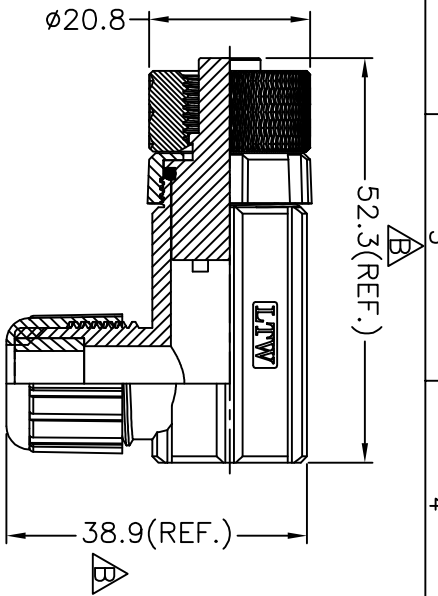
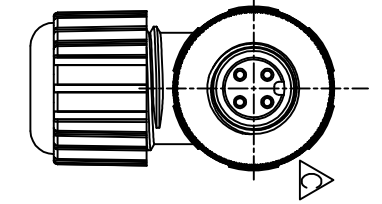


REV.	EGN. NO.	DATE	SIGN.	DESCRIPTION
C	IE3-890071	2008/08/12	Gao Ling	Change Connector Material
D	LE31130097	2011/03/03	Jiang Jun	Change Connector Material
E	LE31190024	2011/06/22	Tao-Cheng	Change Connector Material



Pin Assignments  
Front View

- Note:**
- \* @Important Dimensions.
  - \* Waterproof Rate: IP67
  - \* Connector: M-PPE 540Z, Black
  - \* Pin: Copper Alloy, Gold Plated
  - \* O-Ring 1: Viton, Green
  - \* O-Ring 2: EPDM, Black
  - \* Holder: Nylon+GF, Black
  - \* Clamp Ring: Nylon 66, Black
  - \* Gasket: EPDM, Black
  - \* Sealing Nut: Nylon 66, Black
  - \* Nut: Copper Alloy, Nickel Plated
  - \* Seals For Cable OD  $\phi$ 4.5mm~ $\phi$ 6.0mm
  - \* Temperature Range: -40°C~+85°C

UNIT: mm		TITLE	M12 Screw In Female Conn
TOLERANCE		SCALE	Free
.X		REV.	E
XX		SIZE	A4
XXX		SHEET	1 OF 1
ANGLES		⑩	Inspection Item

**Amphenol LTW**  
安費諾亮泰企業股份有限公司

ITEM NO	12-04BFFB-SR7001
DWG NO	12-04BFFB-SR7001
CUSTOMER	ALTW

DRAWN BY	Tao-Cheng	DATE	2011/06/22
CHECKED BY	Micky	DATE	2011/06/22
APPROVED BY	Victor	DATE	2011/06/22