

Recommended P.C.B Layout

NOTES:

*Material

Body: LCP Or PA9T, UL 94V-0 Rated; Color: Black.
 Contact: Phosphor Bronze.
 Plating: Gold Plating Over Nickel on Contact Area;

*Electrical Specification

Operation Voltage: AC 250V Max
 Current Rating: 0.5A Max
 Contact Resistance: 100mΩ max.
 Insulation Resistance: 1000M Min at 500V AC
 Dielectric Withstanding Voltage: 500V AC 1Min

*Environmental

Operating Temperature: -25°C~85°C

PRODUCT NUMBER:

115E-A E X 0-R01
 1 2 3 4

1.Type

A:6Pin

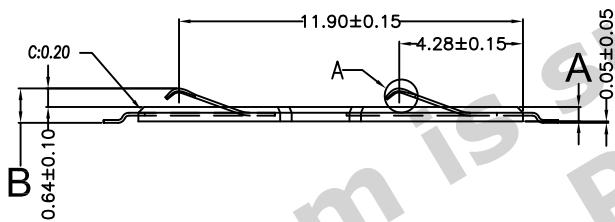
2.Contact Plating

E:15u"Gold Plating

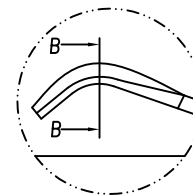
3.Height DIM A

A:0.5mm
 B:0.7mm
 C:0.9mm

4.RoHS



SECTION B-B
 SCALE 5:1



VIEW A(5:1)

P/N	A	B
115E-AEA0-R01	0.5	1.19
115E-AEB0-R01	0.7	1.39
115E-AEC0-R01	0.9	1.59

UNLESS OTHERWISE SPECIFIED TOLERANCE		
ANGLES	ANG.	±5°
LINEAR	0.	±0.3
	0.0	±0.25
	0.00	±0.20
SCALE	AS SHOWN	UNIT: mm
DRAWN	Willis	2012/08/03
CHECKED	Angel	2012/08/03
APPROVED	Ken	2012/08/03



www.attend.com.tw

DRAWN NAME:
 SIM Card Socket Slim Type
 6Pin Pitch2.54 SMT

PRODUCT NO. 115E-AE X 0-R01

FILE NAME 115E-AEX0-R01_B_2

REV.	DESCRIPTION	DATE	REV.	DESCRIPTION	DATE
1			4		
2			5		
3			6		

SIZE	A4
REV.	1.0

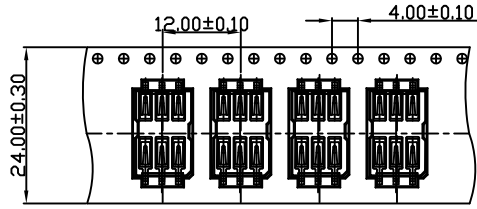
A

A

1

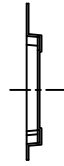
10

EMPTY 20 POCKET CARRIER
IN FORESIDE



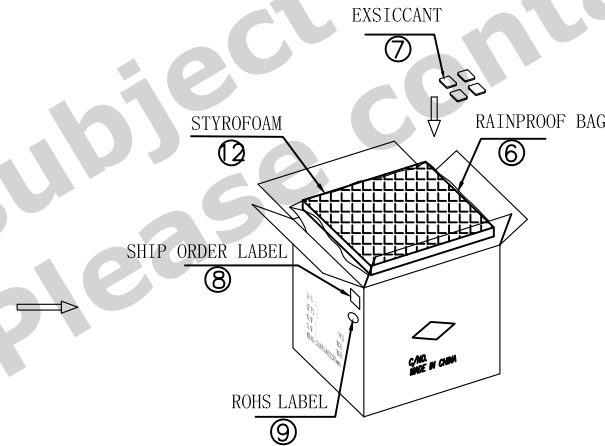
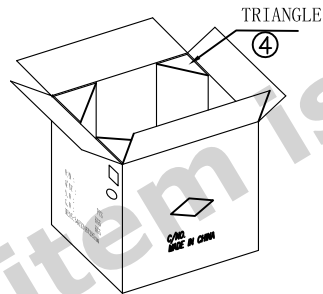
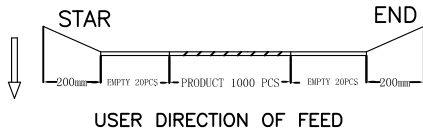
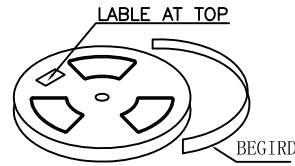
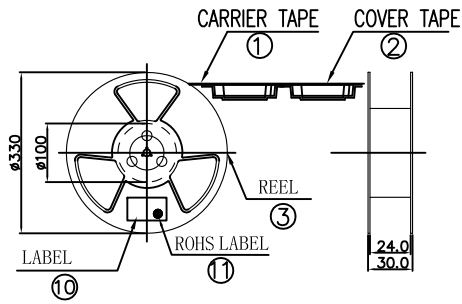
↓
TAPE RUNNING DIRECTION

PLACED 1000 POCKET
IN MIDDLESIDE



NOTE:

1. 1000PCS/REEL
2. 10 REEL/CARTON, 10000PCS/CARTON;
3. GROSS WEIGHT: 1.10KG, NET WEIGHT: 6.85KG



12	STYROFOAM	2	PCS	340X340X20
11	ROHS LABEL	10	PCS	15.7
10	LABEL	10	PCS	
9	ROHS LABEL	1	PCS	40.0
8	SHIP ORDER LABEL	1	PCS	
7	EXSICCANT	4	BAG	
6	RAINPROOF BAG	1	PCS	L800*W750*H0.07mm
5	EXTERIOR CARTON	1	PCS	K=K,L346*W346*H352mm
4	TRIANGLE	4	PCS	50*50*275mm
3	REEL	10	SET	φ 330*100mm,W=30.0mm
2	COVER TAPE	1000	REEL	W=21.3mm,REEL
1	CARRIER TAPE	10	CARTON	W=24.0mm,T=0.40mm,REEL
NO.	MATERIAL	REEL	CARTON	UNIT
		QUANTITY		REMARK

UNLESS OTHERWISE SPECIFIED TOLERANCE		
ANGLES	ANG.	±5°
LINEAR	0.	±0.3
	0.0	±0.25
	0.00	±0.20
SCALE	AS SHOWN	UNIT: mm
DRAWN	Willis	2012/08/03
CHECKED	Angel	2012/08/03
APPROVED	Ken	2012/08/03



www.attend.com.tw

DRAWN NAME:
SIM Card Socket Slim Type
6Pin Pitch2.54 SMT

PRODUCT NO. 115E-AE X 0-R01

REV.	DESCRIPTION	DATE	REV.	DESCRIPTION	DATE
1			4		
2			5		
3			6		
			7		

SIZE	A4	REV.	1.0	FILE NAME	115E-AEX0-R01_D_2
------	----	------	-----	-----------	-------------------

- △ Revise:
- △ Revise:
- △ Revise: