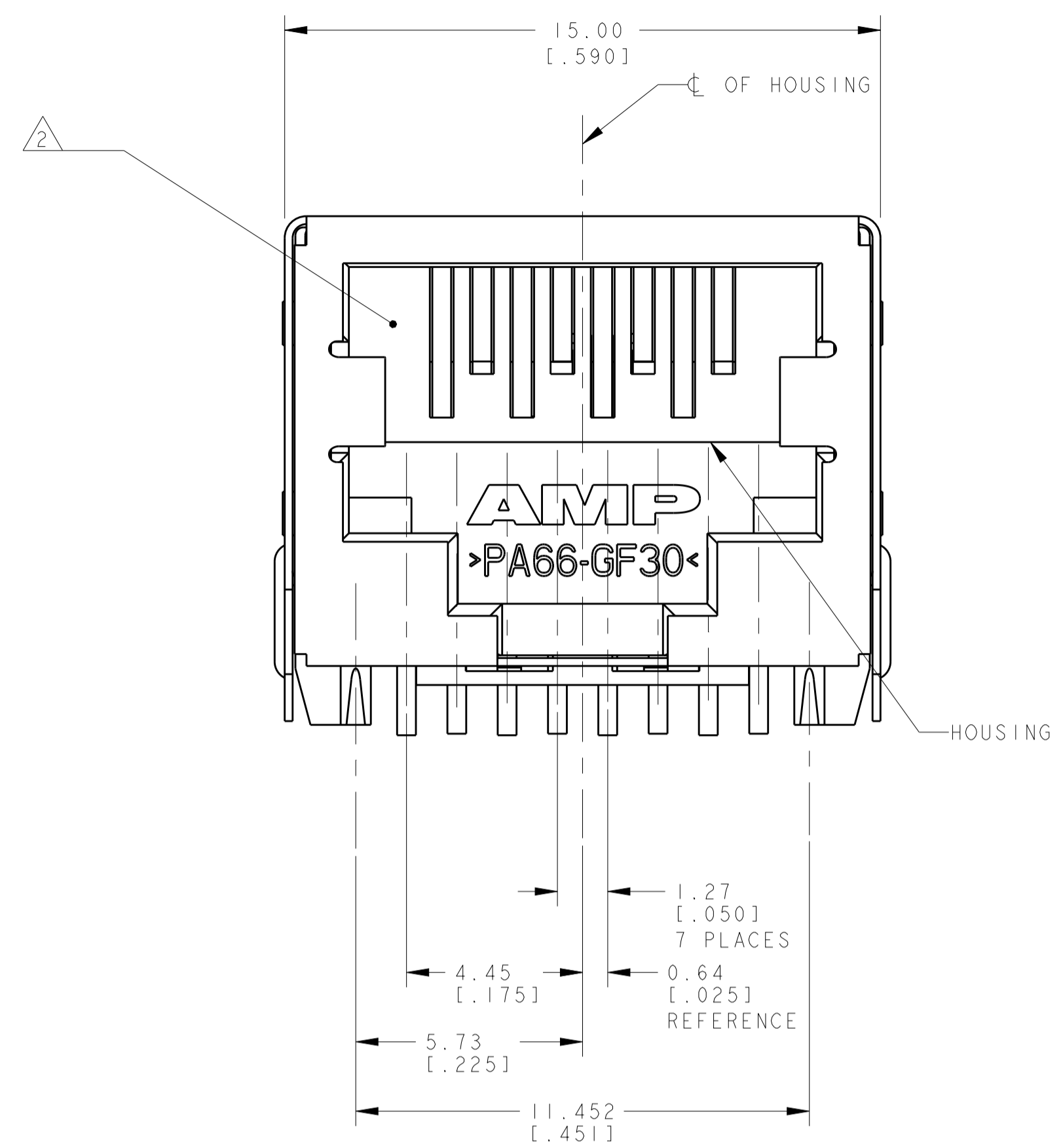
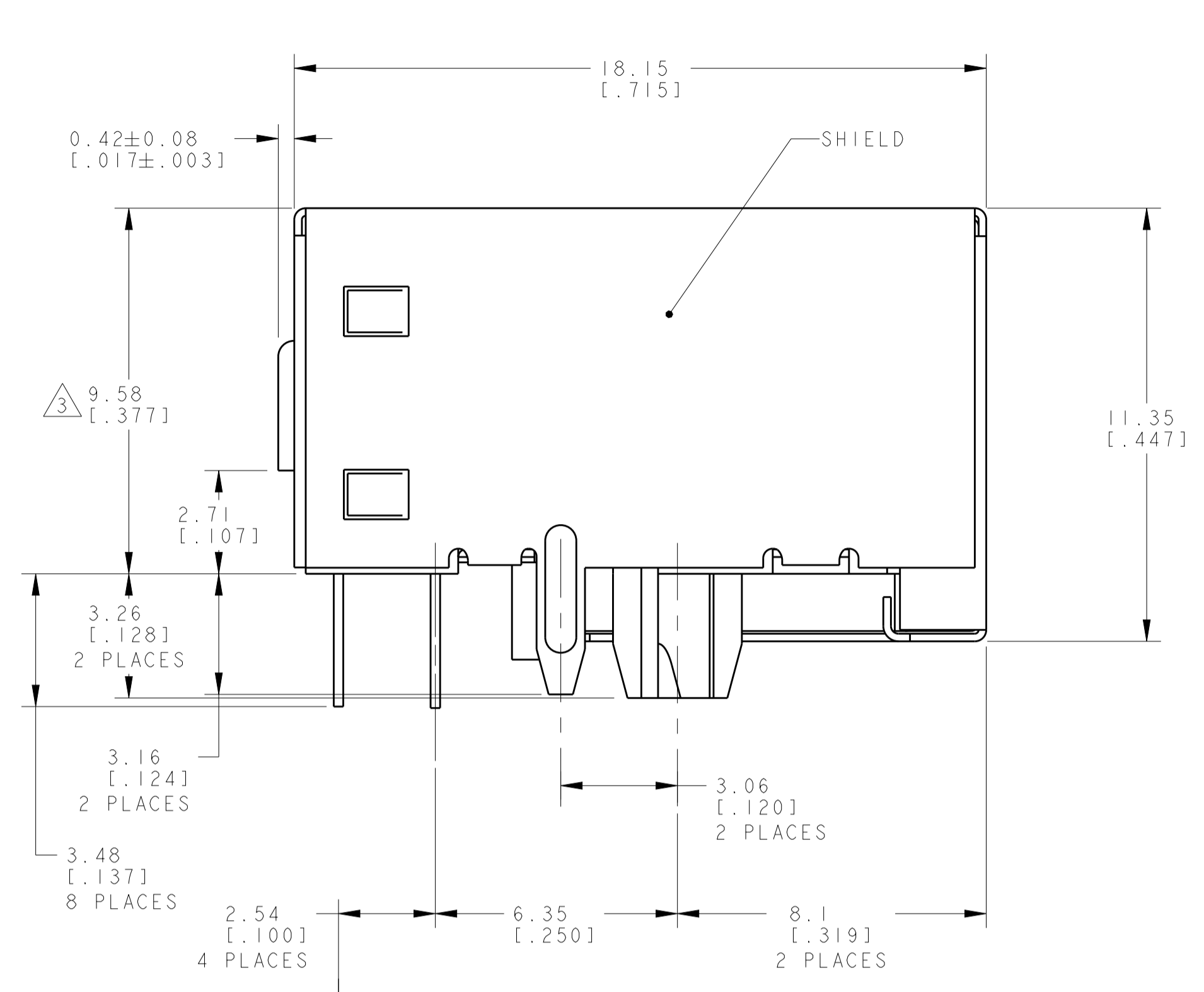
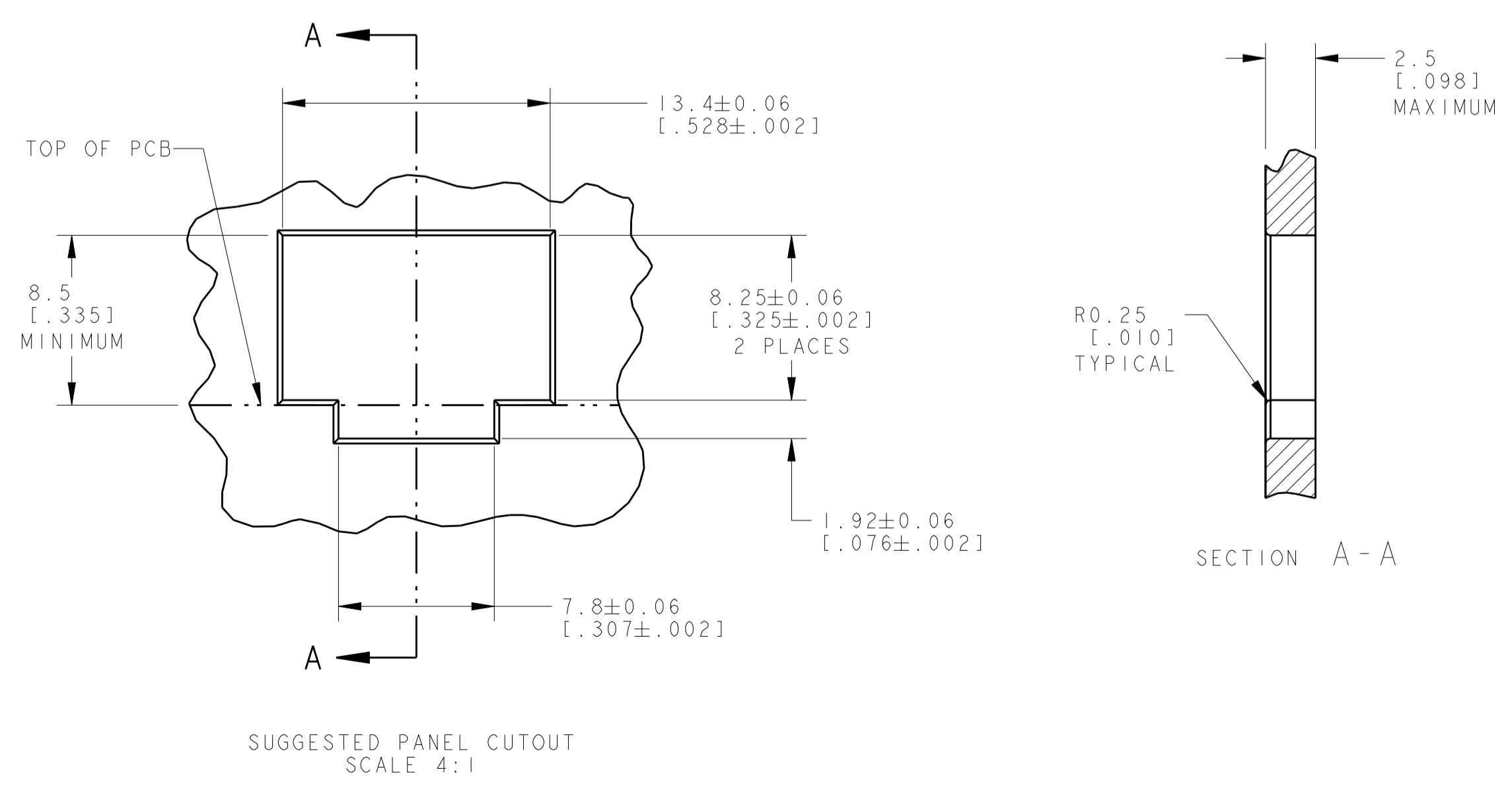
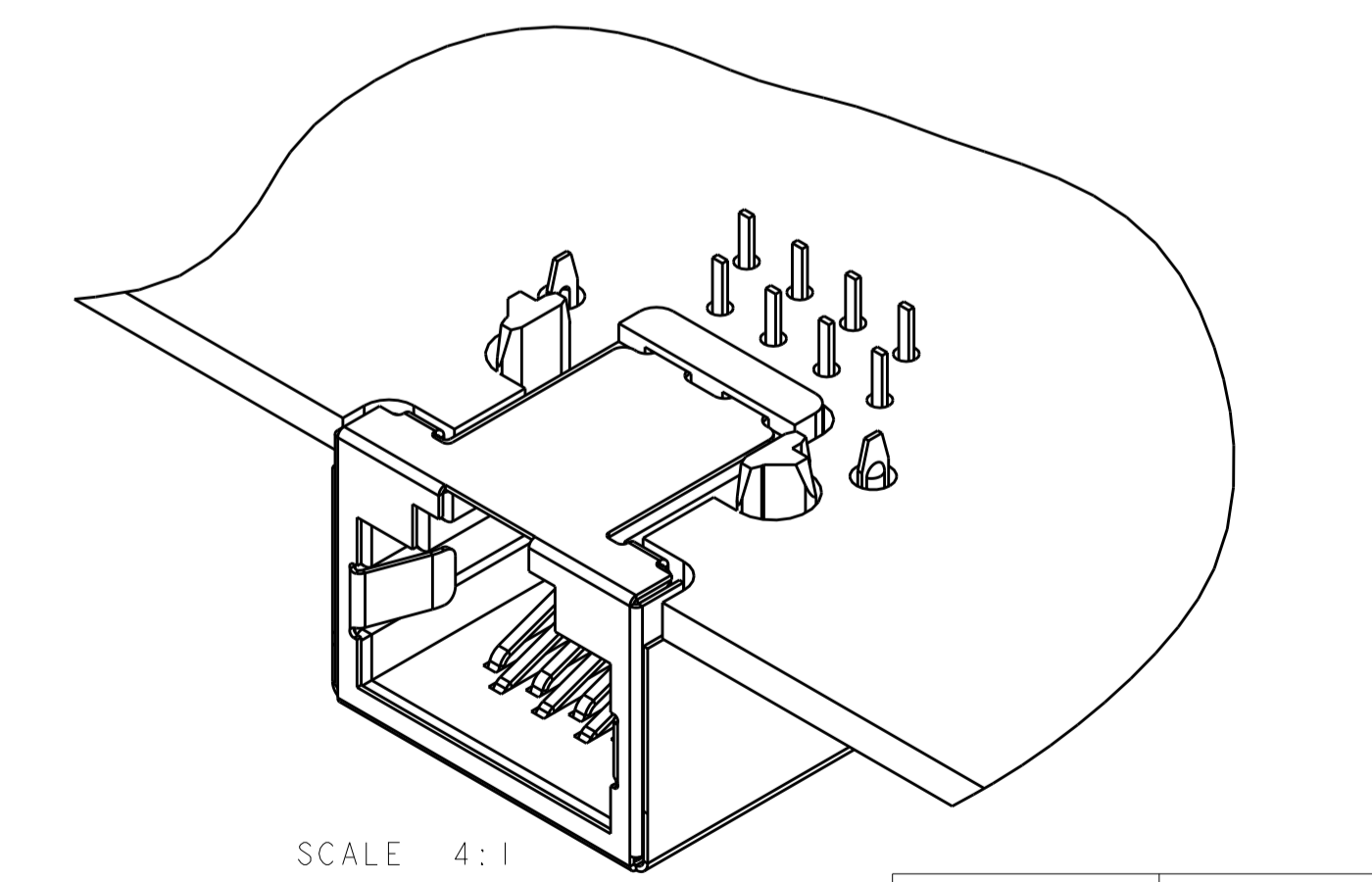
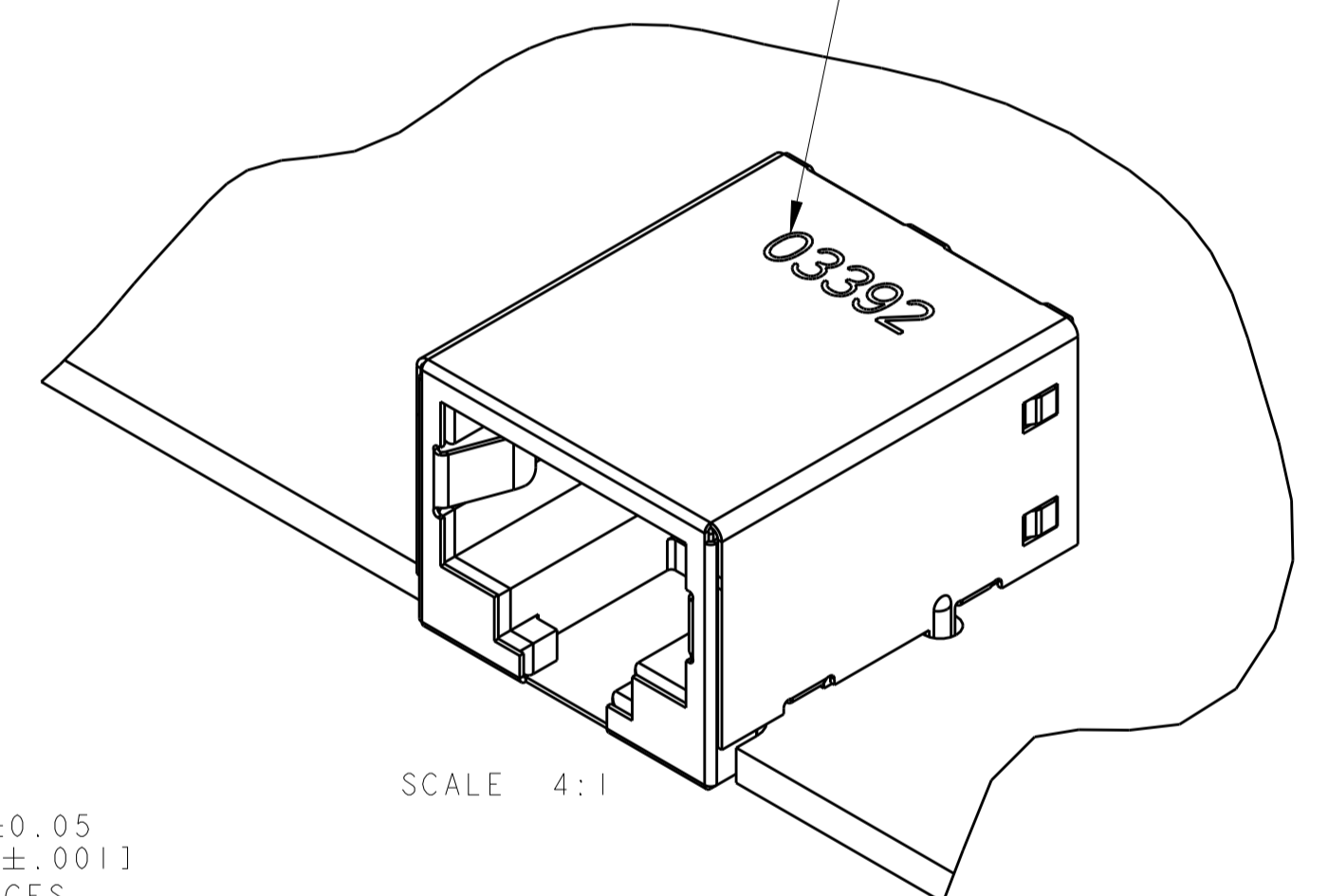
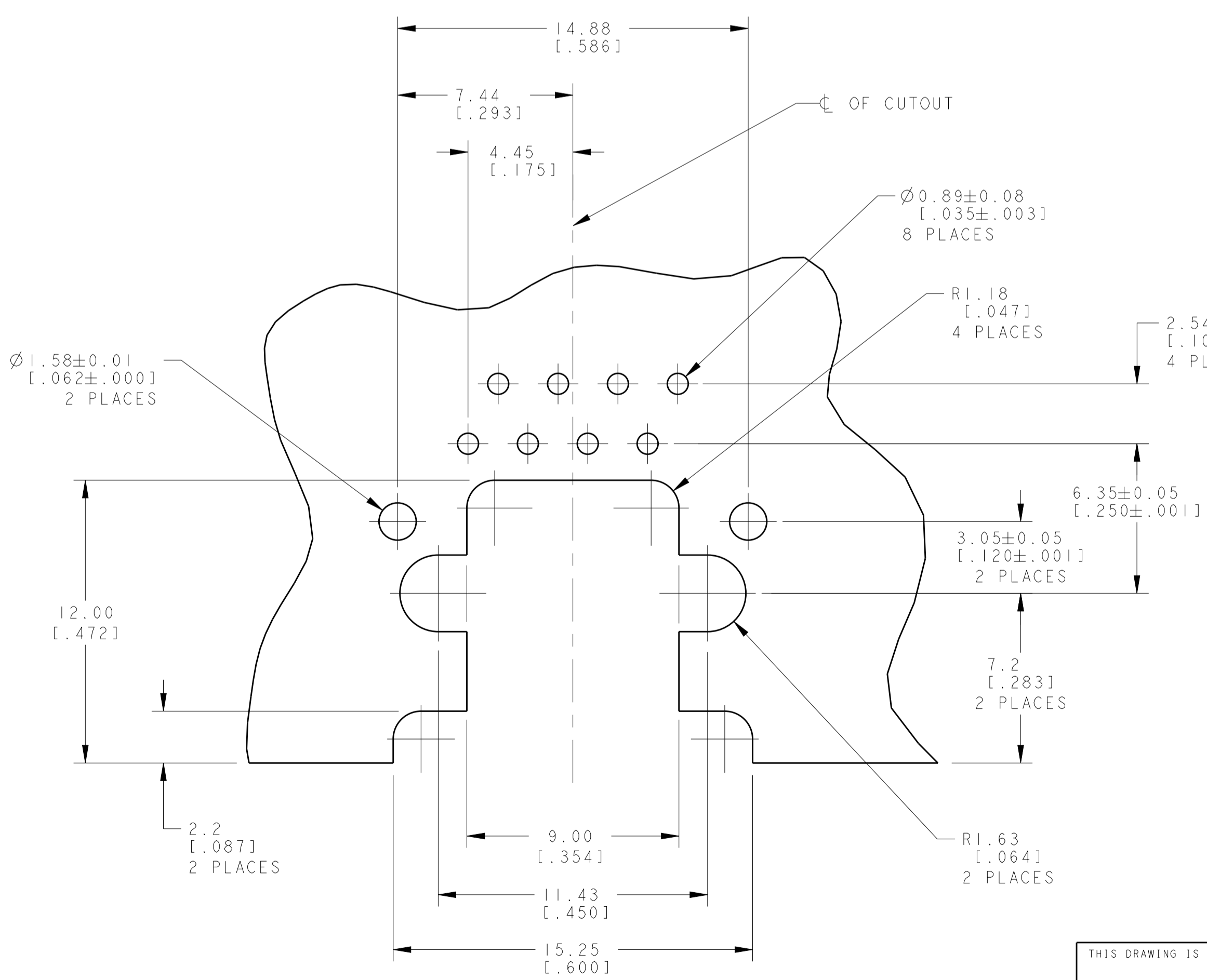
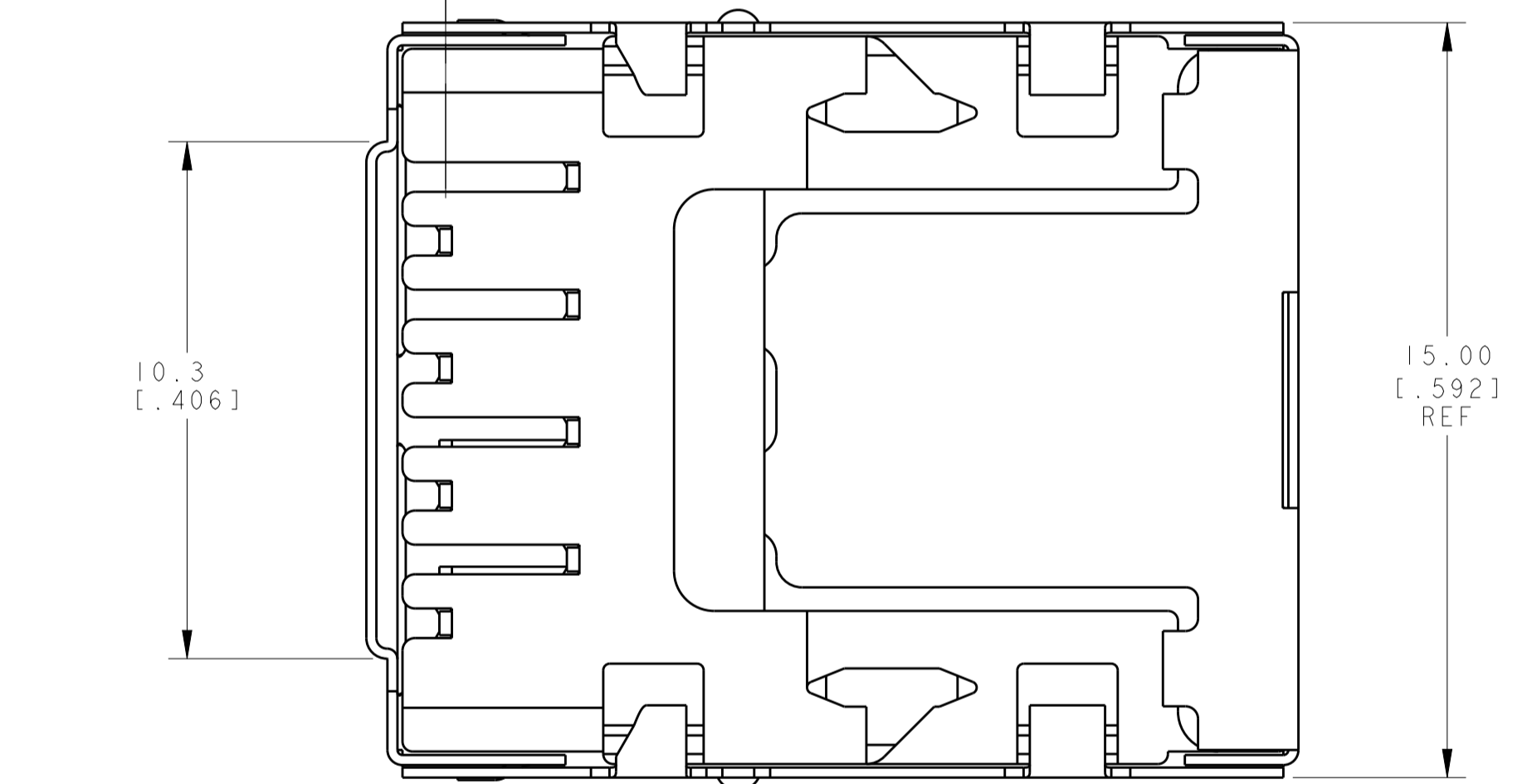


LOC		DIST		REVISIONS			
AA	22	P	LTN	DESCRIPTION	DATE	DWN	APVD
		N1		REVISED PER ECO-11-005027	12MAY2011	RK	HMR
		P		REVISED PER ECO-14-015233	27APR2015	LL	SH



- △ MATERIAL: HOUSING - HIGH TEMPERATURE NYLON, BLACK, UL 94V-0, TERMINALS - 0.25[.01] THICK PHOSPHOR BRONZE PLATED WITH 3.81um[.000150] MINIMUM THICK BRIGHT TIN-LEAD IN SOLDER AREA AREA, 1.27um[.000050] MINIMUM GOLD IN LOCALIZED PLATE AREA. ENTIRE TERMINAL PLATED WITH 1.27um[.000050] MINIMUM THICK NICKEL. SHIELD - 0.1[.0039] MIN THICK COPPER ZINC ALLOY, PREPLATED WITH 2.0-4.0um [0.00079-.000157] THICK TIN OVER 1.27 um [0.00050] MIN THICK NICKEL
- △ JACK CAVITY CONFORMS TO FCC RULES AND REGULATIONS PART 68, SUBPART F.
- △ THIS DIMENSION REPRESENTS THE TOTAL HEIGHT OF THE CONNECTOR FROM THE TOP OF THE PC BOARD.
- 4. PACKAGED 66 ASSEMBLIES PER PVC TRAY, 396 PER BOX.
- 5. DIELECTRIC WITHSTANDING VOLTAGE BETWEEN SHIELD AND TERMINAL IS 1500 VAC
- △ MANUFACTURING DATE CODE:
ORIENTED AND LOCATED APPROXIMATELY AS SHOWN. LASER PRINTING. TEXT HEIGHT APPROXIMATELY 2MM.
FIRST 2 DIGITS = LAST 2 DIGITS OF YEAR
NEXT 2 DIGITS = MANUFACTURING WORK WEEK
LAST DIGIT = DAY OF WEEK WITH SUNDAY = 1
- △ MATERIAL: HOUSING - HIGH TEMPERATURE NYLON, BLACK, UL 94V-0, TERMINALS - 0.25[.01] THICK PHOSPHOR BRONZE PLATED WITH 3.81um[.000150] MINIMUM THICK MATTE TIN IN SOLDER AREA AREA, 1.27um[.000050] MINIMUM GOLD IN LOCALIZED PLATE AREA. ENTIRE TERMINAL PLATED WITH 1.27um[.000050] MINIMUM THICK NICKEL. SHIELD - 0.1[.0039] MIN THICK COPPER ZINC ALLOY, PREPLATED WITH 2.0-4.0um [0.00079-.000157] THICK TIN OVER 1.27 um [0.00050] MIN THICK NICKEL



THIS DRAWING IS A CONTROLLED DOCUMENT.		DWN: J. AHERON 07APR99	TE Connectivity
DIMENSIONS: mm [INCHES]		CHK: D. KEMPKA 07APR99	
TOLERANCES UNLESS OTHERWISE SPECIFIED:		APVD: D. KEMPKA 07APR99	NAME: MODULAR JACK ASSEMBLY, 8 POSITION, SHIELDED, 10mm WITHOUT PANEL TABS
0 PLC ± 1 PLC ± 2 PLC ±0.131(.005) 3 PLC ± 4 PLC ± ANGLES ±		PRODUCT SPEC: 108-1163	
MATERIAL: SEE P/N TABLE		APPLICATION SPEC: 114-2048	SIZE: CAGE CODE DRAWING NO: A100779
FINISH: SEE P/N TABLE		WEIGHT: 3.49 grams	RESTRICTED TO: -
CUSTOMER DRAWING		SCALE: 8:1	SHEET: 1 OF 1 REV: P