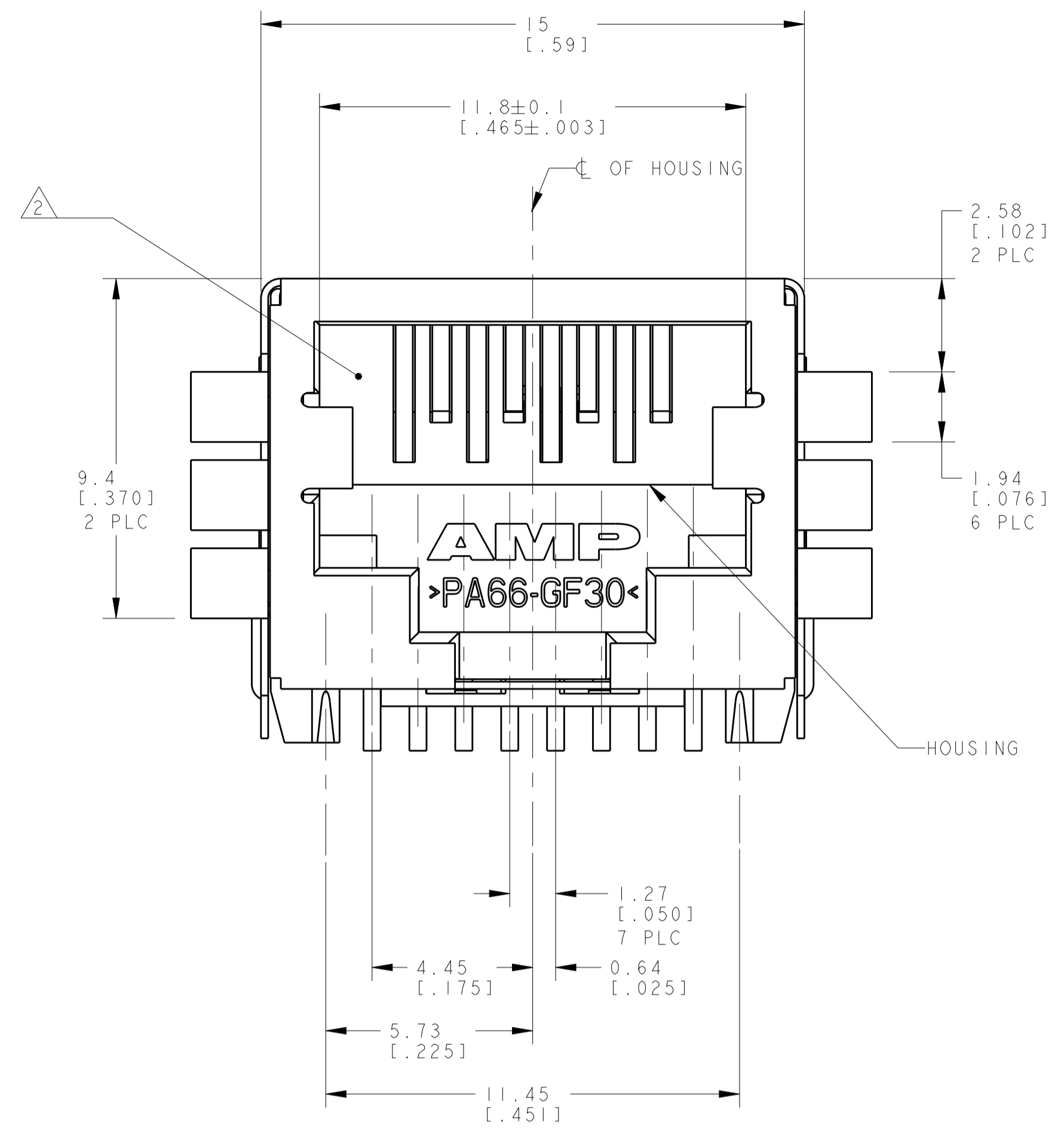
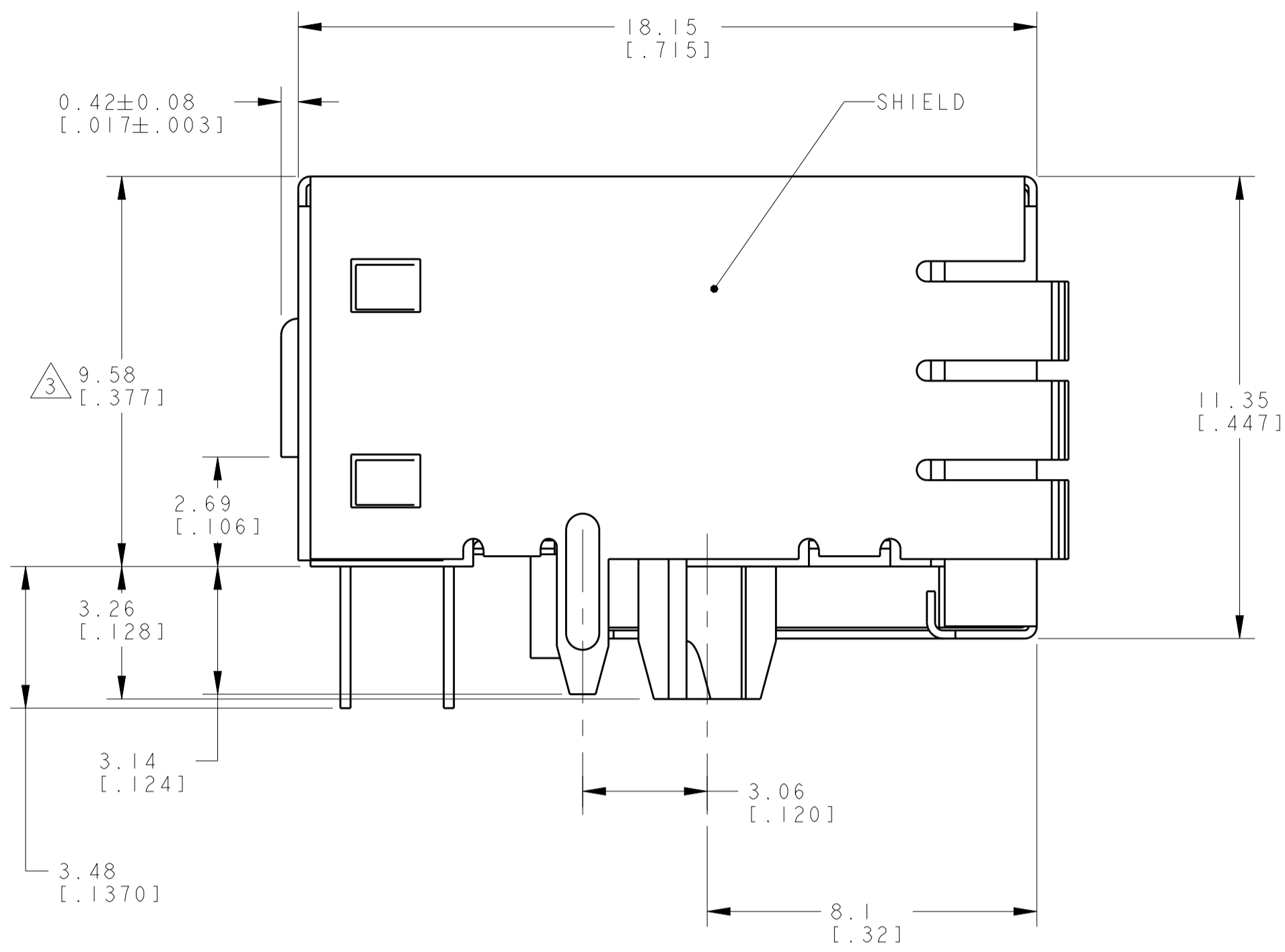
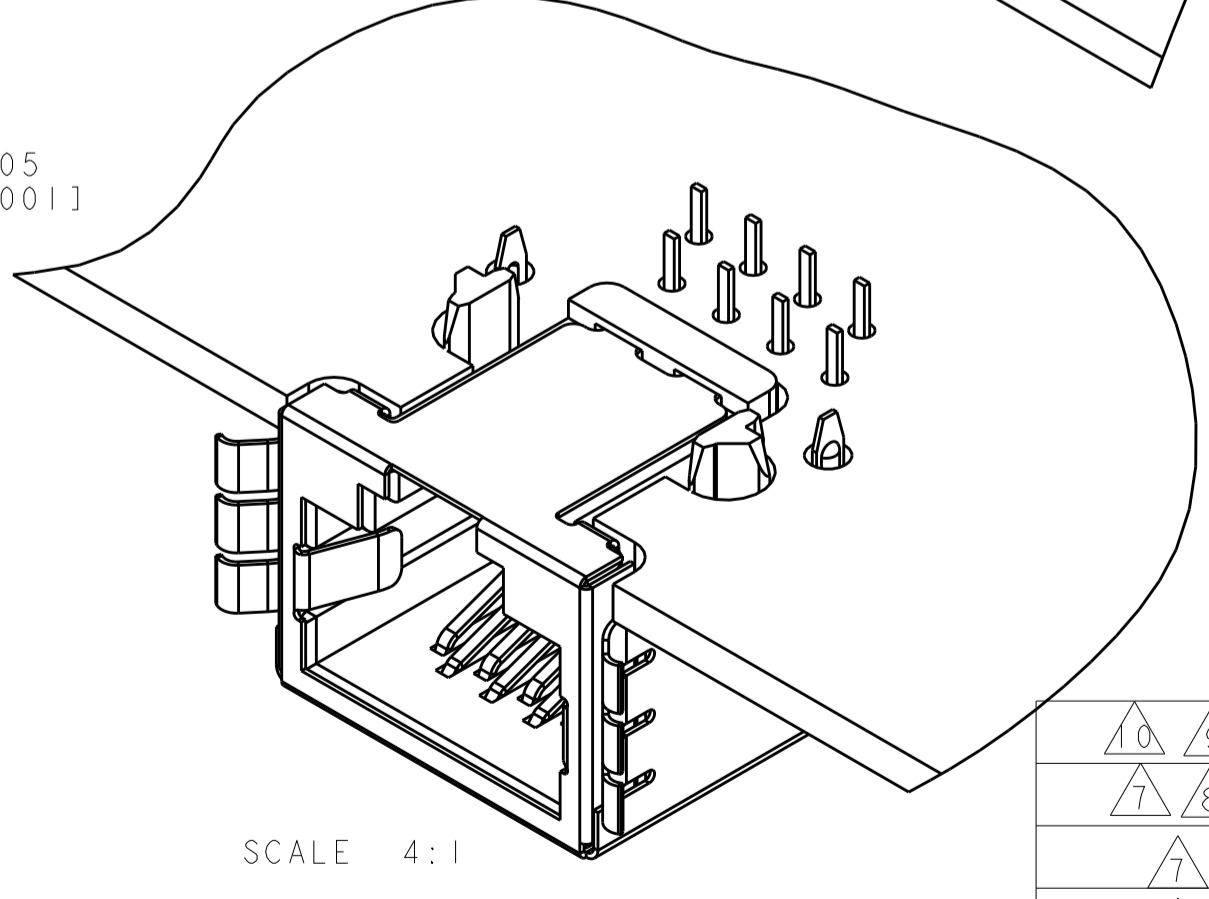
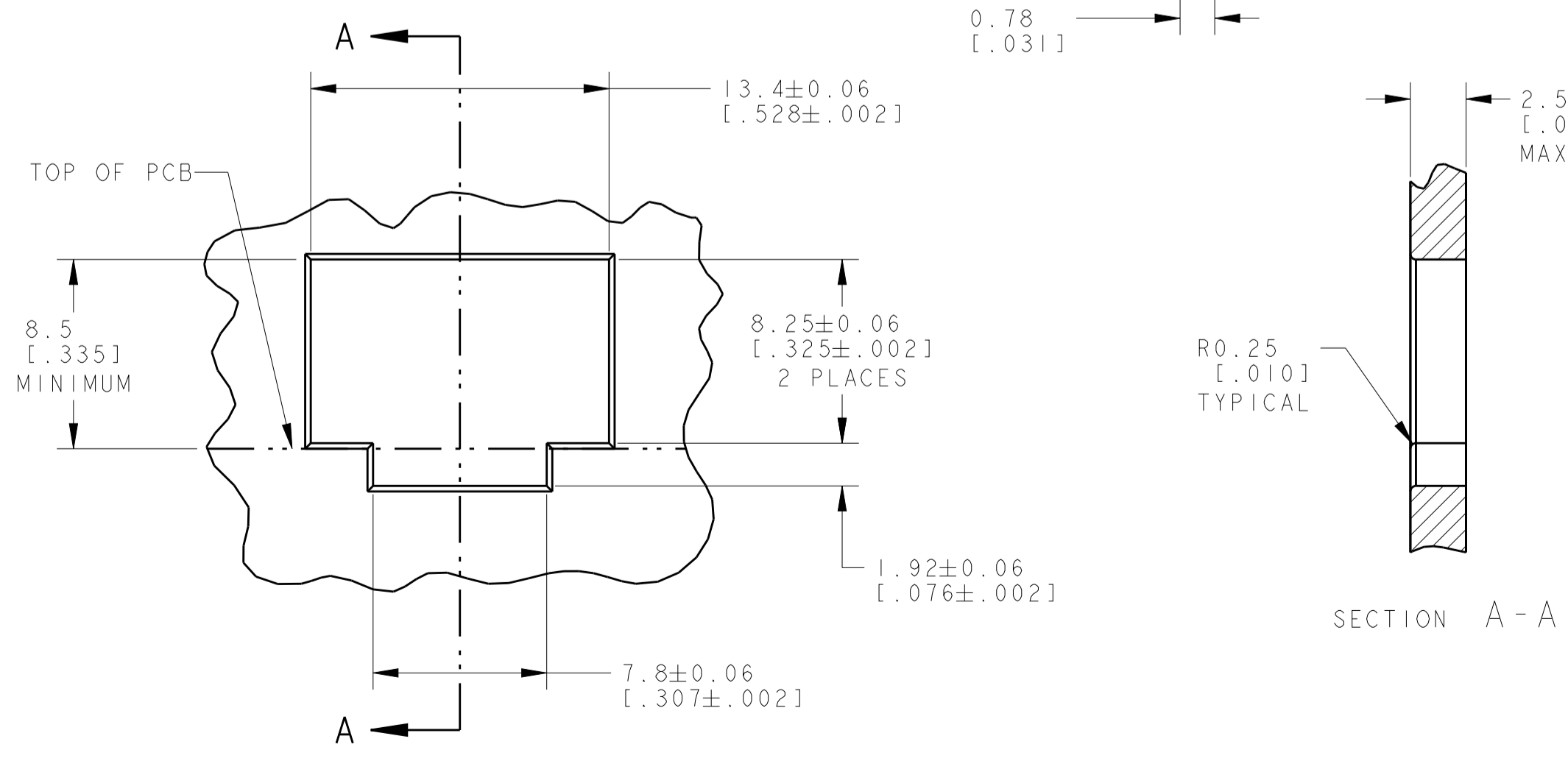
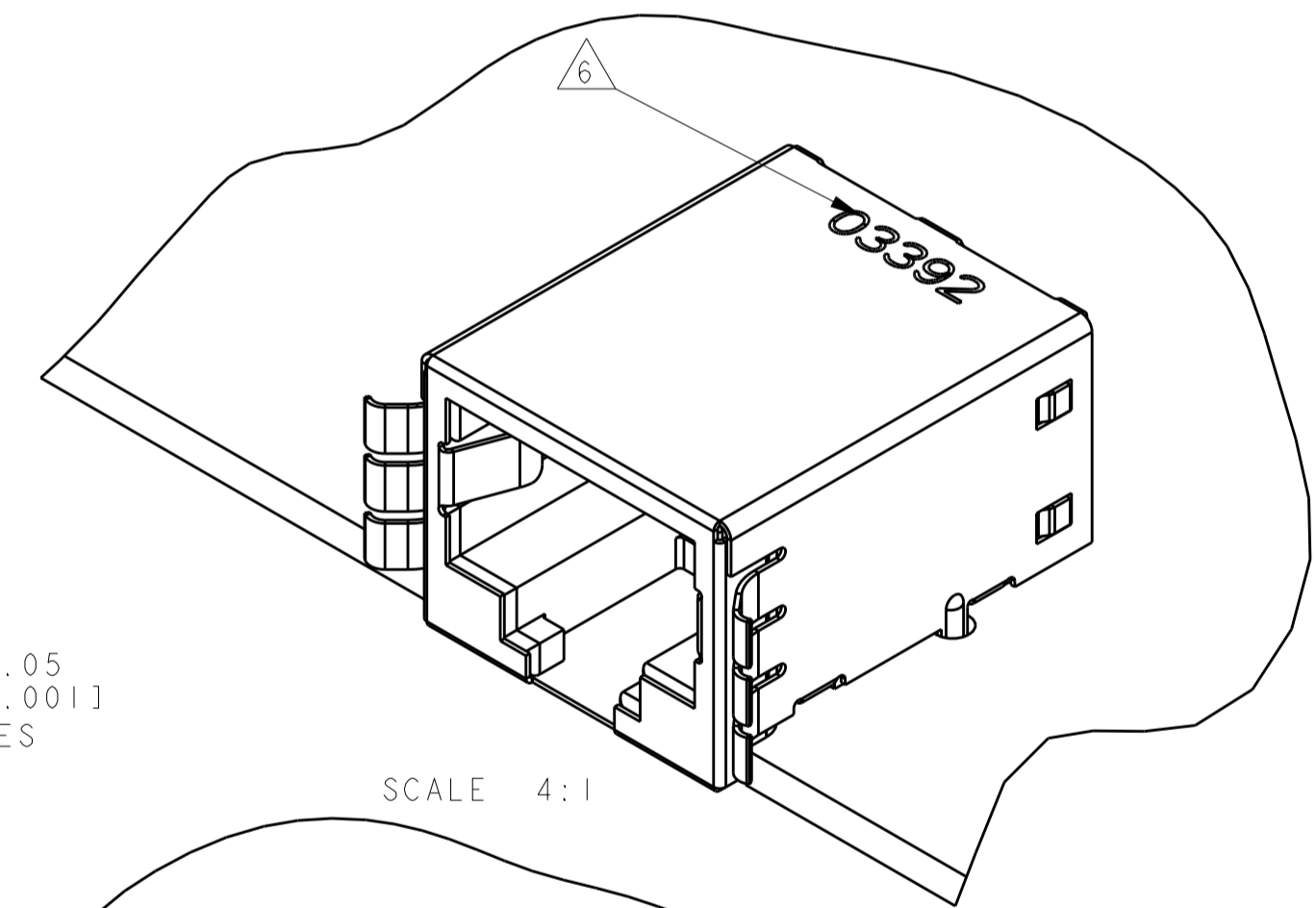
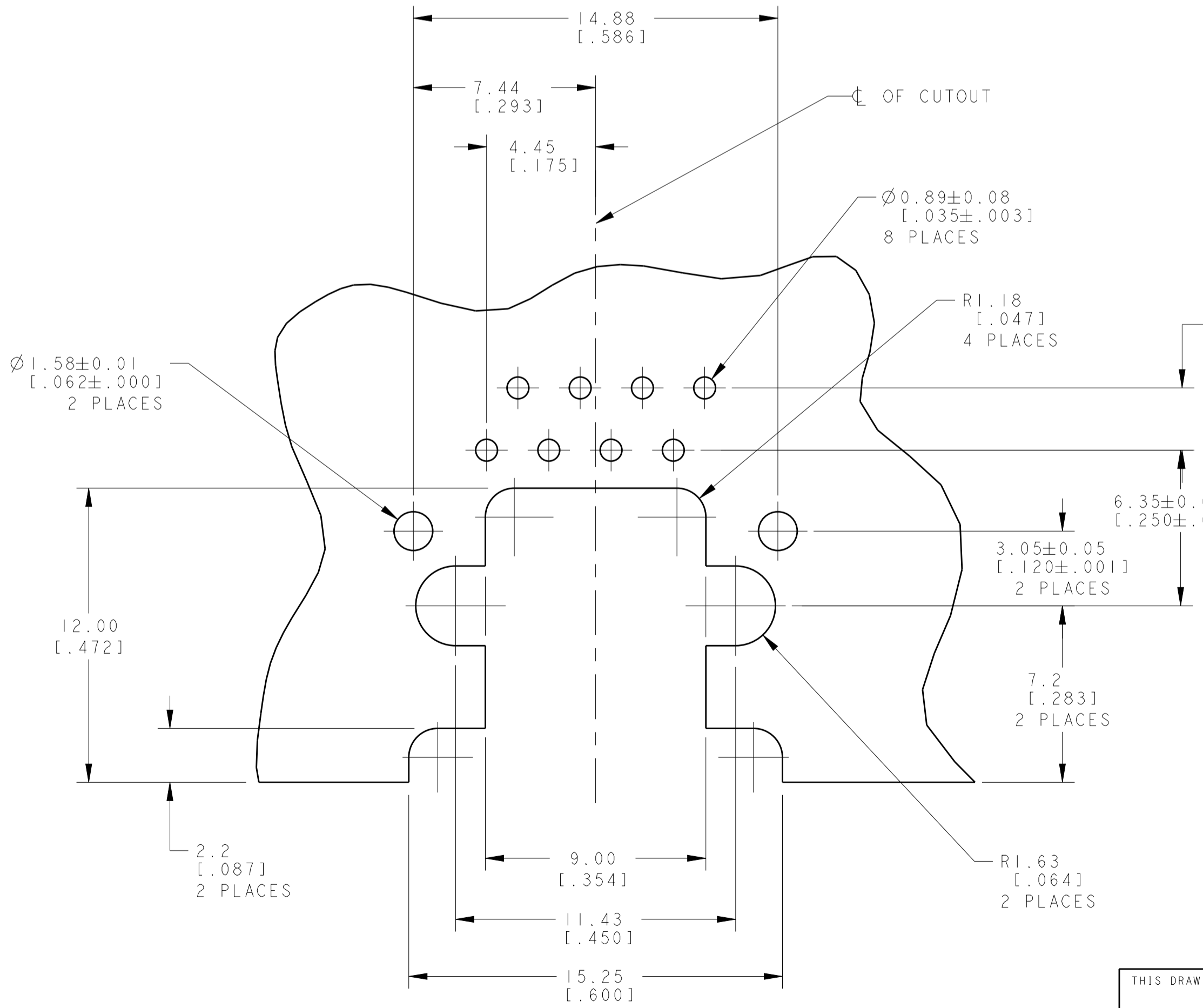
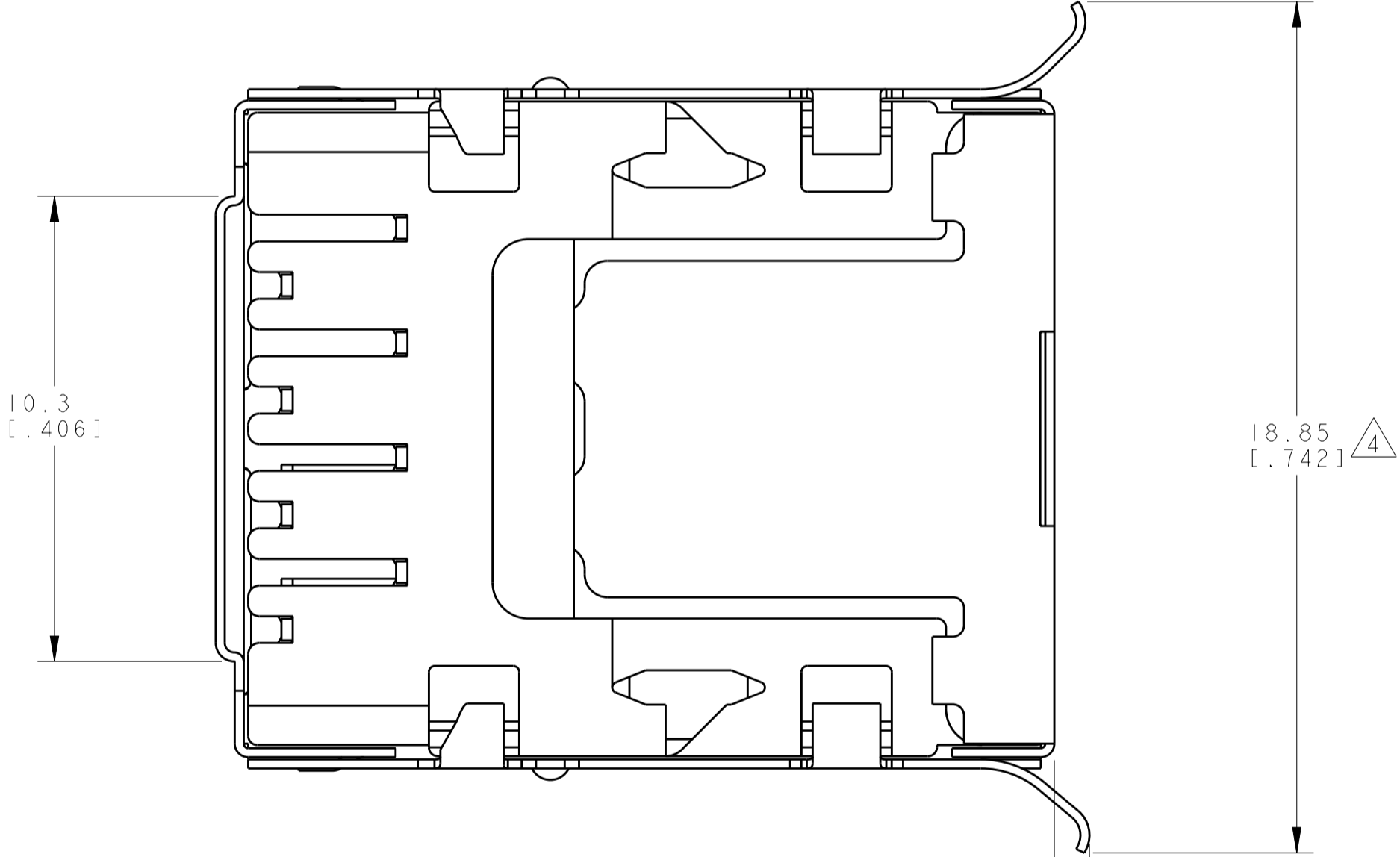


LOC	DIST	REV	DATE	BY	APPV
AA	22	P	13FEB2012	JJ	AC
		R	24JAN2014	LL	SH
		S	27JAN2014	LL	SH



- 1 MATERIAL: HOUSING - HIGH TEMPERATURE NYLON, BLACK, UL 94V-0, TERMINALS - 0.25[.010] THICK PHOSPHOR BRONZE PLATED WITH 3.81µm[.000150] MINIMUM THICK BRIGHT TIN-LEAD IN SOLDER AREA, 1.27µm[.000050] MINIMUM GOLD IN LOCALIZED PLATE AREA. ENTIRE TERMINAL PLATED WITH 1.27µm[.000050] MINIMUM THICK NICKEL. SHIELD - 0.1[.0039] MIN THICK COPPER ZINC ALLOY, PREPLATED WITH 2.0-4.0µm[.000079-.000157] THICK TIN OVER 1.27µm[.000050] MIN THICK NICKEL.
- 2 JACK CAVITY CONFORMS TO FCC RULES AND REGULATIONS PART 68, SUBPART F.
- 3 THIS DIMENSION REPRESENTS THE TOTAL HEIGHT OF THE CONNECTOR FROM THE TOP OF THE PC BOARD.
- 4 THIS DIMENSION HAS A MAXIMUM VALUE OF 20.50[.807] WHEN JACK IS INSTALLED BEHIND PANEL.
- 5. PACKAGED 66 ASSEMBLIES PER PVC TRAY, 396 PER BOX.
- 6 MANUFACTURING DATE CODE: ORIENTED AND LOCATED APPROXIMATELY AS SHOWN. BLACK INK STAMP. TEXT HEIGHT APPROXIMATELY 2MM. FIRST 2 DIGITS = LAST 2 DIGITS OF YEAR. NEXT 2 DIGITS = MANUFACTURING WORK WEEK. LAST DIGIT = DAY OF WEEK WITH SUNDAY = 1.
- 7 MATERIAL: HOUSING - HIGH TEMPERATURE NYLON, BLACK, UL 94V-0, TERMINALS - 0.25[.010] THICK PHOSPHOR BRONZE PLATED WITH 3.81µm[.000150] MINIMUM THICK MATTE TIN IN SOLDER AREA, 1.27µm[.000050] MINIMUM GOLD IN LOCALIZED PLATE AREA. ENTIRE TERMINAL PLATED WITH 1.27µm[.000050] MINIMUM THICK NICKEL. SHIELD - 0.1[.0039] MIN THICK COPPER ZINC ALLOY, PREPLATED WITH 2.0-4.0µm[.000079-.000157] THICK TIN OVER 1.27µm[.000050] MIN THICK NICKEL.
- 8 PACKED WITH TAPE AND REEL PACKAGE.
- 9 MATERIAL: SHIELD - 0.1[.0039] MIN THICK COPPER ZINC ALLOY, PREPLATED WITH 1.27µm[.000050] MIN THICK NICKEL, PCB GROUND TABS DIPPED WITH 2.03µm[.000080] MIN TIN. OTHER COMPONENT: AS SAME AS 7.
- 10. PACKED WITH DRY PACKING.



REV	DESCRIPTION	DATE	BY	APPV
10				
9				
8				
7				
6				

THIS DRAWING IS A CONTROLLED DOCUMENT.

DIMENSIONS:	TOLERANCES UNLESS OTHERWISE SPECIFIED:	OWN: J. AHERON 11NOV98	CHK: D. KEMPKA 11NOV98	APVD: D. KEMPKA 11NOV98	NAME: MODULAR JACK ASSEMBLY, 8 POSITION, SHIELDED, 10mm
mm [INCHES]	0 PLC ± 2 PLC ±0.131(.005) 3 PLC ± 4 PLC ±	PRODUCT SPEC: 108-1163	APPLICATION SPEC: 114-2048	WEIGHT: 3.49 grams	SIZE: CAGE CODE DRAWING NO: A100779
MATERIAL: SEE P/N TABLE	FINISH: SEE P/N TABLE	CUSTOMER DRAWING	SCALE: 8:1	SHEET: 1 OF 1	REV: S

STE TE Connectivity