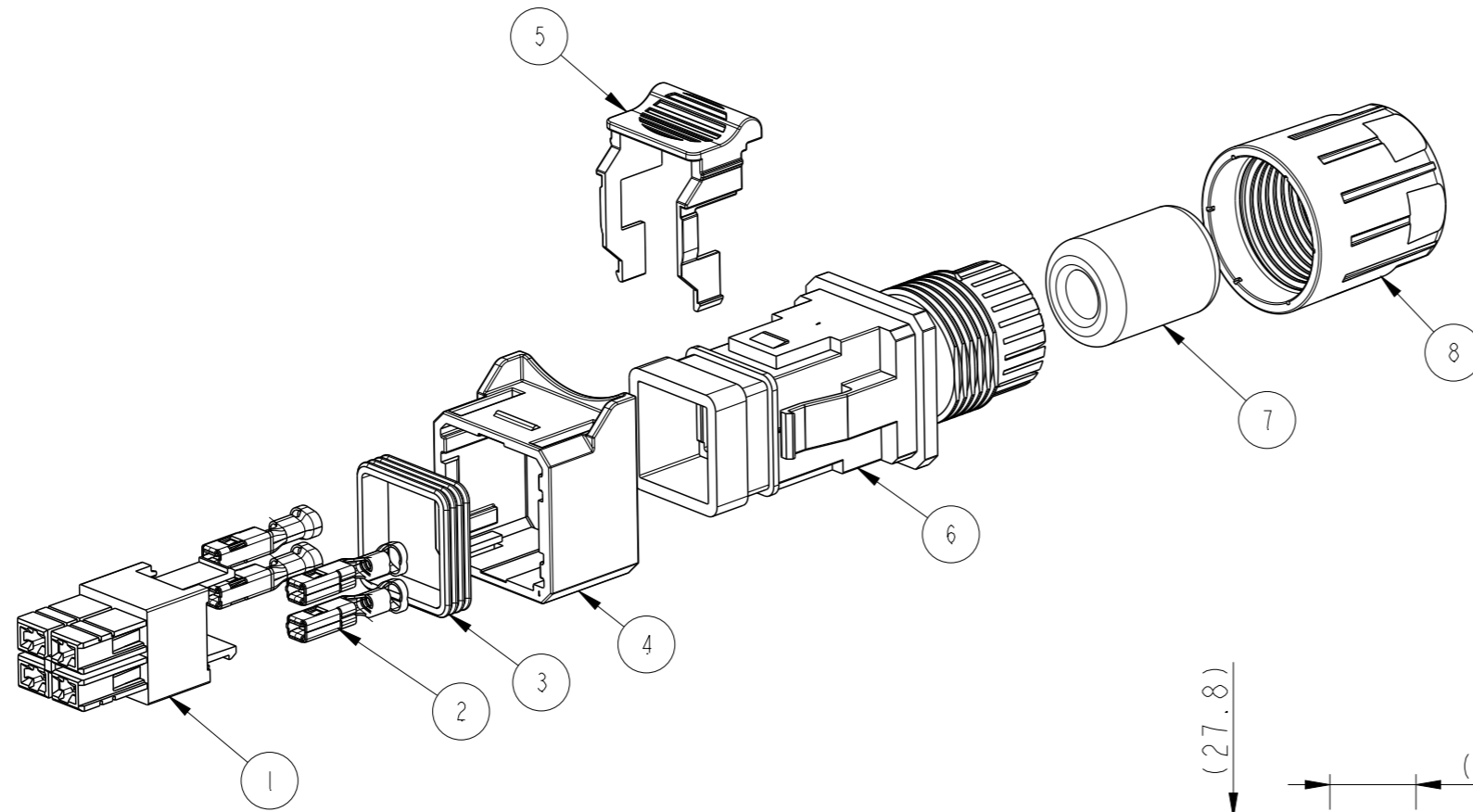
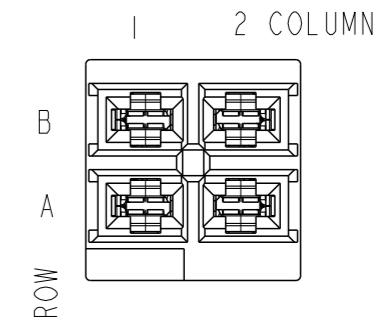


PART NUMBER
10143488-101LF

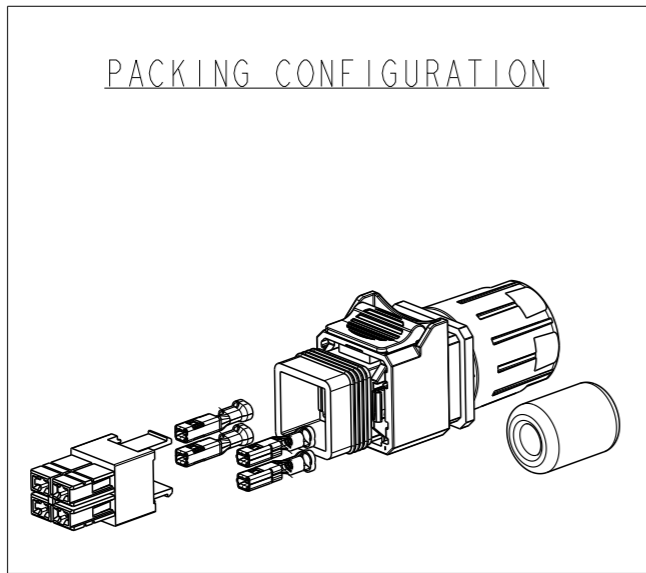
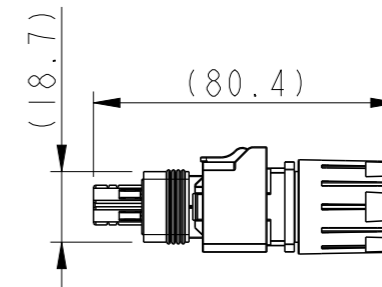
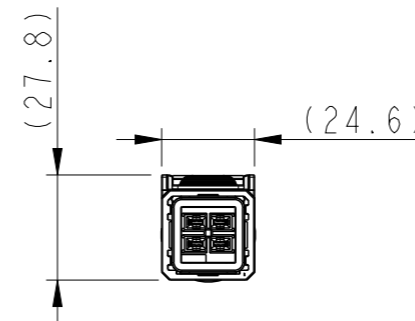
VERIO PLUG KIT, 4 POS POWER, CRIMP TYPE
TERMINALS, PITCH 26 MM

CONNECTOR FRONT VIEW



PLUG KIT P/N	ROW	COLUMN		WIRE DIA
		1	2	
10143488-101LF	B	X	X	1.5 SQ MM - 2.5 SQ MM (AWG16 - AWG14)
	A	X	X	
10143488-102LF	B	-	X	
	A	X	X	

"X" INDICATES CONTACT LOADED POSITION



SL NO.	DESCRIPTION	MATERIAL	QTY	REMARKS
1	CABLE CONNECTOR HOUSING	PBT	1	
2	CONTACTS	COPPER ALLOY	3/4	REFER TABLE 2 FOR NO. OF CONTACTS
3	SEAL	SILICONE	1	
4	SLIDE	PBT GF	1	
5	HOLDER	PBT GF	1	
6	SECONDARY LOCK	PBT GF	1	
7	GLAND	SILICONE	1	
8	NUT	PBT GF	1	

NOTES:

- ALL PARTS WILL BE SUPPLIED IN BULK PACKING
- PRODUCT SPEC - GS-12-1428
- APPLICATION SPEC - GS-14-XXXX

spec ref	dr	Jibin John	2017/09/26	projection	mm	size	A3	scale	3:10
tolerance std	eng	B T Varghese	2017/10/14			ecn no	-	rel level	Released
ISO 406 ISO 1101	chr	-	-						
surface	linear	0.X	±0.3			dwg no	10143488	rev	A
		0.XX	±0.13						
ISO 1302	angular	0°	±2°	cat. no.	-	Product - Customer Drw	sheet 1 of 1		