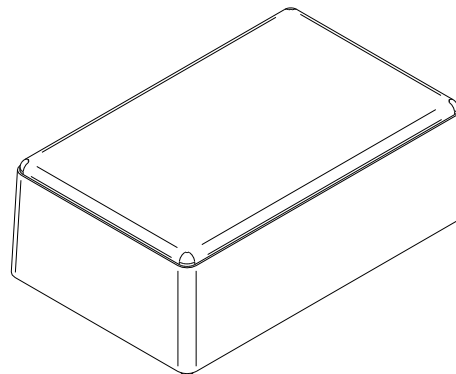
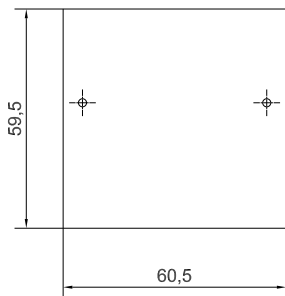


PCB MAX SIZE



	Denomination	10013-B	
	Part Number	10013-B	
	Rev. Index	Date	Scale
		24/11/2005	A2
Subject to technical modification without prior notice. Tipographical and other errors do not justify any claim for damages. All dimensions should be verified using an actual moulded part. This document contains proprietary information of TEKO S.p.a. and is tendered subject to the conditions that the information be retained in confidence not be reproduced or copied and not be used or incorporated in any product.			