

Schmalz Fixation Element

SFE 7 AL

Part no.:10.02.01.01464

<https://www.schmalz.com/10.02.01.01464>

Home > Vacuum Technology for Automation > Vacuum Components > Vacuum Generators > Ejector Modules > SFE 7 AL

Schmalz Fixation Element



Hole diameter: 7 mm

Width B: 19 mm

Height H: 22 mm

Length L: 37 mm

Thread G1: G1/8"-F

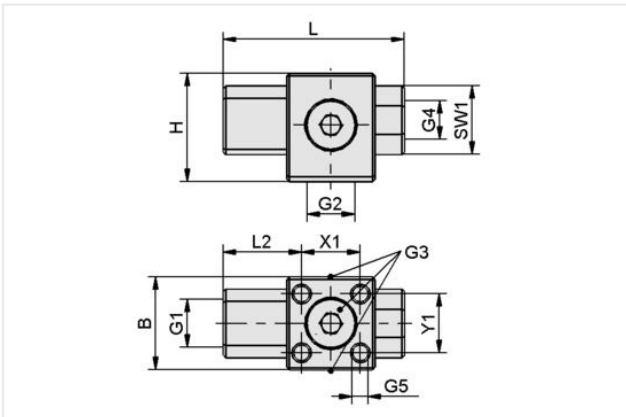
Thread G2: G1/8"-F

Compressed-air connection: G1/8"-F

Suction cup connection: G1/8"-F

Vacuum connection: G1/8"-F

Design Data



Attribute	Value
B	19 mm
G1	G1/8"-F
G2	G1/8"-F
G3	G1/8"-F
G4	M8x0.5-F
G5	M4-F
H	22 mm
L	37 mm
L2	16 mm
SW1	14 mm
X1	12 mm
Y1	12 mm

Technical Data

Attribute	Value
Material	Aluminum
Weight	28 g

Accessories

Contact Schmalz

Schmalz Sp.z.o.o. | ul. Fabianowska 131/A1, 62-052 Komorniki, Poland | +48 61 628 67 70 | schmalz@schmalz.pl

Schmalz Fixation Element

SFE 7 AL

Part no...:10.02.01.01464

<https://www.schmalz.com/10.02.01.01464>



BEF-WIN 30x40x25.5 4 SFE-7

Part no...:10.08.03.00313

Width B: 30 mm

Height H: 40 mm

Length L: 25.5 mm

Construction use: Schmalz Fixation Element

Size: 7