

Bellows suction cups (round)

SAXB 80 ED-85 G3/8-AG

Part no.:10.01.42.00014

<https://www.schmalz.com/10.01.42.00014>

Home > Vacuum Technology for Automation > Vacuum Components > Vacuum Suction Cups > Suction Cups for Handling Sheet Metal > Bellows suction cups SAXB > SAXB 80 ED-85 G3/8-AG

High-speed bellows suction cup for adaptation to strongly curved and oiled surfaces



Size: 80

Suction cup material: Elastodur

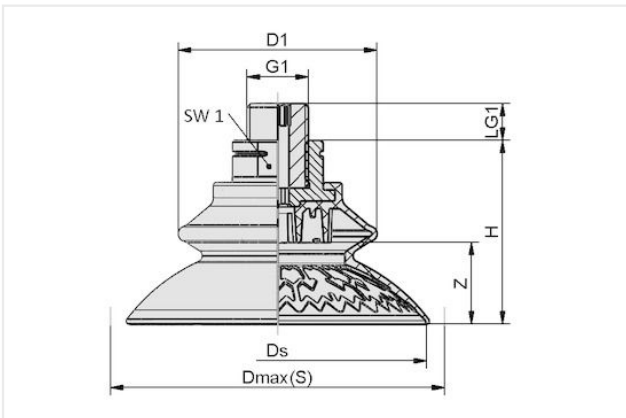
Material hardness [Shore A]: 85 Shore A

Nipple material: Aluminum

Connection: G3/8-AG

Number of folds: 1.5

Design Data



Attribute	Value
dn	6.10 mm
Dmax(S)	91 mm
Ds	81 mm
D1	54.10 mm
G1	G3/8"-M
H	50 mm
LG1	10 mm
SW1	22 mm
Z (Stroke)	22.20 mm

Technical Data

Attribute	Value
Suction force (-600mbar)	150 N
Lateral force	176 N
Lateral force (oily surface)	155 N
Volume	70.70 cm ³
Curve radius (min) (convex)	32.50 mm
Hose diameter (empf.) d	6 mm
Size	80
Connection	G3/8"-M

Contact Schmalz

Schmalz Sp.z.o.o. | ul. Fabianowska 131/A1, 62-052 Komorniki, Poland | +48 61 628 67 70 | schmalz@schmalz.pl

Bellows suction cups (round)

SAXB 80 ED-85 G3/8-AG

Part no...:10.01.42.00014

<https://www.schmalz.com/10.01.42.00014>

Number of folds	1.50
Suction cup material	Elastodur
Material hardness [Shore A]	85 Shore A
Weight	50.10 g
Product family	SAXB
