

## Bell suction cup (round)

SAX 100 ED-85 M10-AG

Part no...:10.01.19.00225

<https://www.schmalz.com/10.01.19.00225>

Home > Vacuum Technology for Automation > Vacuum Components > Vacuum Suction Cups > Suction Cups for Handling Sheet Metal > Bell-Shaped Suction Cups SAX > SAX 100 ED-85 M10-AG

### Bell suction cup (round) for best adaptation to strongly curved surfaces



Size: 100

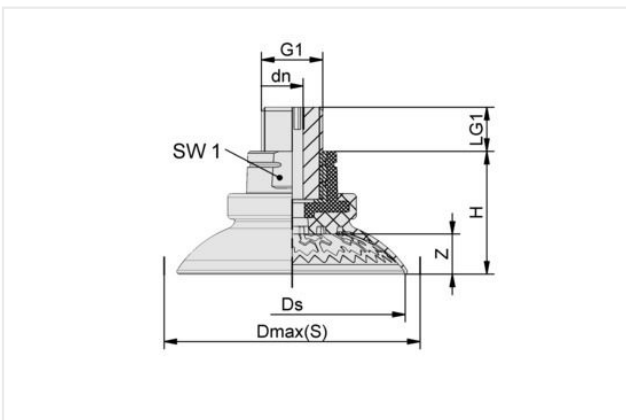
Suction cup material: Elastodur

Material hardness [Shore A]: 85 Shore A

Connection: M10-M

Number of folds: 0

### Design Data



Attribute	Value
dn	4.10 mm
Dmax(S)	111.10 mm
Ds	100.10 mm
G1	M10-M
H	39.70 mm
LG1	14.50 mm
SW1	22 mm
Z (Stroke)	17.30 mm

### Technical Data

Attribute	Value
Suction force (-600mbar)	412 N
Lateral force	284 N
Lateral force (oily surface)	414 N
Volume	96 cm <sup>3</sup>
Curve radius (min) (convex)	40 mm
Size	100
Connection	M10-M
Number of folds	0

### Contact Schmalz

Schmalz Sp.z.o.o. | ul. Fabianowska 131/A1, 62-052 Komorniki, Poland | +48 61 628 67 70 | [schmalz@schmalz.pl](mailto:schmalz@schmalz.pl)



## Bell suction cup (round)

SAX 100 ED-85 M10-AG

Part no...:10.01.19.00225

<https://www.schmalz.com/10.01.19.00225>

Suction cup material	Elastodur
Material hardness [Shore A]	85 Shore A
Weight	60 g
Product family	SAX

---

### Contact Schmalz

Schmalz Sp.z.o.o. | ul. Fabianowska 131/A1, 62-052 Komorniki, Poland | +48 61 628 67 70 | [schmalz@schmalz.pl](mailto:schmalz@schmalz.pl)