

Bell suction cup (round)

SAX 115 ED-85 G1/4-AG

Part no...:10.01.19.00219

<https://www.schmalz.com/10.01.19.00219>

Home > Vacuum Technology for Automation > Vacuum Components > Vacuum Suction Cups > Suction Cups for Handling Sheet Metal > Bell-Shaped Suction Cups SAX > SAX 115 ED-85 G1/4-AG

Bell suction cup (round) for best adaptation to strongly curved surfaces



Size: 115

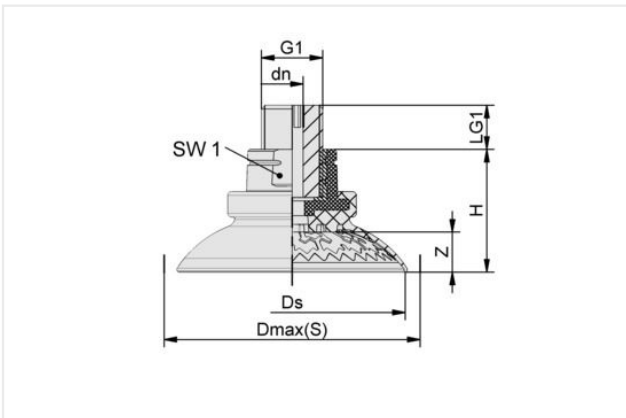
Suction cup material: Elastodur

Material hardness [Shore A]: 85 Shore A

Connection: G1/4"-M

Number of folds: 0

Design Data



Attribute	Value
dn	6.10 mm
Dmax(S)	129.40 mm
Ds	116 mm
G1	G1/4"-M
H	42.60 mm
LG1	14.50 mm
SW1	22 mm
Z (Stroke)	20.20 mm

Technical Data

Attribute	Value
Suction force (-600mbar)	549 N
Lateral force	390 N
Lateral force (oily surface)	584 N
Volume	142 cm ³
Curve radius (min) (convex)	50 mm
Size	115
Connection	G1/4"-M
Number of folds	0

Contact Schmalz

Schmalz Sp.z.o.o. | ul. Fabianowska 131/A1, 62-052 Komorniki, Poland | +48 61 628 67 70 | schmalz@schmalz.pl



Bell suction cup (round)

SAX 115 ED-85 G1/4-AG

Part no...:10.01.19.00219

<https://www.schmalz.com/10.01.19.00219>

Suction cup material	Elastodur
Material hardness [Shore A]	85 Shore A
Weight	73 g
Product family	SAX

Contact Schmalz

Schmalz Sp.z.o.o. | ul. Fabianowska 131/A1, 62-052 Komorniki, Poland | +48 61 628 67 70 | schmalz@schmalz.pl