

## Bellows suction cups (round)

FSGC 60 NBR-55 G3/8-IG

Part no...:10.01.06.05665

<https://www.schmalz.com/10.01.06.05665>

Home > Vacuum Technology for Automation > Vacuum Components > Vacuum Suction Cups > Suction Cups for the Packaging Industry > Bellows Suction Cups FSGC > FSGC 60 NBR-55 G3/8-IG

### Bellow suction cup (round) for logistics applications for handling a wide range of workpieces



Size: 60

Suction cup material: Nitrile rubber NBR

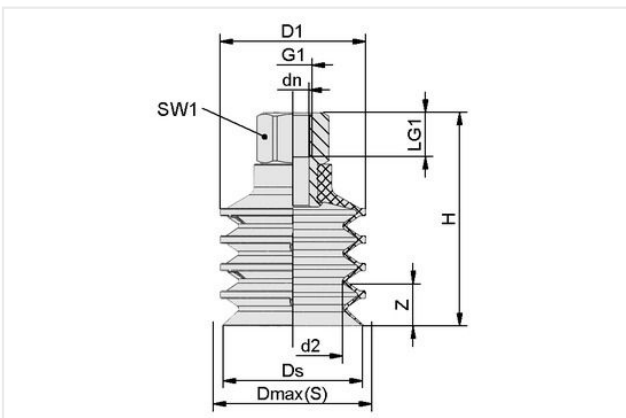
Material hardness [Shore A]: 55 Shore A

Nipple material: Aluminum

Vacuum connection: G3/8"-F

Number of folds: 4.5

### Design Data



Attribute	Value
Z (Stroke)	32 mm
H	82 mm
Vacuum connection	G3/8"-F
D1	60 mm
d2	41.50 mm
Ds	58 mm
Dmax(S)	61 mm
dn	15 mm
G1	G3/8"-F
G1	G3/8-IG
LG1	12 mm
SW1	27 mm

### Technical Data

Attribute	Value
Number of folds	4.50
Size	60
Suction cup material	Nitrile rubber NBR
Suction force (-600mbar)	80 N
Product family	FSGC
Material hardness [Shore A]	55 Shore A

### Contact Schmalz

Schmalz Sp.z.o.o. | ul. Fabianowska 131/A1, 62-052 Komorniki, Poland | +48 61 628 67 70 | [schmalz@schmalz.pl](mailto:schmalz@schmalz.pl)

## Bellows suction cups (round)

FSGC 60 NBR-55 G3/8-IG

Part no.:10.01.06.05665

<https://www.schmalz.com/10.01.06.05665>

Nipple material	Aluminum
Pull-off force (real)	84 N
Volume	80.20 cm <sup>3</sup>
Hose diameter (empf.) d	12 mm

### Spare parts



#### FGC 60 NBR-55 SC090

Part no.:10.01.06.05241

Size: 60

Suction cup material: Nitrile rubber NBR

Material hardness [Shore A]: 55 Shore A

Nipple family: SC090

Number of folds: 4.5



#### SC 090 G3/8-IG

Part no.:10.01.06.03274

Connection geometry: 090

Vacuum connection: G3/8"-F

Length L1: 37.5 mm

Fitting length: 21.5 mm

Nominal diameter dn: 15 mm