

## Bellows suction cups (round)

FSGC 40 NBR-55 G3/8-AG

Part no...:10.01.06.05654

<https://www.schmalz.com/10.01.06.05654>

Home > Vacuum Technology for Automation > Vacuum Components > Vacuum Suction Cups > Suction Cups for the Packaging Industry > Bellows Suction Cups FSGC > FSGC 40 NBR-55 G3/8-AG

### Bellow suction cup (round) for logistics applications for handling a wide range of workpieces



Size: 40

Suction cup material: Nitrile rubber NBR

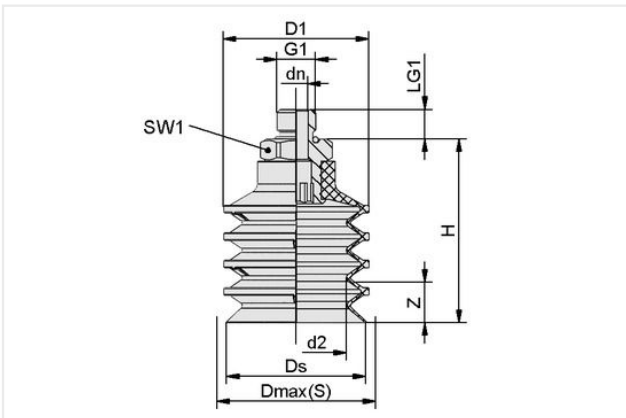
Material hardness [Shore A]: 55 Shore A

Nipple material: Aluminum

Vacuum connection: G3/8"-M

Number of folds: 4.5

### Design Data



Attribute	Value
Z (Stroke)	25 mm
H	54.50 mm
Vacuum connection	G3/8"-M
D1	39 mm
d2	27.50 mm
Ds	39 mm
Dmax(S)	41 mm
dn	10.30 mm
G1	G3/8"-M
G1	G3/8-AG
LG1	10 mm
SW1	22 mm

### Technical Data

Attribute	Value
Number of folds	4.50
Size	40
Suction cup material	Nitrile rubber NBR
Suction force (-600mbar)	35 N
Product family	FSGC
Material hardness [Shore A]	55 Shore A

### Contact Schmalz

Schmalz Sp.z.o.o. | ul. Fabianowska 131/A1, 62-052 Komorniki, Poland | +48 61 628 67 70 | [schmalz@schmalz.pl](mailto:schmalz@schmalz.pl)

## Bellows suction cups (round)

FSGC 40 NBR-55 G3/8-AG

Part no.:10.01.06.05654

<https://www.schmalz.com/10.01.06.05654>

Nipple material	Aluminum
Pull-off force (real)	37 N
Volume	29.10 cm <sup>3</sup>
Hose diameter (empf.) d	9 mm

### Spare parts



#### FGC 40 NBR-55 SC080

Part no.:10.01.06.04863

Size: 40

Suction cup material: Nitrile rubber NBR

Material hardness [Shore A]: 55 Shore A

Nipple family: SC080

Number of folds: 4.5



#### SC 080 G3/8-AG

Part no.:10.01.06.02593

Connection geometry: 080

Vacuum connection: G3/8"-M

Length L1: 32 mm

Fitting length: 7.5 mm

Nominal diameter dn: 10.3 mm