

Bellows suction cups (round)

FSGC 50 NBR-55 G1/4-AG

Part no...:10.01.06.05020

<https://www.schmalz.com/10.01.06.05020>

Home > Vacuum Technology for Automation > Vacuum Components > Vacuum Suction Cups > Suction Cups for the Packaging Industry > Bellows Suction Cups FSGC > FSGC 50 NBR-55 G1/4-AG

Bellow suction cup (round) for logistics applications for handling a wide range of workpieces



Size: 50

Suction cup material: Nitrile rubber NBR

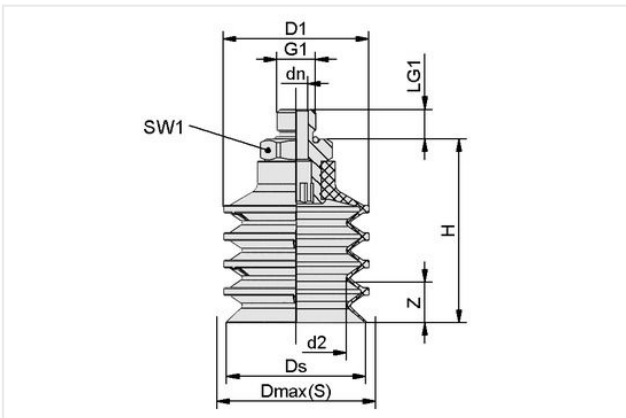
Material hardness [Shore A]: 55 Shore A

Nipple material: Aluminum

Vacuum connection: G1/4"-M

Number of folds: 4.5

Design Data



Attribute	Value
Z (Stroke)	31 mm
H	62.50 mm
Vacuum connection	G1/4"-M
D1	49.50 mm
d2	34.50 mm
Ds	47 mm
Dmax(S)	51 mm
dn	8 mm
G1	G1/4"-M
G1	G1/4-AG
LG1	10 mm
SW1	22 mm

Technical Data

Attribute	Value
Number of folds	4.50
Size	50
Suction cup material	Nitrile rubber NBR
Suction force (-600mbar)	55 N
Product family	FSGC
Material hardness [Shore A]	55 Shore A

Contact Schmalz

Schmalz Sp.z.o.o. | ul. Fabianowska 131/A1, 62-052 Komorniki, Poland | +48 61 628 67 70 | schmalz@schmalz.pl

Bellows suction cups (round)

FSGC 50 NBR-55 G1/4-AG

Part no.:10.01.06.05020

<https://www.schmalz.com/10.01.06.05020>

Nipple material	Aluminum
Pull-off force (real)	59 N
Volume	52.40 cm ³
Hose diameter (empf.) d	9 mm

Spare parts



FGC 50 NBR-55 SC080

Part no.:10.01.06.04920

Size: 50

Suction cup material: Nitrile rubber NBR

Material hardness [Shore A]: 55 Shore A

Nipple family: SC080

Number of folds: 4.5



SC 080 G1/4-AG

Part no.:10.01.06.03268

Connection geometry: 080

Vacuum connection: G1/4"-M

Length L1: 32 mm

Fitting length: 7.5 mm

Nominal diameter dn: 8 mm